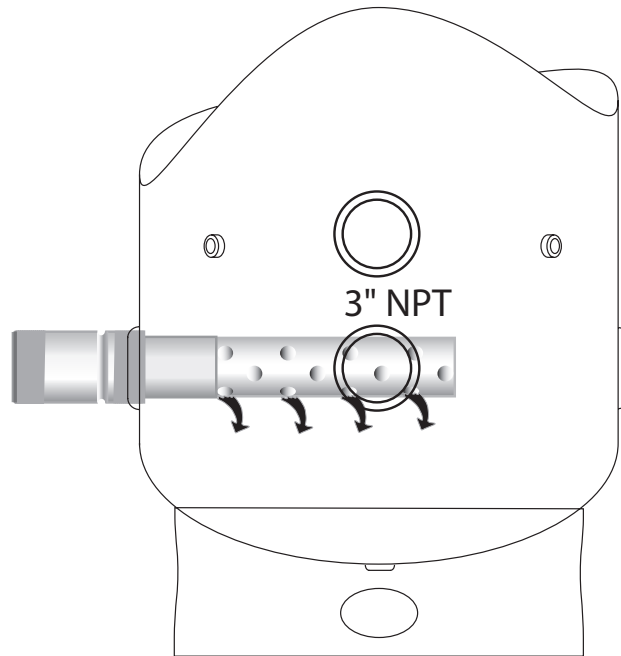
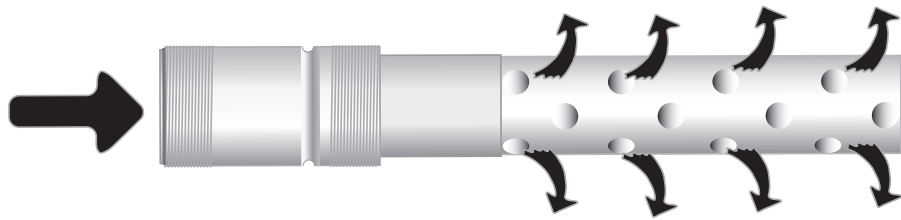




Temperature Stratification Baffle

*The Temperature Stratification Baffle controls the dispersal of incoming cold water to maintain a constant outlet temperature for 80% of delivered tank volume. The baffle is an optional accessory for **BOCK**® large volume ASME storage tanks.*



WE TAKE WATER HEATERS PERSONALLY

bockwaterheaters.com
110 South Dickinson Street Madison, Wisconsin 53703
Toll Free 800-794-2491 • Phone 608-257-2225 • Fax 608-257-5304