



## Outdoor Modulating Condensing Commercial Water Heaters

*Maximize Your Space In Climate Acceptable Areas*

■ Five-Year Limited Tank/Heat Exchanger Warranty  
– THE INDUSTRY'S FINEST

### OptiTherm® for Optimal Thermal Efficiency:

- Maximum inputs from 125,000 to 500,000 BTU/hr  
– Fully modulating from as low as 60,000 BTU/hr
- Up to 6:1 turndown ratio
- 99/100/125 gallon capacities
- Up to 99% thermal efficiency
- Automatic cathodic corrosion protection system  
– No sacrificial anode rods
- Pre-vented - only gas/water connections required
- LCD user interface with optional BMS interface
- Ecomate® insulation
- Glass-fused-to-steel water tank and heat exchanger
- SCAQMD certified Ultra-Low NOx
- Natural gas or propane fuel
- Stealth Quiet™ operation
- Ideal for dry, warm climates
- UL Listed to ANSI Z21.10.3-CSA 4.3 for outdoor use - resists entry of water in accordance with industry standard

### Turboflue® High Performance Heat Exchanger:

- Patented helical-fin multi-stage design
- Superior heat conduction and fuel efficiency

Made in the USA



**OPTITHERM®**  
**OUTDOOR**

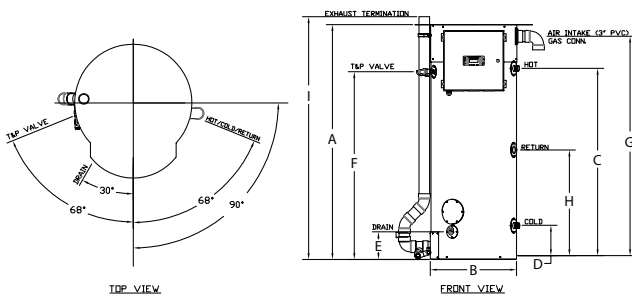
*BUILT LIKE A BOCK*

## Storage, Inputs, Recovery & Efficiency

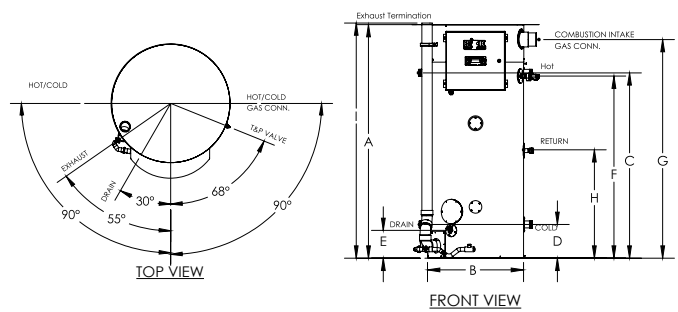
Model	Storage GAL (L)	Max. Rated Input BTU/HR (KW)	Min. Rated Input BTU/HR (KW)	Recovery @ 100°F Rise GAL/HR (L/HR)	1st Hr. Del. @ 100°F Rise GAL (L)	Thermal Efficiency @ Max Input (%)	Thermal Efficiency @ Min Input (%)
ODOT125N	99 (375)	125,000 (36.6)	60,000 (17.6)	144 (545)	213 (806)	96	99
ODOT150N	99 (375)	150,000 (44.0)	60,000 (17.6)	173 (655)	242 (916)	96	99
ODOT199N	99 (375)	199,000 (58.3)	60,000 (17.6)	229 (867)	299 (1,132)	96	99
ODOT200N-(A)	100 (378)	199,999 (58.6)	76,000 (22.3)	228 (863)	298 (1,128)	95	98
ODOT250N-(A)	100 (378)	250,000 (73.3)	76,000 (22.3)	282 (1,067)	352 (1,332)	94	98
ODOT299N-(A)	100 (378)	299,999 (87.9)	76,000 (22.3)	334 (1,264)	404 (1,529)	93	98
ODOT300N2-(A)	125 (473)	300,000 (87.9)	80,000 (23.4)	357 (1,351)	480 (1,817)	99	99
ODOT400N2-(A)	125 (473)	399,999 (117.2)	80,000 (23.4)	466 (1,764)	587 (2,222)	97	99
ODOT500N2-(A)	125 (473)	500,000 (146.5)	80,000 (23.4)	576 (2,180)	696 (2,635)	96	99

**NOTE: ODOT 300/400/500 available with 119 gallon Non-ASME version.**

**NOTE: All OptiTherms available as high altitude models.**



ODOT125/ODOT150/ODOT199



ODOT200/ODOT250/ODOT299/ODOT300/ODOT400/ODOT500

**Note: ODOT200/250/299 are Rear Venting**

**ODOT 300/400/500 are Front Venting as Shown**

## Dimensions and Connections

Model	Dimensions in Inches (cm)									Cold NPT	Hot NPT	Recirc. Return NPT	Gas NPT	Shipping Weight LBS (kg)
	A	B	C	D	E	F	G	H	I					
ODOT125N	78.50 (199)	28.00 (71)	63.50 (161)	11.25 (29)	9.19 (23)	62.43 (159)	74.25 (189)	36.43 (93)	80.75 (205)	1.5"	1.5"	1"	3/4"	755 (343)
ODOT150N	78.50 (199)	28.00 (71)	63.50 (161)	11.25 (29)	9.19 (23)	62.43 (159)	74.25 (189)	36.43 (93)	80.75 (205)	1.5"	1.5"	1"	3/4"	755 (343)
ODOT199N	78.50 (199)	28.00 (71)	63.50 (161)	11.25 (29)	9.19 (23)	62.43 (159)	74.25 (189)	36.43 (93)	80.75 (205)	1.5"	1.5"	1"	3/4"	755 (343)
ODOT200N-(A)	67.25 (171)	32.00 (81)	51.53 (131)	11.43 (29)	9.43 (24)	50.18 (127)	62.75 (159)	NA	69.50 (177)	2"	2"	NA	1"	1,195 (542)
ODOT250N-(A)	67.25 (171)	32.00 (81)	51.53 (131)	11.43 (29)	9.43 (24)	50.18 (127)	62.75 (159)	NA	69.50 (177)	2"	2"	NA	1"	1,195 (542)
ODOT299N-(A)	67.25 (171)	32.00 (81)	51.53 (131)	11.43 (29)	9.43 (24)	50.18 (127)	62.75 (159)	NA	69.50 (177)	2"	2"	NA	1"	1,195 (542)
ODOT300N2-(A)	78.80 (200)	32.50 (82)	62.75 (159)	11.40 (29)	9.40 (24)	61.70 (156)	74.00 (188)	36.30 (92)	79.66 (202)	2"	2"	1"	1.5"	1,185 (539)
ODOT400N2-(A)	78.80 (200)	32.50 (82)	62.75 (159)	11.40 (29)	9.40 (24)	61.70 (156)	74.00 (188)	36.30 (92)	79.66 (202)	2"	2"	1"	1.5"	1,185 (539)
ODOT500N2-(A)	78.80 (200)	32.50 (82)	62.75 (159)	11.40 (29)	9.40 (24)	61.70 (156)	74.00 (188)	36.30 (92)	79.66 (202)	2"	2"	1"	1.5"	1,185 (539)

**NOTE: Change the suffix from "N" to "LP" to designate liquid propane.**

**NOTE: High altitude available up to 5,400 ft, i.e. "H25"**

**NOTE: "A" denotes ASME construction.**

**T&P valve and brass drain valve factory installed.**

**Standard Voltage (all): 120V, 60 Hz, 1P**

**Maximum Working Pressure: 150 psi (1034 kPa)**



(on selected models)



NSF/ANSI 5



These models meet or exceed current ASHRAE standards.

**Warning:** Installation should be in accordance with all national and/or local codes. In the absence of local codes, refer to NFPA 54 or CSA B149.1.

**Caution:** The recommended maximum hot water temperature setting for normal residential use is 120°F. Bock recommends a tempering valve or anti-scald valve be installed and used according to the manufacturer's directions to prevent scalding.

www.bockwaterheaters.com

110 South Dickinson Street Madison, Wisconsin 53703

Toll Free 800-794-2491 • Phone 608-257-2225 • Fax 608-257-5304

Doc# XXXXX