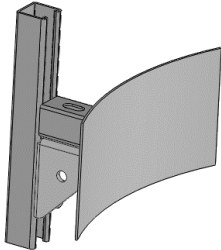
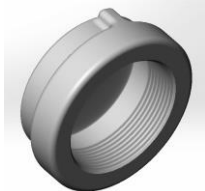




ADDENDUM A ALTERNATE SEISMIC RESTRAINT METHOD

The following is an alternate method of installing seismic restraints on Bock *optiTHERM*® water heaters. This method utilizes factory supplied parts to eliminate the need for assembling offset framing in the field. As recommended in the Installation and Operation Instructions Manual, use the Holdrite Quick Strap® QS-120 (or equivalent) strapping system. The Holdrite QS-120 is approved by the California Division State Architect and is UPC/IPC/IAPMO listed. Locate the two metal straps within the upper and lower third of the tank.

Required Parts

<p>Seismic standoff – factory supplied in seismic standoff kit (Kit part #25800) (Qty. 2)</p>	
<p>2" NPT pipe cap – factory supplied with each water heater (Qty. 2)</p>	
<p>Holdrite Quick Strap® QS-120 Strap Kit – field supplied (Qty. 1)</p>	
<p>3/8" x 2-1/2" lag screws w/ washers – factory supplied in seismic standoff kit (Qty. 4)</p>	

Installation

Step 1: Locate seismic standoffs on wall at heights of 14" and 48" for models OT300-500 and 14" and 36" for models OT200-299. Heights are measured from the floor to the bottom of the vertical strut. Use a wall stud for mounting.

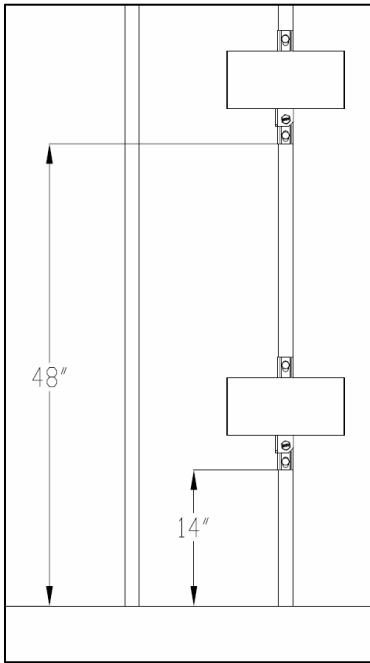


Figure 1: Locating the standoffs

Step 2: Mount seismic standoffs to the wall stud with lag screws and washers. Use two lag screws and washers per spacer.

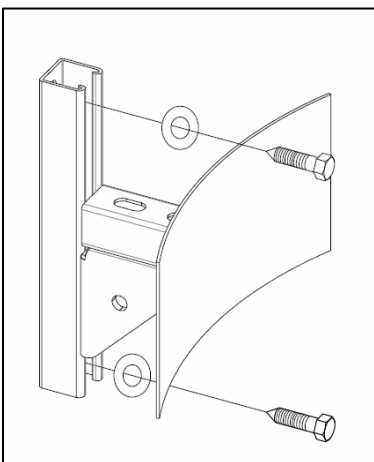


Figure 2: Mounting the standoffs

Step 3: If necessary, install pipe caps over the Hot and Cold connections on the left side of the unit before positioning water heater against standoffs. If oriented per Figure 5 in the following step, it's recommended that the caps are installed prior to final positioning.

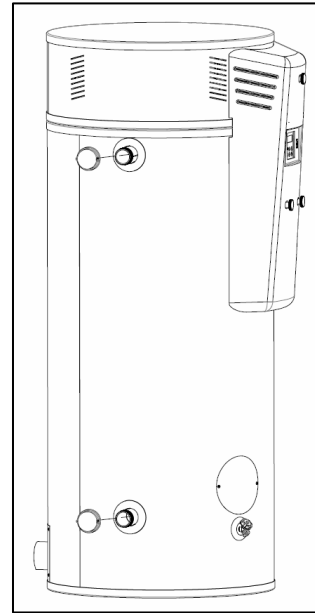


Figure 3: Install pipe caps (if necessary)

Step 4: Position water heater against the standoffs.

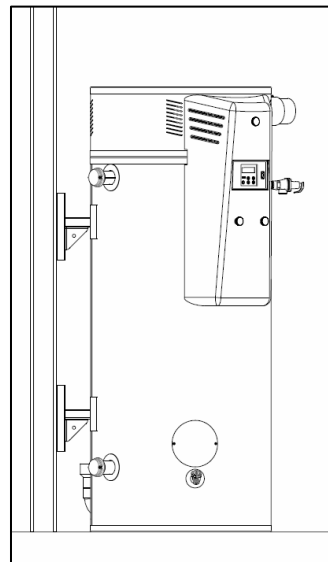


Figure 4: Positioning against standoffs

The water heater shall be oriented between a 50° and 90° angle of rotation (assuming the back of the unit is initially facing the wall). Figures 5 and 6 show the unit positioned at these angles. If the unit is positioned as in Figure 5, the condensate discharge may be pointed to the left or right side of the water heater.

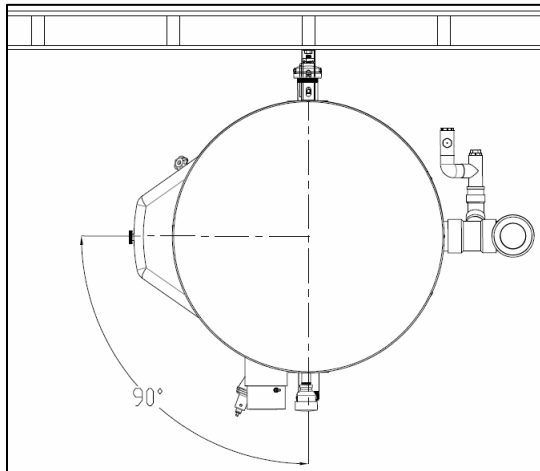


Figure 5: 90-deg orientation

If the unit is positioned as in Figure 6, it allows the front of the water heater to be more visible from the middle of a room. In this case, the condensate discharge must be pointed to the right side of the water heater. This allows for proper maintenance clearance between the condensate trap and the wall.

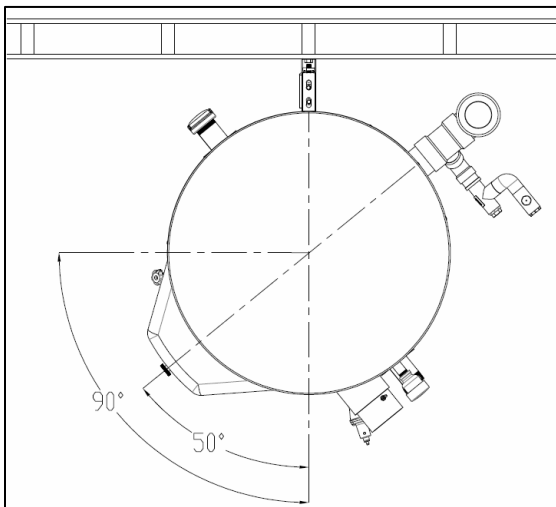


Figure 6: 50-deg orientation

Step 5: Assemble straps around water heater and screw straps into wall studs on either side. Refer to the instructions provided with the strap kit.

Position the straps in the lower and upper third of the water heater tank. The front cover will need to be removed to locate the upper strap.

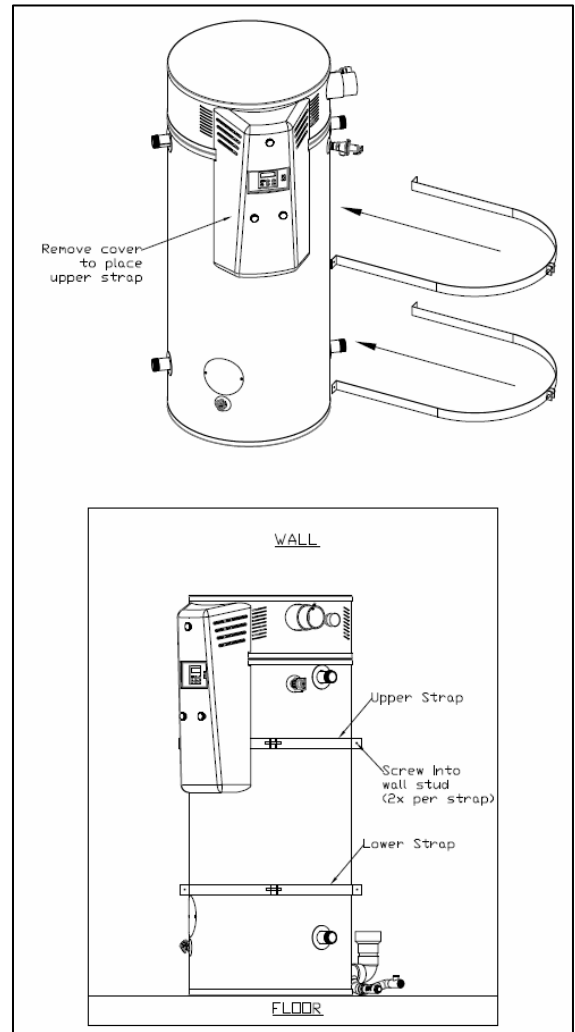


Figure 7: Locating straps