



NEW

High Volume Heat Pump Compatible Storage Tanks

■ Five-Year Limited Tank Warranty

- Maximizes domestic hot water delivery
- 250/500/750/1,000 gallon capacities
- Available in:
 - *Single Glass Lining*
 - *Double Glass Lining*
 - *Duplex Stainless Steel*
- Works with single and multi pass heat pumps
- Diffuser system maximizes hot water in the tank
 - *Diffuser at cold water inlet at bottom of tank*
 - *Diffuser at hot water outlet at top of tank*
- 3" connections to maximize flow
- Multiple thermal wells for accurate monitoring and control
- R32 insulation to minimize heat loss
 - *Exceeds Seattle Energy Code requirement for storage tank insulation*
- Maximum height of 90" for ease of installation
- Outdoor Rated
- Standard foot lugs for seismic restraint
 - *Lug customization available based on zip code*

Made in the USA

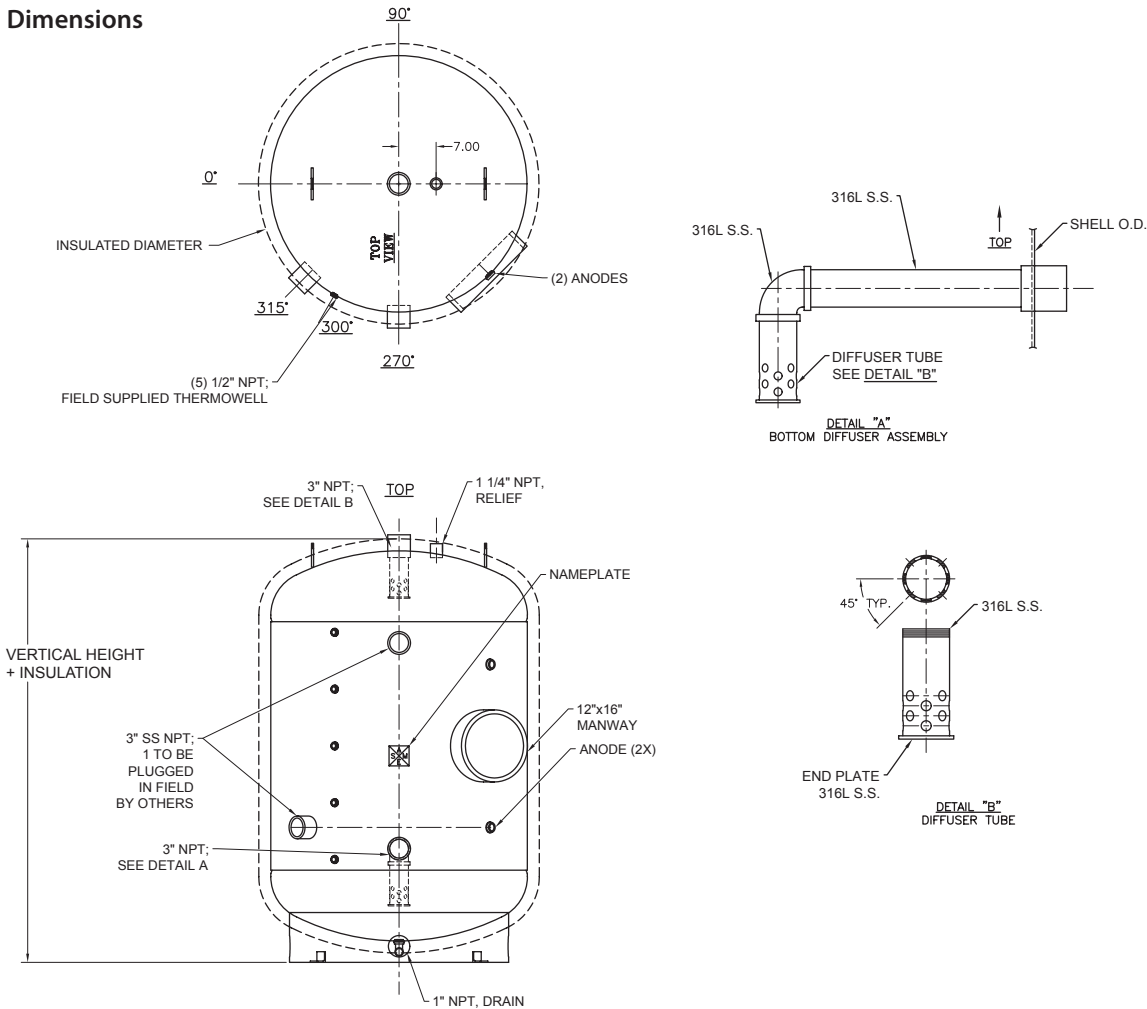


BUILT LIKE A BOCK



High Volume Heat Pump Compatible Storage Tanks

Dimensions



Specifications and Dimensions

| BOCK Model | Actual Storage (gal) | Vertical Height + Insulation (in) | Insulated Diameter (in) | Total R-value | Working Pressure (PSI) |
|--------------|----------------------|-----------------------------------|-------------------------|---------------|------------------------|
| 250ST-HP-SG | 285 | 81 | 46 | 32 | 150 |
| 250ST-HP-DG | 285 | 81 | 46 | 32 | 150 |
| 250ST-HP-DX | 285 | 81 | 46 | 32 | 150 |
| 500ST-HP-SG | 500 | 82 | 58 | 32 | 150 |
| 500ST-HP-DG | 500 | 82 | 58 | 32 | 150 |
| 500ST-HP-DX | 500 | 82 | 58 | 32 | 150 |
| 750ST-HP-SG | 750 | 82 | 70 | 32 | 150 |
| 750ST-HP-DG | 750 | 82 | 70 | 32 | 150 |
| 750ST-HP-DX | 750 | 82 | 70 | 32 | 150 |
| 1000ST-HP-SG | 1142 | 88 | 82 | 32 | 150 |
| 1000ST-HP-DG | 1142 | 88 | 82 | 32 | 150 |
| 1000ST-HP-DX | 1142 | 88 | 82 | 32 | 150 |

HP = Heat Pump SG = Single Glass Lining DG = Double Glass Lining DX = Duplex Stainless Steel

bockwaterheaters.com

110 South Dickinson Street Madison, Wisconsin 53703

Toll Free 800-794-2491 • Phone 608-257-2225 • Fax 608-257-5304

© 2022 Bock Water Heaters