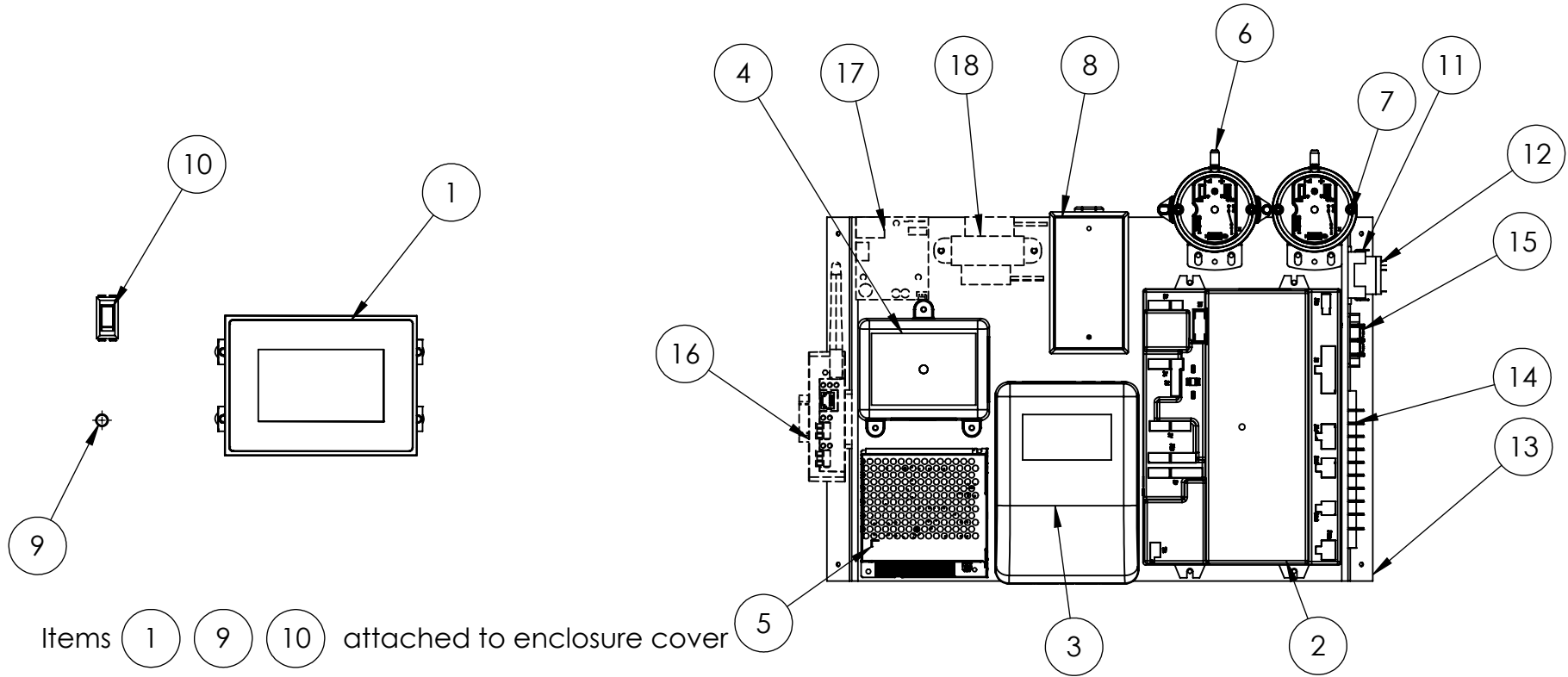


PARTS FINDER OT600-900*(-A): CONTROL PANEL



ITEM NO.	PART NUMBER	DESCRIPTION
1	19912	Display, OT600-900
2	19907	Control, EPHS 850MN
3	21680	Control, EHPS, 850IF
4	15156	DEV ICCP Control, Magontec
5	15160	Power Supply, 24v/5DC, OT600-900
6	20014	Switch, Blocked Exhaust, NC, 1.7"
7	20012	Switch, Blocked Intake, NC, -2.1"
8	21640	Junction Box
9	15157	Correx Potentiostat LED
10	19858	Switch, Rocker, 125V 20A (CRE22F4FBBNE)

ITEM NO.	PART NUMBER	DESCRIPTION
11	19860	Fuse BLK, 300V 30A
12	19857	Relay, SPDT, 120V, 5 TRM
13	17113	OptiTHERM Control Enclosure Base
14	19855	Terminal BLK, 9 Circuit
15	20531	Terminal Block, 300V AC / 300VDC, 3 circuit
16	20257	Control, ProtoAir, FPA-W44 BACnet (optional)
17	19911	Board, Control, LWCO (optional)
18	21621	Transformer 24V WHT. Rogers (optional)