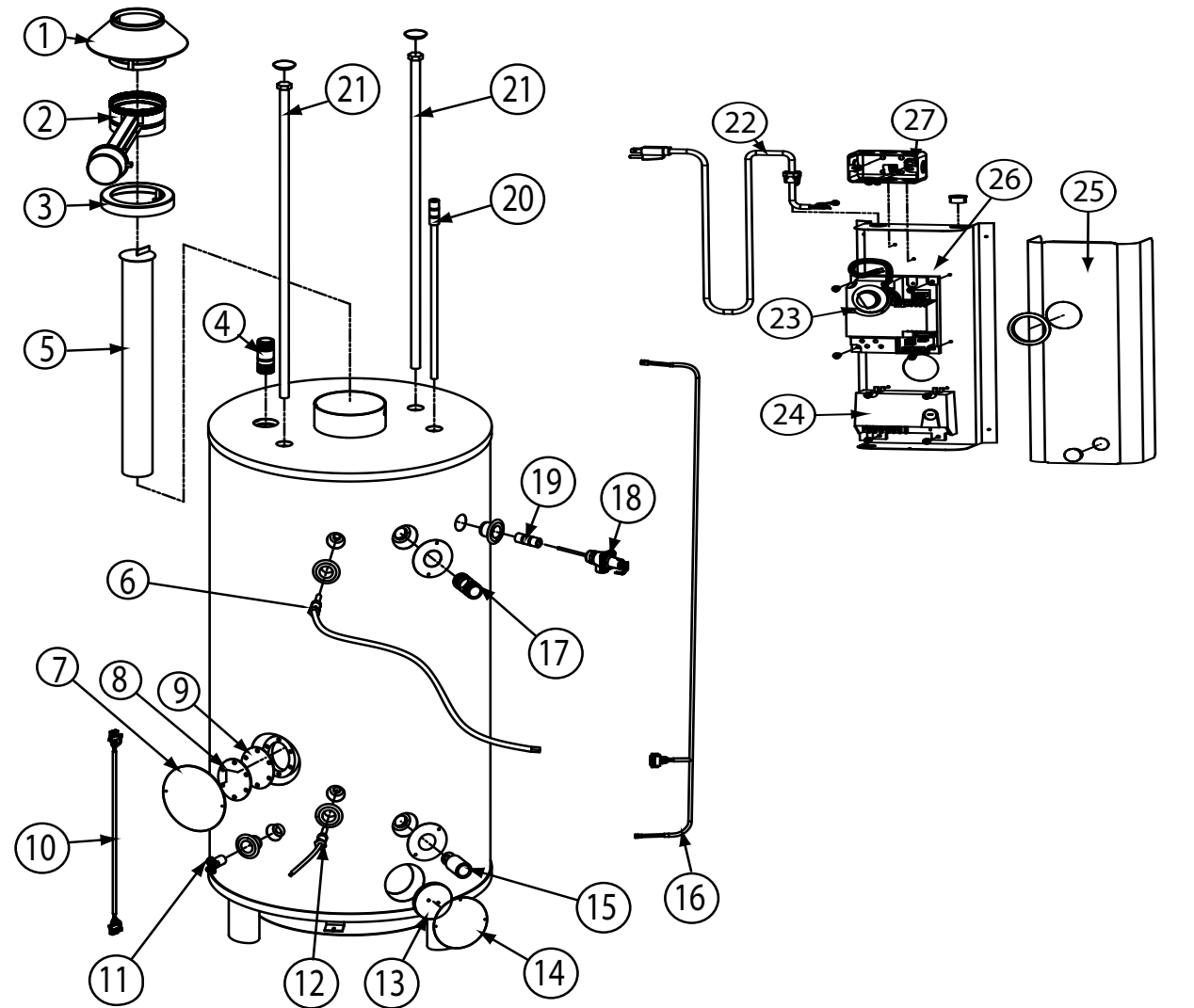


EZFIT EZ90-199 PARTS BREAKDOWN

#	Item #	Description
1	16420	Draft Hood
2	16400	6" Electric Damper
3	16430	8" to 6" Reducer
4	15335	Nipple; 1-1/2"x4"; Plastic Lined
5	16617	17" Baffle
6	21642	Upper Temperature Sensor
7	17190	Hand Hole Jacket Cover
8	27030	Hand Hole Cover
9	27015	Hand Hole Gasket
10	21631	Gas Valve Wire Harness
11	15600	Brass Drain Valve; 3/4"
12	21645	Lower Temperature Sensor
13	18014	Chamber Plug
14	17225	Inspection Hole Jacket Cover
15	15315	Bottom Inlet; 1-1/2"x3"
16	21638	3-Way Damper Harness
17	15335	Nipple; 1-1/2"x4"; Plastic Lined
18	21790	T&P Valve; 3/4"
19	15370	Nipple; 3/4"x3"; Plastic Lined
20	15365	Dip Tube; 1"x4-1/2"x58"; Prior to S/N 11013144
20	15410	Dip Tube; 1-1/2"x4"x58"; S/N 11013144 & After
21	15040	Magnesium Anode Rod; 3/4"x40"

#	Item #	Description
Opt	25557	Natural Gas to LP Conversion Kit
Opt	25545	Leg Extension Kit

#	Item #	Burner Assembly
28	20040	LP Gas Valve
28	20046	Natural Gas Valve
29	20105	Pilot Tube
30	20052	Natural Gas Pilot Orifice
30	20054	LP Pilot Orifice
31	20052	Pilot Ignitor Assembly
32	20076	6" Flame Spreader
33	20066	15" Burner Venturi Tube
34	20090	Gas Orifice



#	Item #	Control Box
22	21647	6' 3" Power Cord
23	21625	White Rodgers Control
24	20057	Honeywell S8600M-3001 Control
25	17205	Control Box Cover
26	17207	Control Box Base
27	21640	Electrical Box with Cover

