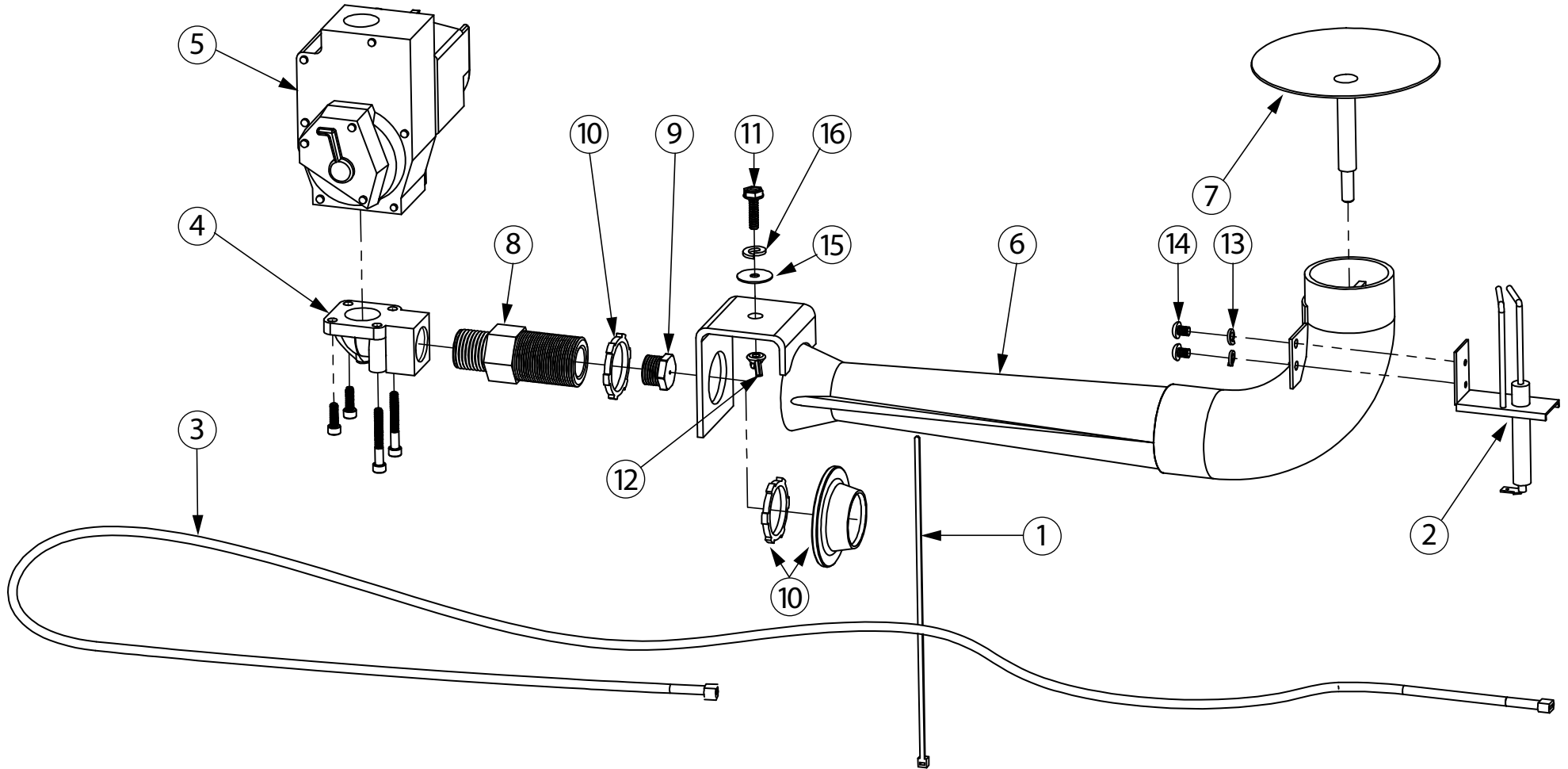


# EZ90-199LP DIRECT SPARK BURNER PARTS BREAKDOWN

Water heater parts and control panel parts are listed on their own ***Parts Finders***.



#	Item #	Description	#	Item #	Description
1	17347	Zip Tie, 7.5" UL94V-0	9	20090	Orifice
2	20027	Igniter, Direct, ezFIT PSE-BK1	10	20100	Air Deflector w/2 Lock Nuts
3	20029	Ignition Cable	11	25010	Bolt, SLT Hex Washer, 10-24 x 3/4"
4	20032	Flange Assembly, Honeywell 393690-13	12	25012	Wing Nut, 10-24
5	20045	Gas Valve, LP, VR8305P2224	13	25087	Lock Washer, #10
6	20066	Burner, 120M Venturi, 15"	14	25110	Screw, Button Head, 10-32 x 1/4"
7	20076	Flame Spreader, 6"	15	25120	Washer, Zinc, 3/16" x 3/4"
8	20085	Orifice Holder	16	25102	Lock Washer, Zinc, 1/4"