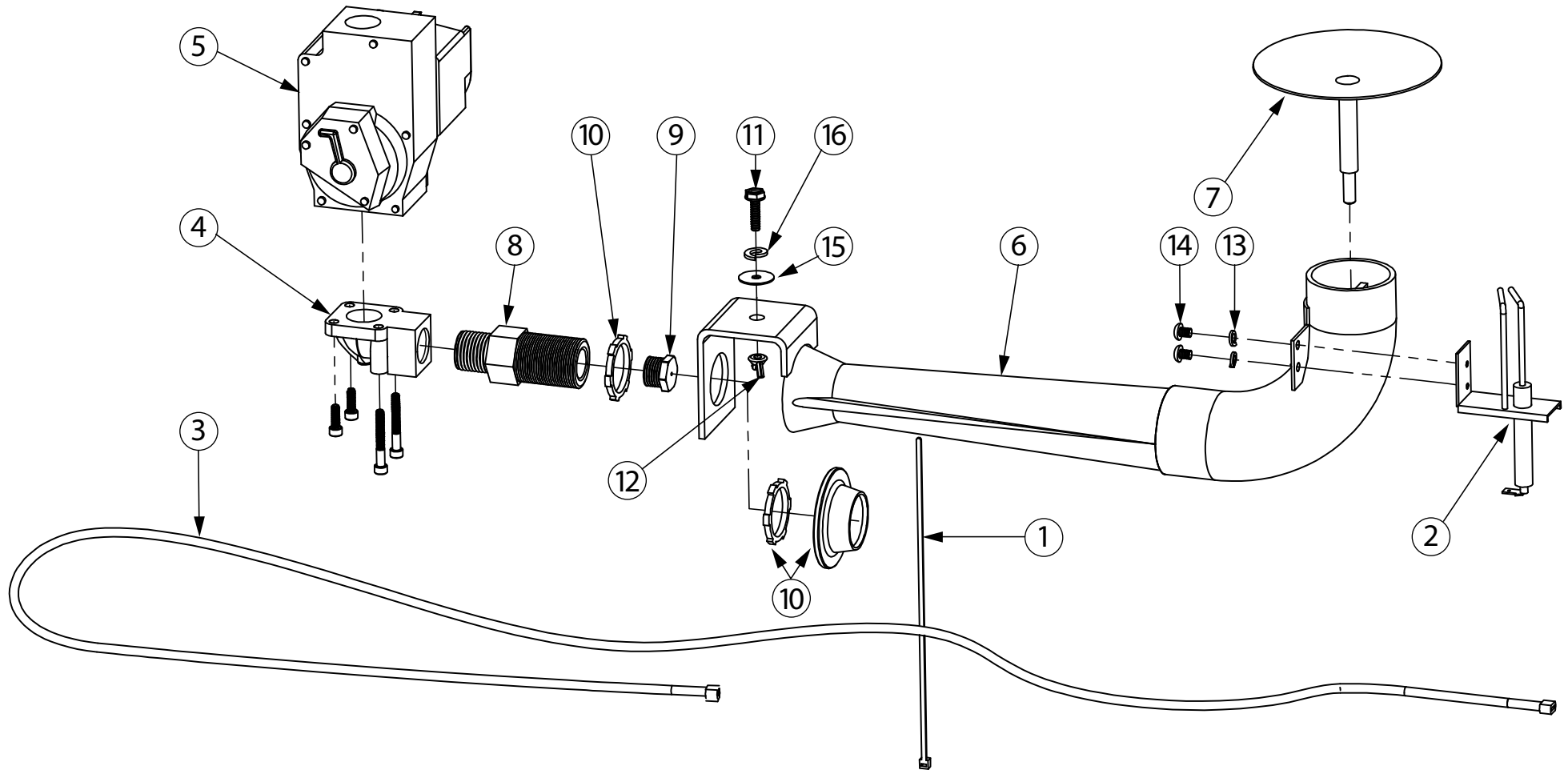


EZ80-199LP DIRECT SPARK BURNER PARTS BREAKDOWN

Water heater parts and control panel parts are listed on their own ***Parts Finders***.



| # | Item # | Description | # | Item # | Description |
|---|--------|--------------------------------------|----|--------|------------------------------------|
| 1 | 17347 | Zip Tie, 7.5" UL94V-0 | 9 | 20090 | Orifice |
| 2 | 20027 | Igniter, Direct, ezFIT PSE-BK1 | 10 | 20100 | Air Deflector w/2 Lock Nuts |
| 3 | 20029 | Ignition Cable | 11 | 25010 | Bolt, SLT Hex Washer, 10-24 x 3/4" |
| 4 | 20032 | Flange Assembly, Honeywell 393690-13 | 12 | 25012 | Wing Nut, 10-24 |
| 5 | 20045 | Gas Valve, LP, VR8305P2224 | 13 | 25087 | Lock Washer, #10 |
| 6 | 20067 | Burner, 160M Venturi, 16" | 14 | 25110 | Screw, Button Head, 10-32 x 1/4" |
| 7 | 20076 | Flame Spreader, 6" | 15 | 25120 | Washer, Zinc, 3/16" x 3/4" |
| 8 | 20085 | Orifice Holder | 16 | 25102 | Lock Washer, Zinc, 1/4" |