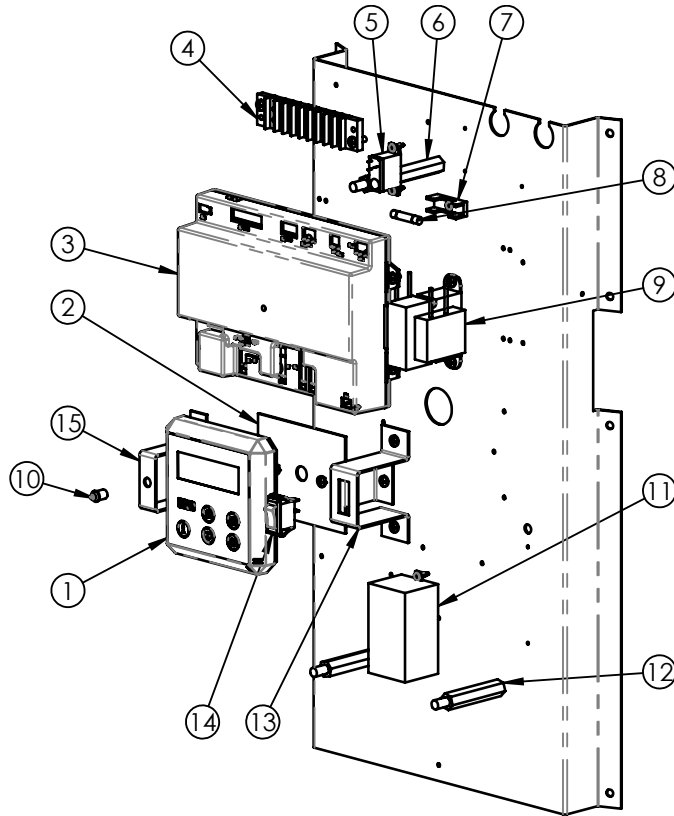


Parts List: OT300-500: Control Panel



#	Description
1	Display, Argus, Replacement, OT300N, OT300N-A (20725)
1	Display, Argus, Replacement, OT300N-H28, OT300N-A-H28 (20727)
1	Display, Argus, Replacement, OT300LP, OT300LP-A (20730)
1	Display, Argus, Replacement, OT300LP-H25, OT300LP-A-H25 (20732)
1	Display, Argus, Replacement, OT300LP-H58, OT300LP-A-H58 (20735)
1	Display, Argus, Replacement, OT400N, OT400N-A (20712)
1	Display, Argus, Replacement, OT400N-H28, OT400N-A-H28 (20715)
1	Display, Argus, Replacement, OT400LP, OT400LP-A (20717)
1	Display, Argus, Replacement, OT400LP-H25, OT400LP-A-H25 (20720)
1	Display, Argus, Replacement, OT400LP-H58, OT400LP-A-H58 (20722)
1	Display, Argus, Replacement OT500N, OT500N-A (20700)
1	Display, Argus, Replacement OT500N-H28, OT500N-A-H28 (20702)
1	Display, Argus, Replacement OT500LP, OT500LP-A (20705)
1	Display, Argus, Replacement OT500LP-H25, OT500LP-A-H25 (20707)
1	Display, Argus, Replacement, OT500LP-H58, OT500LP-A-H58 (20710)
2	Display Bracket

#	Description
3	Control, Argus, Replacement, OT300N, OT300N-A (20812)
3	Control, Argus, Replacement, OT300N-H28, OT300N-A-H28 (20815)
3	Control, Argus, Replacement, OT300LP, OT300LP-A (20817)
3	Control, Argus, Replacement, OT300LP-H25, OT300LP-A-H25 (20820)
3	Control, Argus, Replacement, OT300LP-H58, OT300LP-A-H58 (20822)
3	Control, Argus, Replacement, OT400N, OT400N-A (20800)
3	Control, Argus, Replacement, OT400N-H28, OT400N-A-H28 (20802)
3	Control, Argus, Replacement, OT400LP, OT400LP-A (20805)
3	Control, Argus, Replacement, OT400LP-H25, OT400LP-A-H25 (20807)
3	Control, Argus, Replacement, OT400LP-H58, OT400LP-A-H58 (20810)
3	Control, Argus, Replacement OT500N, OT500N-A (20787)
3	Control, Argus, Replacement, OT500N-H28, OT500N-A-H28 (20790)
3	Control, Argus, Replacement OT500LP, OT500LP-A (20792)
3	Control, Argus, Replacement OT500LP-H25, OT500LP-A-H25 (20795)
3	Control, Argus, Replacement, OT500LP-H58, OT500LP-A-H58 (20797)
4	Terminal Block (19855)

#	Description
5	Relay (19857)
6	Standoff, 3.5 in. length (19865)
7	Fuse Block (19860)
8	Fuse, 5A (delay) (19861)
9	Transformer (120 VAC / 24 VAC) (21621)
10	Powered Anode Status LED
11	Powered Anode Power Supply (15157)
12	Standoff, 2.5 in. length (19862)
13	Power Switch Bracket (17117)
14	Power Switch (for main control) (19858)
15	Anode LED Bracket