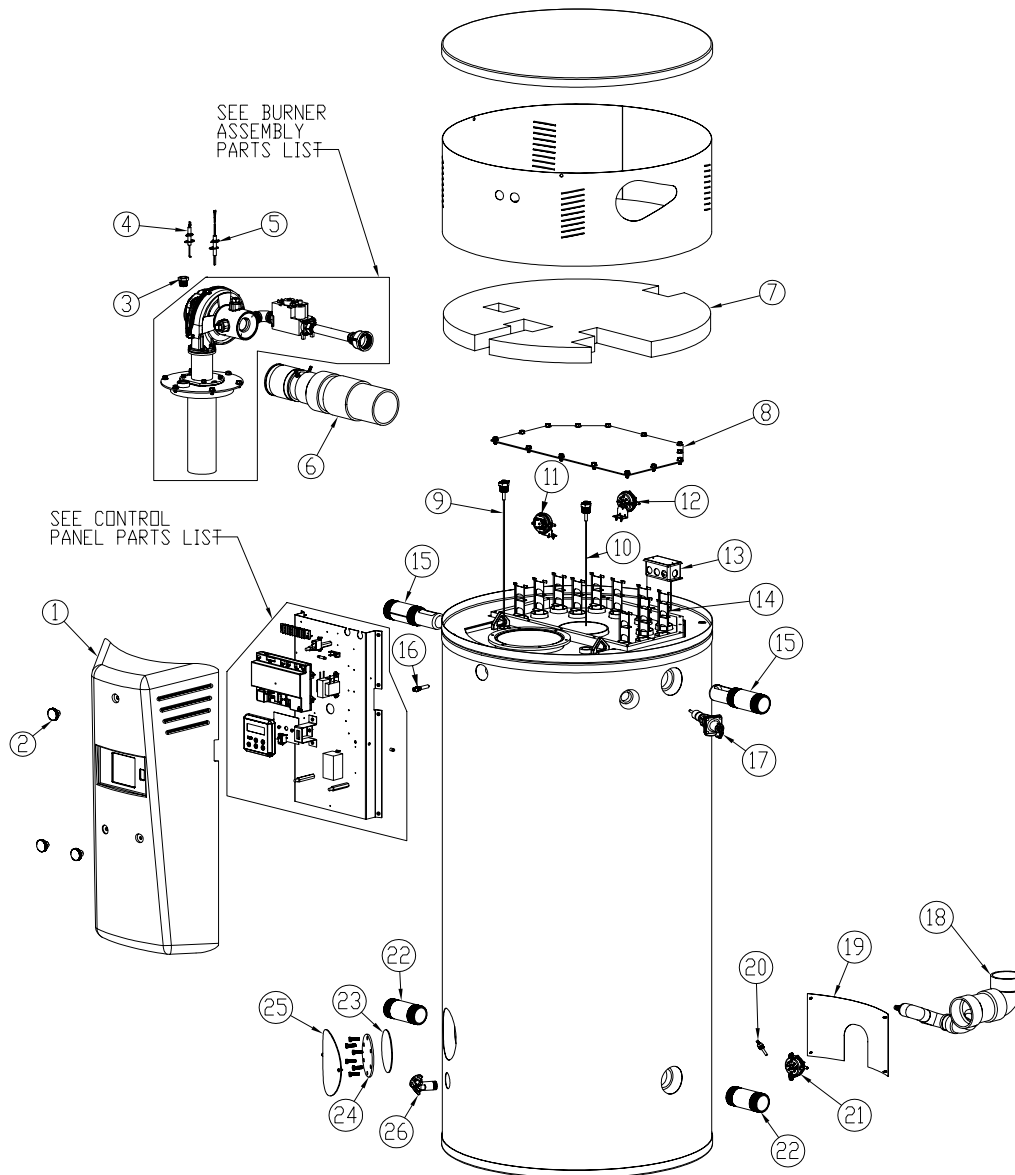


Parts List: OT200-299: Tank



#	Description
1	Control Panel Cover (17111)
2	Knob (19867)
3	Sight Glass (21817)
4	Flame Rod (w/ gasket) (19852R)
5	Hot Surface Ignitor (w/ gasket) (19948R)
6	Air Intake Assembly (19980)
7	Insulation (Tank Top) (18153)
8	Cover Plate (Transition Chamber 2)
9	Powered Anode Rod, 43 in. length (18150)

#	Description
10	Powered Anode Rod, 16 in. length (18152)
11	Air Proving Switch (w/ bracket) (20011)
12	Blocked Intake Switch (w/ bracket) (20012)
13	Power Supply Junction Box (21640)
14	Baffle (16603)
15	Outlet Pipe Nipple Assembly (15407)
16	Tank Temperature Sensors (2-in-1) (21594)
17	T&P Relieve Valve (21785)
18	Condensate Elbow Assembly (19985)

#	Description
19	Trim Plate (2 pcs.) (19417)
20	Flue Gas Temperature Sensor (21596)
21	Blocked Exhaust Switch (20014)
21	Blocked Exhaust Switch High Altitude(20016)
22	Inlet Pipe Nipple (15340)
23	Hand Hole Gasket (27015)
24	Hand Hole Cover Plate (27030)
25	Hand Hole Access Cover (17190)
26	Drain Valve (15590)