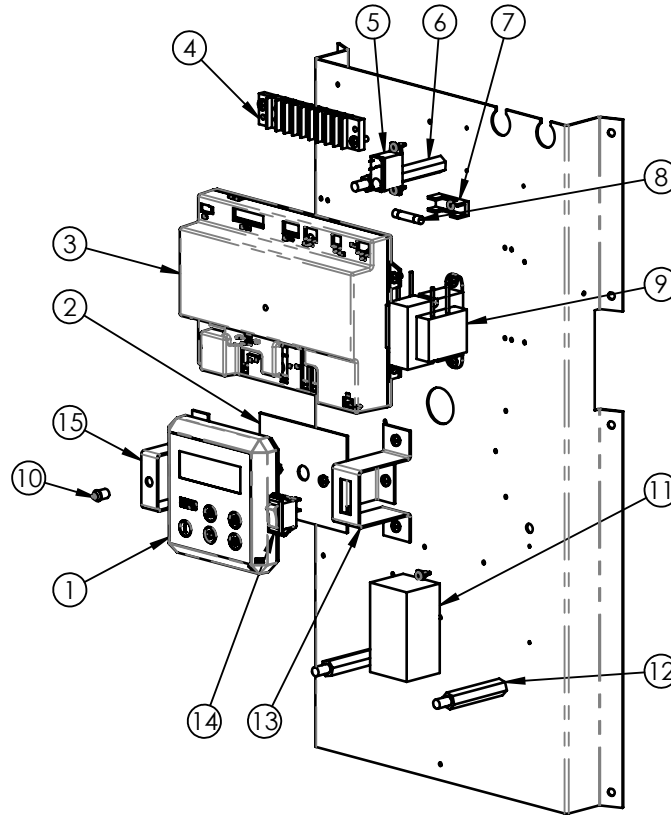


Parts List: OT200-299: Control Panel



#	Description
1	Display, Argus, Replacement, OT200N, OT200N-A (20762)
1	Display, Argus, Replacement, OT200N-H28, OT200N-A-H28 (20765)
1	Display, Argus, Replacement, OT200LP, OT200LP-A (20767)
1	Display, Argus, Replacement, OT200LP-H25, OT200LP-A-H25 (20770)
1	Display, Argus, Replacement, OT200LP-H58, OT200LP-A-H58 (20772)
1	Display, Argus, Replacement, OT250N, OT250N-A (20750)
1	Display, Argus, Replacement, OT250N-H28, OT250N-A-H28 (20752)
1	Display, Argus, Replacement, OT250LP, OT250LP-A (20755)
1	Display, Argus, Replacement, OT250LP-H25, OT250LP-A-H25 (20757)
1	Display, Argus, Replacement, OT250LP-H58, OT250LP-A-H58 (20760)
1	Display, Argus, Replacement, OT299N, OT299N-A (20737)
1	Display, Argus, Replacement, OT299N-H28, OT299N-A-H28 (20740)
1	Display, Argus, Replacement, OT299LP, OT299LP-A (20742)
1	Display, Argus, Replacement, OT299LP-H25, OT299LP-A-H25 (20746)
1	Display, Argus, Replacement, OT299LP-H58, OT299LP-A-H58 (20747)

#	Description
2	Display Bracket
3	Control, Argus, Replacement, OT200N, OT200N-A (20850)
3	Control, Argus, Replacement, OT200N-H28, OT200N-A-H28 (20852)
3	Control, Argus, Replacement, OT200LP, OT200LP-A (20855)
3	Control, Argus, Replacement, OT200LP-H25, OT200LP-A-H25 (20857)
3	Control, Argus, Replacement, OT200LP-H58, OT200LP-A-H58 (20860)
3	Control, Argus, Replacement, OT250N, OT250N-A (20837)
3	Control, Argus, Replacement, OT250N-H28, OT250N-A-H28 (20840)
3	Control, Argus, Replacement, OT250LP, OT250LP-A (20842)
3	Control, Argus, Replacement, OT250LP-H25, OT250LP-A-H25 (20845)
3	Control, Argus, Replacement, OT250LP-H58, OT250LP-A-H58 (20847)
3	Control, Argus, Replacement, OT299N, OT299N-A (20825)
3	Control, Argus, Replacement, OT299N-H28, OT299N-A-H28 (20827)
3	Control, Argus, Replacement, OT299LP, OT299LP-A (20830)
3	Control, Argus, Replacement, OT299LP-H25, OT299LP-A-H25 (20832)

#	Description
3	Control, Argus, Replacement, OT299LP-H58, OT299LP-A-H58 (20835)
4	Terminal Block (19855)
5	Relay (19857)
6	Standoff, 3.5 in. length (19865)
7	Fuse Block (19560)
8	Fuse, 5A (delay) (19861)
9	Transformer (120 VAC / 24 VAC) (21621)
10	Powered Anode Status LED
11	Powered Anode Power Supply (15157)
12	Standoff, 2.5 in. length (19862)
13	Power Switch Bracket (17117)
14	Power Switch (for main control) (19858)
15	Anode LED Bracket