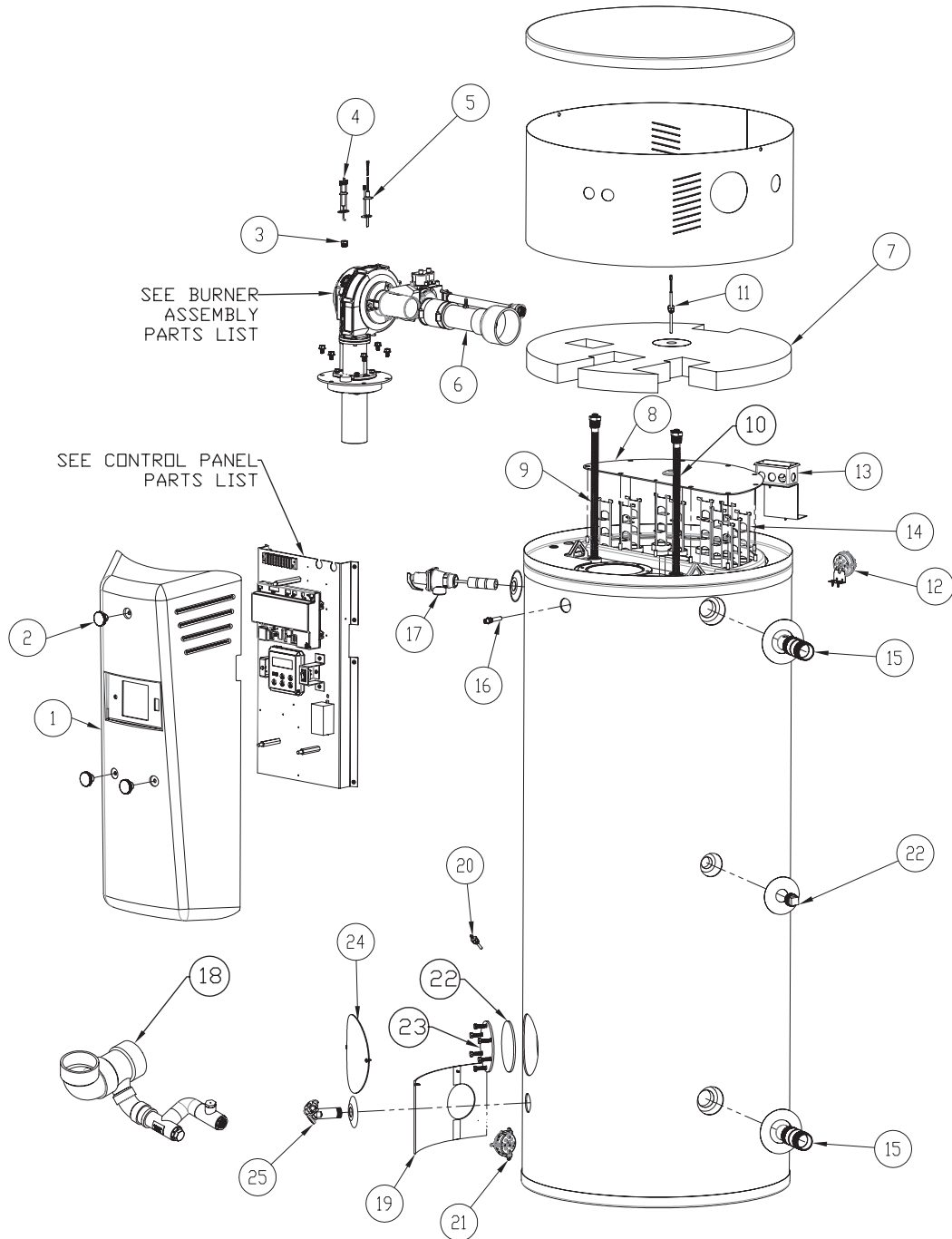


Parts List: OT125-199: Tank



#	Description
1	Control Panel Cover (17125)
2	Knob (19867)
3	Sight Glass (21819)
4	Flame Rod (w/ gasket) (19852R)
5	Hot Surface Ignitor (w/ gasket) (19948R)
6	Air Intake Assembly (19979)
7	Insulation (Tank Top) (18228)
8	Cover Plate (Transition Chamber 2)
9	Powered Anode Rod, 43 in. length (15150)

#	Description
10	Powered Anode Rod, 16 in. length (15152)
11	Flue Pass #2 Sensor (21599)
12	Blocked Intake Switch (w/ bracket) (20012)
13	Power Supply Junction Box (21640)
14	Baffle (16604)
15	Inlet or Outlet Pipe Nipple Assembly (15315)
16	Tank Temperature Sensors (2-in-1) (21594)
17	T&P Relieve Valve (21790)
18	Condensate Elbow Assembly (19985)

#	Description
19	Trim Plate (19418)
20	Exhaust Gas Sensor (21596)
21	Blocked Exhaust Switch (20014)
22	Hand Hole Gasket (27015)
23	Hand Hole Cover Plate (27030)
24	Hand Hole Access Cover (17190)
25	Drain Valve (15590)