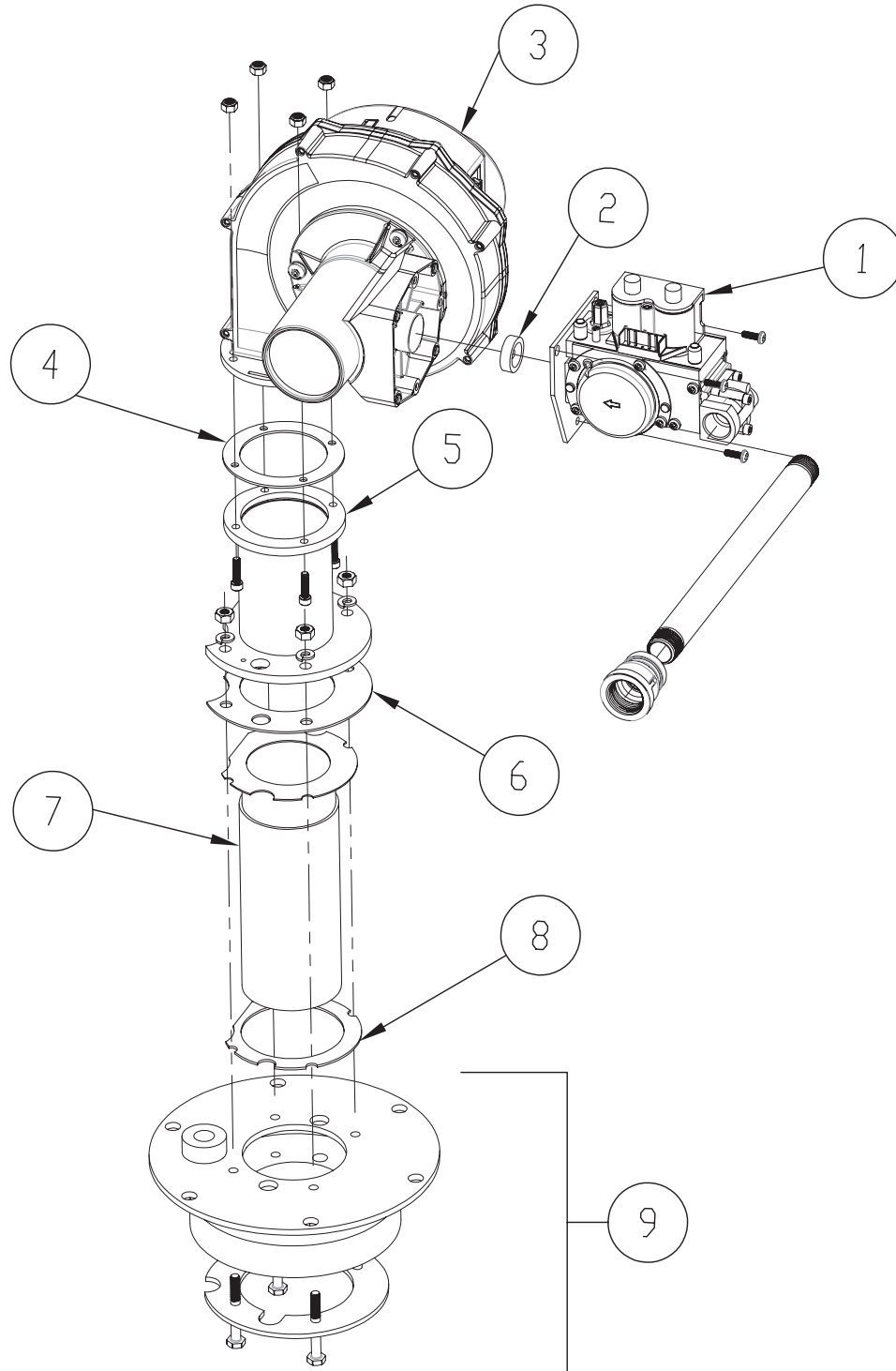


Parts List: OT125-199: Gas Train and Burner Assembly



#	Description
1	Gas Control
2	O-Ring w/o Orifice (NAT GAS models)
2	O-Ring w/ Orifice (LP GAS models)
3	Blower
4	Gasket (blower to transition tube) (18208)

#	Description
5	Transition Tube (17056)
6	Gasket (transition tube to burner) (18212)
7	Burner (19845)
8	Gasket (burner to mounting flange) (18211)
9	Flange Assembly** (19920)

** - includes mounting flange, insulation disk, retaining plate and bolts