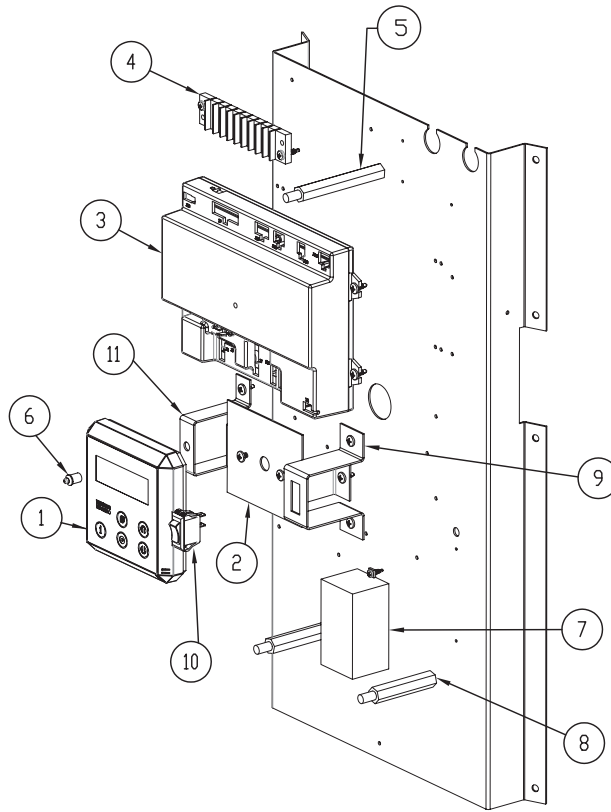


Parts List: OT125-199: Control Panel



#	Description
1	Display, Argus, Replacement, OT125N (20687)
1	Display, Argus, Replacement, OT125N-H25 (20686)
1	Display, Argus, Replacement, OT125N-H58 (20685)
1	Display, Argus, Replacement, OT125LP (20684)
1	Display, Argus, Replacement, OT125LP-H25 (20683)
1	Display, Argus, Replacement, OT125LP-H58 (20682)
1	Display, Argus, Replacement, OT150N (20693)
1	Display, Argus, Replacement, OT150N-H25 (20692)
1	Display, Argus, Replacement, OT150N-H58 (20691)
1	Display, Argus, Replacement, OT150LP (20690)
1	Display, Argus, Replacement, OT150LP-H25 (20689)
1	Display, Argus, Replacement, OT150LP-H58 (20688)
1	Display, Argus, Replacement, OT199N (20699)
1	Display, Argus, Replacement, OT199N-H25 (20698)
1	Display, Argus, Replacement, OT199N-H58 (20697)
1	Display, Argus, Replacement, OT199LP (20696)

#	Description
1	Display, Argus, Replacement, 199LP-H25 (20695)
1	Display, Argus, Replacement, OT199LP-H58 (20694)
2	Display Bracket (17115)
3	Control, Argus, Replacement, OT125N (20675)
3	Control, Argus, Replacement, OT125N-H25 (20676)
3	Control, Argus, Replacement, OT125N-H58 (20677)
3	Control, Argus, Replacement, OT125LP (20678)
3	Control, Argus, Replacement, OT125LP-H25 (20679)
3	Control, Argus, Replacement, OT125LP-H58 (20680)
3	Control, Argus, Replacement, OT150N (20669)
3	Control, Argus, Replacement, OT150N-H25 (20670)
3	Control, Argus, Replacement, OT150N-H58 (20671)
3	Control, Argus, Replacement, OT150LP (20672)
3	Control, Argus, Replacement, OT150LP-H25 (20673)
3	Control, Argus, Replacement, OT150LP-H58 (20674)
3	Control, Argus, Replacement, OT199N (20663)

#	Description
3	Control, Argus, Replacement, OT199N-H25 (20664)
3	Control, Argus, Replacement, OT199N-H58 (20665)
3	Control, Argus, Replacement, OT199LP (20666)
3	Control, Argus, Replacement, OT199LP-H25 (20667)
3	Control, Argus, Replacement, OT199LP-H58 (20668)
4	Terminal Block (19855)
5	Standoff, 3.5 in. length(19865)
6	Powered Anode Status LED
7	Powered Anode Power Supply (15157)
8	Standoff, 2.5 in length (19862)
9	Power Switch Bracket (17117)
10	Power Switch (for main control) (19858)
11	Anode LED Bracket