



## Non-ASME Commercial Storage Tanks

*Designed for Use with Boilers, Hot-water Circulation Systems,  
Geo-Thermal and Large Volume Delivery Applications*

■ Five-Year Limited Tank Warranty  
– THE INDUSTRY'S FINEST

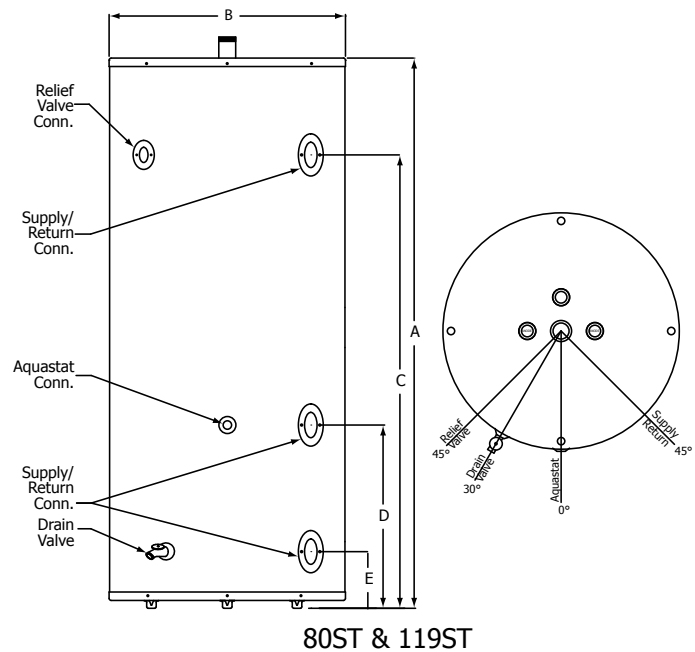
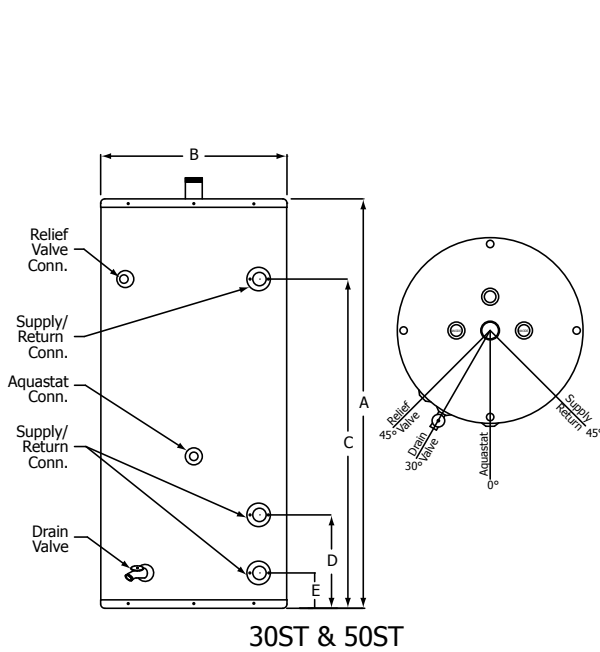
- 30 to 119 gallon capacities
- Glass-fused-to-steel water tank
- Ecomate® insulation
- Steel exterior with powder coat finish
- Factory installed brass drain valve
- Four 2" or 2.5" NPT connections one top outlet and three side supply/return
- Made in the USA



**COMMERCIAL**  
• **STORAGE TANKS** •

*WE TAKE WATER HEATERS PERSONALLY*

This product is available from:



Model	Storage GAL (L)	T&P Relief Valve Conn. NPT	Supply/Return Conn. NPT	Outlet Conn. NPT	Aquastat Conn. NPT	Dimensions in Inches (cm)					Shipping Weight LBS (kg)
						A	B	C	D	E	
30ST	30 (113.56)	.75"	2.00"	2.00"	.75"	39.50 (100.33)	20.00 (50.80)	30.00 (76.20)	11.06 (28.09)	4.18 (10.62)	150 (68.04)
50ST	50 (189.27)	.75"	2.00"	2.00"	.75"	48.50 (123.19)	22.00 (55.88)	39.00 (99.06)	11.06 (28.09)	4.18 (10.62)	190 (86.18)
80ST	80 (302.83)	1.00"	2.00"	2.00"	.75"	64.38 (163.53)	24.00 (60.96)	50.00 (127.00)	21.00 (53.34)	6.00 (15.24)	250 (113.40)
119ST-2"	119 (450.46)	1.00"	2.00"	2.00"	.75"	65.50 (166.37)	28.00 (71.12)	54.00 (137.16)	22.00 (55.88)	7.00 (17.78)	385 (174.63)
119ST-2 1/2"	119 (450.46)	1.00"	2.50"	2.50"	.75"	65.50 (166.37)	28.00 (71.12)	54.00 (137.16)	22.00 (55.88)	7.00 (17.78)	385 (174.63)

**Warning:** Installation should be in accordance with all national and/or local codes. In the absence of local codes, refer to NFPA 54.

**Caution:** The recommended maximum hot water temperature setting for normal residential use is 120° F. Bock recommends a tempering valve or anti-scald valve be installed and used according to the manufacturer's directions to prevent scalding.



**Pressures (all):** Working Pressure, 150 psi; Testing Pressure, 300 psi