

**TO THE INSTALLER:**  
Please attach these  
instructions next to  
the water heater.



**TO THE CONSUMER:**  
Read these and all  
component instruc-  
tions. Please keep for  
future reference.

## INSTALLATION, OPERATION & MAINTENANCE INSTRUCTIONS GAS, OIL & DUAL FUEL WATER HEATERS

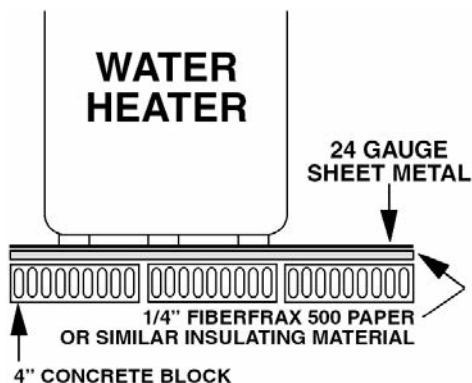
# 150 • 200 • 250

Warranty and registration card included

**WARNING:** Improper installation, adjustment, alteration, service or maintenance can cause serious injury or property damage. Refer to this manual. For assistance or additional information, consult a qualified installer or service agency.

**WARNING:** If the information in these instructions is not followed exactly, fire or explosion may result and can cause property damage, personal injury or death.

**DO NOT INSTALL THE WATER HEATER ON COMBUSTIBLE FLOORING.** Install in accordance with all local codes. In the absence of local codes, refer to NFPA 31 or ANSI Z21.10.1, or contact Bock Water Heaters with questions concerning proper flooring materials.



**Minimum clearance to combustible construction is: SIDES 6\"; BACK 6\"; FRONT 24\".** The installation of this water heater must conform with local codes and ordinances. In the absence of local codes, the installation must comply with the National Fire Protection Association (NFPA 31) Code.

**WARNING:** The recommended temperature for normal residential use is 120°F. The dial on the aquastat does not

always reflect the outgoing water temperature, which could occasionally exceed 120°F. The variation in outgoing temperature could be based on factors including but not limited to usage patterns and type of installation. Test your water at the tap nearest to the water heater.

**WARNING:** Hotter water increases the risk of scald injury. Before changing the temperature setting, read the instruction manual. Temperatures at which injury occurs vary with the individual's age and length of exposure.

The slower reaction times of children, elderly and physically or mentally impaired persons increases the scalding hazard to them. It is recommended lower water temperatures be used where these situations exist.

**To lower water temperature use point-of-use temperature limiting devices.**

**WARNING:** Flammable vapors may be drawn to this water heater from other areas of the structure by air currents. **Do not store or use any flammable liquids in the vicinity of this heater.**

**WARNING:** Water heater blankets may restrict air flow to the heater and cause fire, asphyxiation, personal injury or death.

**WARNING:** Hydrogen gas can be produced in a hot water system that had not been used for an extended period—generally, two weeks or longer. To prevent possible injury under this situation, we recommend that a hot water faucet be wide open for several minutes before you use ANY electrical appliance that is connected to the hot water system. If hydrogen is present, an unusual sound—such as air escaping—will come from the open faucet as the hot water begins to flow. **Hydrogen gas is extremely flammable—there must be no open flame near this open faucet.**

**Bock Water Heaters, Inc.**

110 S. Dickinson St. • P.O. Box 8632 • Madison, WI 53708-8632

Phone: 608/257-2225 • Fax: 608/257-5304 • [www.bockwaterheaters.com](http://www.bockwaterheaters.com)

# SPECIFICATIONS

Leave ample room for servicing when the water heater is installed – do not block access to the burner, inspection door, handholes or controls. Leave room to pipe the unit and connect the fuel and electricity.

## BURNER SPECIFICATIONS

	150-400	150-600	150-800	200-450	200-650	200-850	200-1150	250-800	250-1000	250-1250	250-1500
Bock Multi-Flue Series	150-400	150-600	150-800	200-450	200-650	200-850	200-1150	250-800	250-1000	250-1250	250-1500
Nominal Storage	175 gal.	166 gal.	157 gal.	245 gal.	212 gal.	204 gal.	191 gal.	271 gal.	257 gal.	247 gal.	247 gal.
Stack Size, in.	8 in.	8 in.	10 in.	8 in.	8 in.	10 in.	12 in.	10 in.	12 in.	14 in.	14 in.
Turboflues, Qt.	3	5	7	3	5	7	10	7	10	12	14
Anode Rods, Qt.	4	4	6	4	4	6	10	6	8	10	11
Bock Oil Fired Model	150E-400	150E-600	150E-800	200E-450	200E-650	200E-850	200E-1150	250E-800	250E-1000	250E-1250	250E-1500
Max. Fire Rate	3.0 gph	4.5 gph	6.0 gph	3.2 gph	4.6 gph	6.1 gph	8.2 gph	6.0 gph	7.1 gph	9.0gph	11.0 gph
Btu/hr input	400000	600000	800000	450000	650000	850000	1150000	800000	1000000	"1,250,000"	1500000
Burner Make	Wayne	Wayne	Wayne	Wayne	Wayne	Wayne	Wayne	Wayne	Wayne	Wayne	PowerFlame
Model	EH	EH	EH	EH	EH	EH	FH	EH	FH	FH	C2-OAS
Nozzle	3.0 x 80A	4.5 x 80B	5.5 x 80A	3.0 x 80B	4.5 x 80B	6.0 x 70B	2-4.0 x 80B	6.0 x 70B	2-3.5 x 80B	2-4.5 x 80B	6.00x70B*
OEM Number	371-026B	371-028	193-020	371-028	371-028	193-020	193-022	193-020	193-022	193-022	
Burner Make	Carlin	Carlin	Carlin	Carlin	Carlin	Carlin		Carlin			
Model	201 CRD	301 CRD	301 CRD	201 CRD	301 CRD	301 CRD		301 CRD			
Nozzle	2.5 x 70B*	4.0 x 80B*	5.0 x 80A or 70W*	2.5 x 70B*	4.0 x 80B*	5.0 x 80A or 70W*		5.0 x 80A or 70W*			
OEM Number	9828500B361E	9859400B	9859400B	9828500B361E	9859400B	9859400B		9859400B			
Bock Dual Fuel Model	150DF-400	150DF-600	150DF-800	200DF-450	200DF-650	200DF-850	200DF-1150	250DF-800	250DF-1000	250DF-1250	250DF-1500
Max. Fire Rate	3.0 gph	4.5 gph	6.0 gph	3.2 gph	4.6 gph	6.1 gph	8.2 gph	6.0 gph	7.1 gph	9.0 gph	11.0 gph
Btu/hr input	400000	600000	800000	450000	650000	850000	1150000	800000	1000000	1,250,000	1500000
Burner Make	Power Flame	Power Flame	Power Flame	Power Flame	Power Flame	Power Flame	Power Flame	Power Flame	Power Flame	Power Flame	Power Flame
Model	C1-GO-10	C1-GO-10	C1-GO-10	C1-GO-10	C1-GO-10	C1-GO-10	C1-GO-12	C1-GO-10	C1-GO-12	C1-GO-12	C2-GO-15
Nozzle	1.65x70B*	2.50x70B*	3.25x70B*	1.75x80B*	2.50x70B*	3.5x70B*	4.50x70B*	3.25x70B*	4.0x70B*	5.00x70B*	6.00x70B*
Bock Power Gas Model	150G-400	150G-600	150G-800	200G-450	200G-650	200G-850	200G-1150*	250G-800	250G-1000	250G-1250*	250G-1500
Btu/hr input	400000	600000	800000	450000	650000	850000	1150000	800000	1000000	"1,250,000"	1500000
Burner Make	Power Flame	Power Flame	Power Flame	Power Flame	Power Flame	Power Flame	Power Flame	Power Flame	Power Flame	Power Flame	Power Flame
Model	J15A-10	J15A-10	J30A-10	J15A-10	J15A-10	J30A-10	J30A-12	J30A-10	J30A-10	J30A-12	C2-G-15

### Burner Controls:

Burner	Primary Control	Detector
Wayne EH	R8184G 1294	C554A
PF C2-0AS	RM7895C 1012	C7072A
PF C1-GO-10,12,15	RM7895C 1012	C7072A
CARLIN 201CCRD, 301CRD	P/N 4020002	C1440700K

**Aquastats:** Carlin 90300B or 90320B

### Flue Tubes:

Flue tubes constructed of steel minimum, 1/8 in. thick, 6 in. OD by 35 in. long, and provided with fins welded in a spiral pattern.

Model	Number of Flues
150-400	3
200-450	3
150-600	5
200-650	5
150-800	7
200-850	7
200-1150	10
250-1250	12
250-1500	14

## **WARNING**

Improper installation, adjustment, alteration, service or maintenance can cause serious injury or property damage. Refer to this manual. For assistance or additional information, consult a qualified installer or service agency.

## **WARNING**

If the information in these instructions is not followed exactly, fire or explosion may result and can cause property damage, personal injury or death.

## **CAUTION**

Do not install on combustible flooring. Minimum clearance to combustible construction is: SIDES: 6"; BACK: 6"; FRONT: 24". Install in accordance with all local codes. In the absence of local codes, refer to National Fuel Gas Code and/or NFPA 31 or ANSI Z21.10.1.

## **WATER PIPING**

Install unions and shut-off valves on both hot and cold water lines. A temperature and pressure (T&P) relief valve has been installed at the factory. Install a discharge line from the relief valve outlet to a suitable drain. Arrange the line without restriction to allow for complete drainage of both the relief valve and line. Do not install a check valve in the cold water line. If backflow preventers or pressure regulators are installed, be sure to make provision for expansion of water when heated by installing either a thermal expansion valve or an expansion tank in the system.

## **GAS PIPING**

**All piping must comply with local codes/ordinances or National Fuel Gas Code & NFPA No. 54**

Install a sediment trap or drip leg in the supply line to the burner. Install a union in the gas line adjacent to and upstream from the control manifold and downstream from the manual main shut-off valve. A 1/8" NPT plugged tapping accessible for test gauge connection must be installed immediately upstream of the gas supply connection to determine the gas supply pressure to the burner.

Install a manual shut-off valve in the gas supply line external to the water heater.

The gas line should be a separate supply direct from the meter to the burner. Use new pipe that is free of cutting burrs and well-supported. Use pipe dope (approved for all gasses) on male threads only.

When pressure testing the gas supply piping system at less than 1/2 psig., close the manual gas shut-off valve to the heater. If test pressures are to exceed 1/2 psig., the water heater and its manual shut-off valve must be disconnected from the system. **Be sure gas service and meter are adequately sized.**

## **OIL PIPING**

All heaters covered by this manual are equipped with two-stage fuel pumps. They require a two pipe system, suction and return. The fuel pumps have the **bypass plug installed**, which requires a two-pipe system using 5/8" O.D. soft copper tubing.

For gravity flow system (oil supply above the burner), if a one-pipe system is used the bypass plug should be removed. On the larger burners and all dual fuel burners, a two-pipe system is required.

For multiple heater installations, run a separate suction and return line for each heater if possible.

Where the combined lift in feet and horizontal run exceeds 100', install a booster pump as near to the supply tank as possible. Return lines must be the same diameter as suction lines and extend close to the bottom of the storage tank, but stop slightly above the suction lines. Use a minimum of fittings, making bends in tubing with as large a radius as possible. Always use flared fittings, not compression fittings. If pipe is used instead of tubing, do not connect the burner to the pipe – use copper tubing and form a coil before attaching to the burner.

## **MOUNTING THE BURNER**

The burner is shipped separately. Unpack and examine to be sure the unit is in good condition. Install on the water heater using the mounting bolts provided. On larger burners, an additional pedestal is supplied to support the burner. Make sure there are no obstructions in front of the burner and that the burner is not protruding into the combustion area.

## **CONNECT TO THE CHIMNEY**

Using "L" or "A" type venting, connect the heater to the chimney. Do not reduce the smoke pipe diameter; use the same size smoke pipe as the heater flue pipe. Run a separate connector from the heater to the chimney where possible. If the heater must be joined to another oil appliance breaching before going into the chimney, enlarge the existing breaching to accommodate the extra volume of gases from the heater. The entrance into the breaching should be at a 45° angle.

## COMBUSTION AIR

**Adequate, non-contaminated combustion air must be supplied to the water heater.**

**In a confined space** with a volume of less than 50 cubic feet per 1000 BTUH, the space must be vented at the floor for combustion air, and at the ceiling for ventilation. The air can be supplied from either inside or outside of the building as conditions allow.

Care must be taken to insure an adequate air supply for the water heater.

A. Install equipment only where the water heater will have satisfactory combustion, proper venting and the maintenance of temperature at safe limits all around the unit under normal operating conditions. Free circulation of air around the water heater is essential. If the air supply is inadequate, introduce outside air. Any temperature above 90°F around the heater indicates a need for additional air (see NFPA 31 for air requirements).

B. In addition to air needed for combustion, air may be required for draft control; cooling off; controlling dew point; heating; drying; oxidation or dilution; safety exhaust; odor control; and compressors.

C. Make sure air around the water heater is adequate for personal comfort and working conditions.

D. Check for proper draft. Place a draft gauge in the chimney above the draft diverter. Drafts should be at least -0.02" W.C. and less than -0.05" W.C. while the water heater is in operation.

**Unconfined space:** No additional combustion and ventilation air is required if the volume of the space is greater than 50 cubic feet per 1,000 BTUH of the combined total input of all equipment installed in that space. Rooms leading directly to the space through openings which cannot be closed are considered part of the unconfined space.

**Confined space:** When the unit will be installed in a space with a volume of less than 50 cubic feet per 1,000 BTUH, the space must be vented at the floor for combustion air and at the ceiling for ventilation. This air can be supplied from either inside or outside of the building as conditions allow (refer to NFPA 31 or local codes).

A. Inside air supply: Provide two permanent openings; one within 12" of the top of the enclosure and one within 12" of the bottom, leading directly to room(s) of sufficient volume so that the combined volume of all the space meets the criteria for unconfined space. Each opening required a minimum free area of one (1) square inch (two square inches total) per 1,000 BTUH of the combined total input of all equipment installed in the enclosure, but not less than 100 square inches.

B. Outside air supply: Provide two permanent openings; one within 12" of the top of the enclosure and one within 12" of the bottom. These openings must lead directly to crawl and attic spaces leading directly to the outside of the building.

1. Leading directly to outside or through vertical ducts: Each opening (top and bottom) requires a minimum free area of one (1) square inch (two square inches total) per 4,000 BTUH of the combined total input of all equipment installed in the enclosure.

2. Leading to the outside through horizontal ducts: Each opening (top and bottom) requires a minimum free area of one (1) square inch (two square inches total) per 2,000 BTUH of the combined total input of all equipment in the enclosure.

**Louvers and grilles:** In calculating the "free" area in **Equipment Located in Confined Spaces**, consider the blocking effects of louvers, grilles, or screens protecting openings. The screens cannot be smaller than one (1) inch of mesh. If the "free" area of a louver or grille is known, it should be used in calculating the size opening required to provide the "free" area specified. If the design and "free" area is not known, assume wood louvers have 20% to 25% "free" area, and metal louvers and grilles 60% to 70%. Fix louvers and grilles in the open position or interlock with the equipment so they are opening automatically during equipment operation.

## VENTILATION AIR

**NOTE: All ducts must have the same cross sectional area as the free area of each opening to which they connect. The minimum side dimension of a rectangular duct must be no smaller than three (3) inches.**

**Caution: Operation of exhaust fans, ventilating systems, power burners, induced draft systems, or fireplaces may create conditions that require special attention to avoid unsatisfactory operation of installed equipment.**

## WIRING

All wiring should conform to the National Electrical Code. Install a separately fused disconnect switch for the water heater. The water heater is supplied with a microprocessor temperature control with operating and high limit action. Follow the wiring diagram furnished with the burner to complete the field wiring.

**When wiring is completed, set the temperature control to 120°F. Higher temperature settings will increase the risk of scalding.**

Figures 1-3 show wiring details for oil, gas, and dual fuel applications.

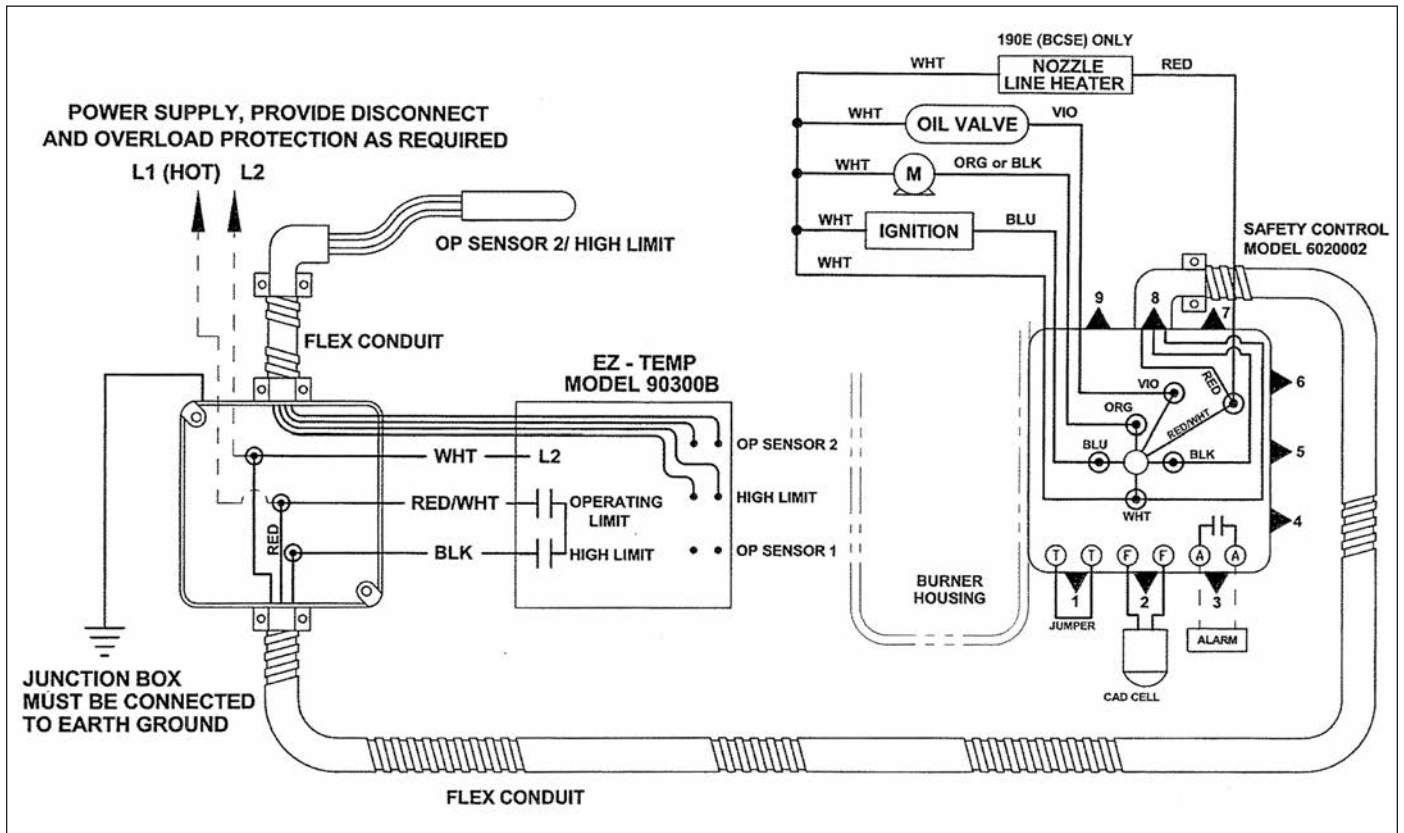


Figure 1: Carlin oil burner, 120 V



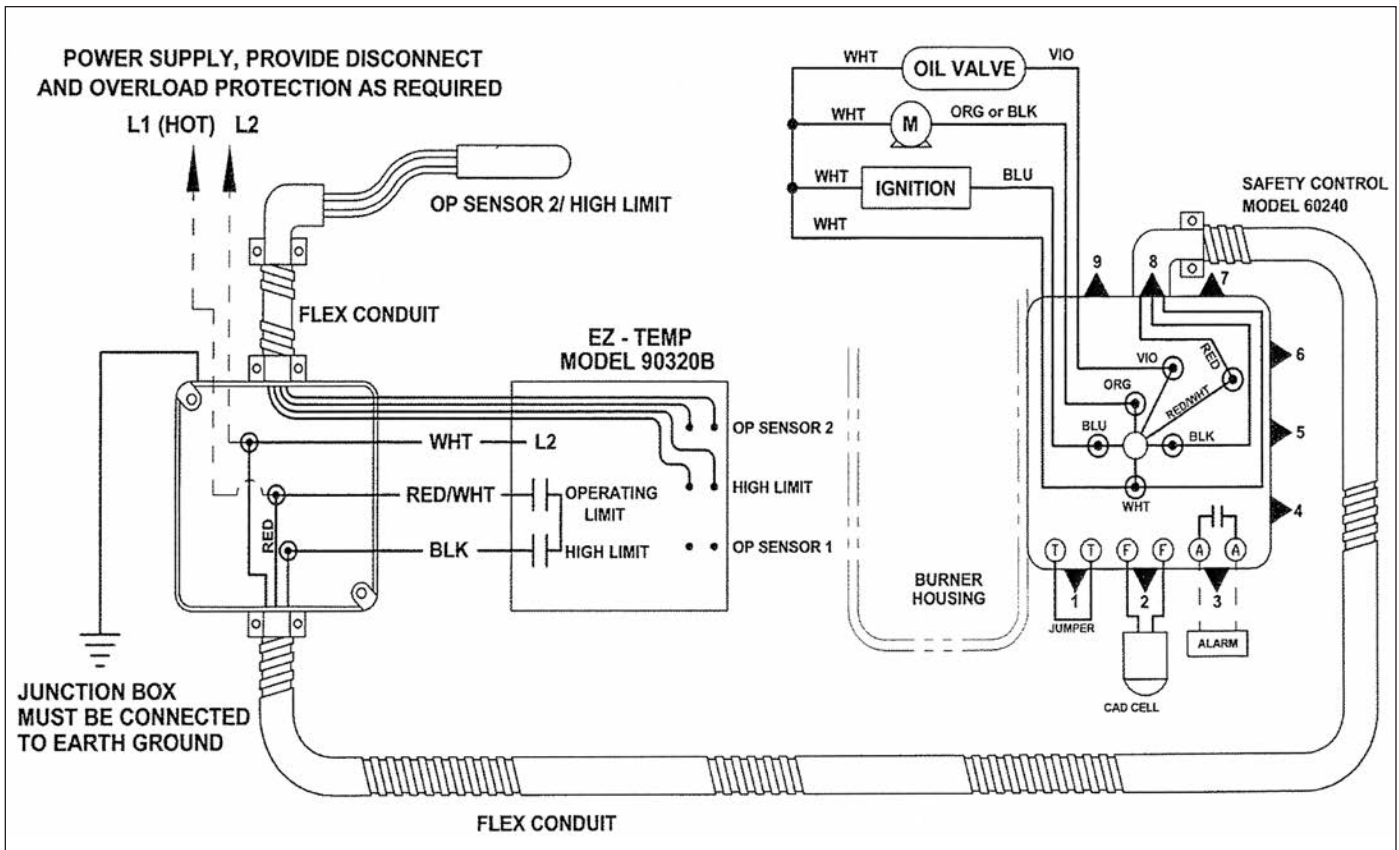


Figure 2: Carlin oil burner, 240 V

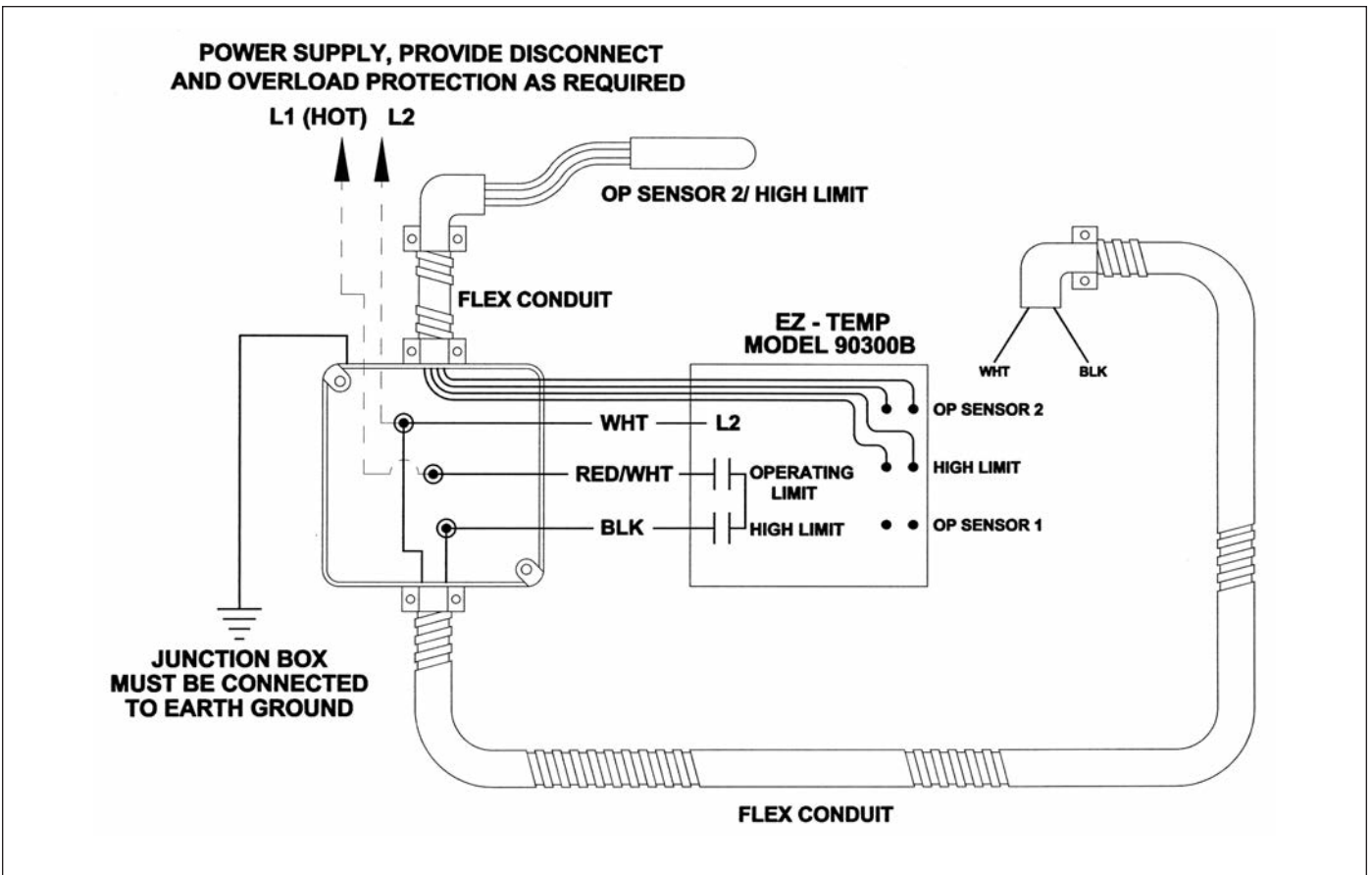


Figure 3: Wayne oil or Power Flame gas and dual fuel burners

## **PUTTING HEATER INTO OPERATION**

Fill the heater with water, opening a hot water faucet to allow trapped air to escape. Check hand holes for tightness. Check the fuel supply and all fuel lines for tightness. Rotate the blower wheel to loosen the pump shaft seal. Bleed air from the oil line by opening the bleed valve on the fuel pump. Attach a small plastic tube to the bleed valve fitting on pump and run to a gallon container. Turn on the electricity and set the thermostat set eh burner motor runs. The heater will not ignite when the bleed valve is open. Bleed the line until the oil is completely clear (not milky or opaque), transparent and free of air bubbles and froth.

## **SET DRAFT AND ADJUST BURNER COMBUSTION (see burner instructions)**

1. Start the burner and adjust draft to the  $-.02$  in  $H_2O$  to  $-.05$  in  $H_2O$ .
2. Verify that the pump pressure matches the values in the chart.
3. Check the smoke and adjust the air to give #1 smoke.
4. Readjust to give a trace or zero smoke.
5. Check that the  $CO_2$  level is at 11% or higher. Note: Do no attempt to adjust the burner without instruments.
6. Open the air adjustment to lower the  $CO_2$  by .5% or 1% to allow for draft and fuel variations (refer to the burner manufacturer's recommendations).

The thermostat has been adjusted to 120°F at the factory. Wait until thermostat has shut off fuel to the main burner; wait 30 seconds following shut off of fuel, then set thermostat to the highest temperature. The main burner should re-light. Set thermostat to the lowest temperature; the main burner should go out. The thermostat should be adjusted in accordance with the local codes or to the minimum setting that will meet the hot water needs of the consumer. Bock recommends 120°F temperature settings for residential applications for safety as well as energy efficiency.

1. Check the fuel supply, electrical wiring and fuses. Make sure the temperature control is set for heat.
2. If the motor runs but there is no flame, remove the electrode assembly, clean and readjust (see Figure 5). Check the electrode porcelain for cracks and replace if necessary. Check the transformer to see if it is producing a strong spark. (Use extreme caution – the transformer has a 10,000 volt output.) Check that the coupling between the motor and pump shaft is not slipping. Check the set screw on the blower wheel for tightness. Clean or replace the nozzle if necessary, always using the correct size and spray angle provided by the manufacturer.
3. Bleed the pump to make sure the oil is clear and free of air bubbles. If the oil is milky or frothy, check the line for air leaks at fittings. Check the oil filter gaskets and make sure the filter cartridge is clean.
4. If the burner motor does not run, check the motor thermal overload button (red) and reset. If the burner motor does not run after pushing the red button on the back of the motor, turn the motor off and check the motor shaft to see if it is tight. Check the pump shaft; if it is free and the motor will not run, replace the flame detector located in the burner housing. Turn on the current and reset the control (relay). If the motor still does not run, replace the control (relay). If motor hums and gets hot, replace the motor.
5. If the burner ignites and runs a short time (10 to 15 seconds) and goes out on safety, replace the flame detector. If the burner still runs only a short time, replace the control.
6. The smell of oil or combustion products may be caused by poor draft or lack of combustion air. Remove and clean the electrode assembly and check the draft in the connector directly above the heater. There should be at least .01 inches W.C. draft (pull) or greater.

**Lime and sediment:** Such accumulations can be controlled to an extent by softening the water. The tank should be inspected every six months by draining the tank, removing the hand hold cover, and making a visual check of the tank interior. If lime (or sediment) has accumulated, it should be removed by use of a commercial lime dissolving chemical or by scraping loose the deposit and flushing it away through the hand hole drain.

**Excessive pressure** is controlled by the T&P relief valve. Water expands when heated and the extra volume of water must have a place to go. If water cannot expand into the cold water line because of a check valve, pressure builds as the water heats. The pressure relief valve opens, and dumps the extra volume of water. If the relief valve is faulty or none has been installed, the tank can fail due to this excessive pressure. Open the relief valve at least once a year to make sure the seat is not stuck.

**Caution:** Before opening the relief valve be certain that the discharge line directs the water away from anything that could be damaged or would block the flow of water to the drain. Stand away from the outlet to avoid contact with the water.

## **SERVICE:**

**Regular maintenance will keep the water heater operating at peak efficiency. The tank can fail prematurely from the accumulation of lime and sediment in the bottom, excessive pressure and/or corrosion.**

## **MAINTENANCE INSTRUCTIONS**

Regular maintenance will keep the water heater operating at peak efficiency.

**The tank can fail prematurely from an accumulation of lime and sediment on the bottom and tubes, excessive pressure and/or corrosion.**

Prevention will appreciably extend the life of the water heater. Lime and sediment accumulations can be controlled by softening the water. Inspect the tank every six months by draining, removing the hand hole cover and making a visual check of the interior. Remove lime or sediment with a commercial lime dissolving chemical or scrape loose the deposit and flush it away through the hand hole or drain.

Excessive pressure is controlled by the pressure relief valve. Water expands when heated; if it cannot expand into the cold water line because of a check valve, the pressure relief valve opens and dumps the extra water. If the relief valve is faulty or none has been installed, the tank can fail due to this excessive pressure. Open the relief valve at least once a year to make sure the seat is not stuck. Caution: Before opening the relief valve, be certain the discharge line directs the water away from the outlet to avoid contact with the water.

## **MAGNESIUM ANODE RODS**

Magnesium anode rods are installed in the head of the tank to help prevent corrosion. When inspecting the tank interior for lime, also inspect the anode rods. When the original diameter of any of the anode rods has eroded to about one-third it should be replaced.

Freezing: If the water heater is to be shut off during cold weather, the tank and water lines must be drained to prevent freezing, which will crack the tank. Open the relief valve test lever annually.

## **IMPORTANT**

The warranty will be invalid if the tank fails due to excessive pressure, accumulation of lime or sediment, corrosion or freezing.

Clean the oil burner nozzle annually and reset the electrodes. Replace the filter cartridge on the oil supply line filter annually.



---

**LIMITED WARRANTY FOR MODELS 150/200/250 OIL or GAS or  
DUAL-FUEL WATER HEATER**

**Bock Water Heaters, Inc.**

**110 S. Dickinson Street**

**Madison, WI 53703**

**Phone: 608-257-2225**

**WHAT DOES THIS LIMITED WARRANTY COVER?**

**This limited warranty applies only to the original consumer purchaser.**

**General Defects and Malfunctions:** This warranty covers defections and malfunctions in your new water heater for a period of one year from the original installation date. We will repair or replace, at our option, any defective or malfunctioning component of the water heater. This limited warranty will terminate if you sell or otherwise transfer the water heater, or the water heater is installed at a location different from its original installation location.

**Tank and Heat Exchanger:** We also warrant that the tank and heat exchanger will not leak due to defective materials or workmanship for three years from the date of original installation or from date of manufacture in the event the Limited Warranty Registration Card was not completed and returned to manufacturer. If the tank and heat exchanger is leaking and we have verified that the leak is due to a defect in materials and workmanship, we will replace the tank with a tank that is the nearest Bock model available at the time of replacement. If a replacement tank is provided, it will remain warranted under this section as if it were the original tank. For example, if we send you a replacement tank under this limited warranty two years after the original installation date, then the replacement tank will remain warranted for the remaining one year after the original installation date.

**HOW DO YOU GET SERVICE UNDER THE LIMITED WARRANTY?**

In order for the warranty period to begin on the date of installation, you must return the warranty registration card attached below within 30 days of purchasing the water heater. You may also register your water heater online at [www.bockwaterheaters.com](http://www.bockwaterheaters.com). You must have a copy of the original sales receipt at the time you request service. Failure to return the warranty registration card and provide a copy of the sales receipt will result in the warranty period beginning from the date of manufacture.

To get service under this limited warranty you should contact either the dealer or installer. If dealer or installer is unknown you can call us Monday through Friday between the hours of 8 o'clock a.m. to 5 o'clock p.m. Central Time at the following number: 1-608-257-2225.

You can also write us at the following address:

Bock Water Heaters, Inc.  
Warranty Support Group  
110 S. Dickinson Street  
Madison, WI 53703

We will respond not later than ten days after we have received your request for service.

## **WHAT DOES THIS LIMITED WARRANTY NOT COVER?**

This limited warranty does not cover water heaters that are or were:

- Incorrectly installed, especially where the installation violates state or local plumbing, housing or building codes.
- Operated at inappropriate settings, excessive pressures or temperatures.
- Exposed to adverse local conditions and specifically sediment or lime precipitation in the tank or corrosive elements in the atmosphere or unacceptable water quality.
- Installed outside the United States or Canada.
- Accidentally damaged.

Also, we will not cover the following charges, costs and losses:

- Any freight or delivery charges.
- Any removal or installation charges.
- Charges to return the water heater or part to the manufacturer.
- Water damage, loss or damage to property, inconvenience or loss of use.

## **WHAT WILL VOID THE LIMITED WARRANTY?**

- If you do any of the following, you will void this limited warranty:
- Fail to retain an original copy of your sales receipt.
- Fail to retain the actual rating plate from the water heater.
- Alter or remove the serial number.
- Transfer or sell the water heater.
- Remove the water heater from its original location and install it somewhere else
- Fail to follow the care and maintenance instructions provided with the water heater.
- Remove the anode rods.
- Fail to inspect and replace the anode rods (you must retain and present your paid receipts as proof of anode rod replacement).

## **HOW DOES STATE LAW RELATE TO THIS LIMITED WARRANTY?**

This is a limited warranty. WE MAKE NO OTHER EXPRESS WARRANTIES WITH RESPECT TO THIS WATER HEATER. We will not assume, nor authorize any person to assume for us any other liability in connection with the sale or operation of this water heater. ANY IMPLIED WARRANTIES, INCLUDING MERCHANTABILITY OR FITNESS FOR A PARTICULAR APPLICATION, IMPOSED ON THIS SALE UNDER THE LAWS OF THE STATE OF SALE ARE LIMITED TO ONE YEAR. This warranty gives you specific legal rights, and you may also have other rights which vary from state to state. Some states do not allow limitations on how long an implied warranty lasts, so the above limitation may not apply to you.

WE WILL NOT BE RESPONSIBLE FOR WATER DAMAGE, LOSS OF USE OF THE UNIT, INCONVENIENCE, LOSS OR DAMAGE TO PERSONAL PROPERTY, WHETHER DIRECT OR INDIRECT, AND WHETHER ARISING IN CONTRACT OR TORT. Some states do not allow the exclusion of incidental or consequential damages, so the above exclusion may not apply to you.

## NOTES

**Contact your nearest Bock distributor or  
Bock Water Heaters • 110 S. Dickinson St. • Madison, WI 53703  
Phone: 608/257-2225 • FAX: 608/257-5304 • [www.bockwaterheaters.com](http://www.bockwaterheaters.com)**