

To the Installer:

Please attach these instructions next to the water heater.

To the Consumer:

Please read these and all component instructions and keep for future reference.



Installation and Operation Instructions Manual

EZFIT Power Direct Vent Gas Water Heater

Models: EZ 75-76PDV, EZ 100-76PDV



Warranty, Registration Card and Parts List are included.
Homeowner: Please remember to return the Registration Card!

▲ WARNING

Improper installation, adjustment, alteration, service or maintenance can cause serious injury or property damage. Refer to this manual. For assistance or additional information, consult a qualified installer or service agency.

▲ WARNING

If the information in these instructions is not followed exactly, a fire or explosion may result causing property damage, personal injury or death.

▲ WARNING

Install in accordance with all local codes. In the absence of local codes, refer to ANSI 223.1/NFPA 54 and/or CSA B149.1.

▲ CAUTION

The recommended temperature for normal residential use is 120°F. The dial on the aquastat does not always reflect the out-coming water temperature and it could occasionally exceed 120°F. Variation in out-coming temperature could be based on factors including but not limited to usage patterns and type of installation. Test water at the tap nearest to the water heater. See page 32 for measuring the out-coming water temperature.

▲ WARNING

Hotter water increases the risk of scald injury. Before adjusting the water temperature setting, read this instruction manual. Temperatures at which injury occurs vary with the person's age and the length of exposure. The slower reaction time of children, elderly or physically or mentally challenged persons increases the scalding hazard to them. It is recommended that lower water temperatures be used where these exposure hazards exist. Households with small children or invalids may require a temperature setting less than 120°F to prevent accidental contact with hot water. **To produce less than 120°F, use point-of-use temperature limiting devices.**

If higher water temperature is needed in part of the water system, automatic temperature limiting devices must be used on all lines to water taps.

▲ WARNING

Flammable vapors may be drawn to this water heater from other areas of the structure by air currents. Do not store or use any flammable liquids in the vicinity of this heater.

▲ WARNING

Water heater blankets may restrict air flow to the water heater and cause fire, asphyxiation, personal injury or death.

THIS MANUAL HAS BEEN PREPARED TO ACQUAINT YOU WITH THE INSTALLATION, OPERATION, AND MAINTENANCE OF YOUR WATER HEATER AND TO PROVIDE IMPORTANT SAFETY INFORMATION.

Read all instructions thoroughly before attempting installation or operation of your water heater. Keep these instructions for future reference.

Local plumbing and electrical codes must be followed in the installation of this water heater. In the absence of a local code use the UNIFORM PLUMBING CODE and the NFPA Code. Local codes may supersede instructions in this installation manual.

These instructions are a guide for the correct installation of the water heater. The manufacturer will not be liable for damages caused by failure to comply with the installation and operating instructions outlined on the following pages.

Installation, testing, and replacement of gas piping, appliances, or accessories, and repair and servicing of equipment, shall be performed only by a qualified agency.

FAILURE TO FOLLOW THESE INSTRUCTIONS OR ALL APPLICABLE BUILDING CODES AND REGULATIONS VOIDS THE WARRANTY ON THIS WATER HEATER.

IMPORTANT SAFETY INSTRUCTIONS

⚠ WARNING

If the information in these instructions is not followed exactly, a fire or explosion may result causing property damage, personal injury or death.

FOR YOUR SAFETY!

- Do not store or use gasoline or other flammable vapors and liquids in the vicinity of this or any other appliance.
- WHAT TO DO IF YOU SMELL GAS
 - Do not try to light any appliance.
 - Do not touch any electrical switch; do not use any phone in your building.
 - Immediately call your gas supplier from a neighbor's phone. Follow the gas supplier's instructions.
 - If you cannot reach your gas supplier, call the fire department.
- Installation and service must be performed by a qualified installer, service agency or the gas supplier.

⚠ DANGER

Water heaters utilizing Liquefied Petroleum gas (LP) are different from natural gas models. A natural gas heater will not function safely on LP gas and vice versa. To avoid possible equipment damage, personal injury or fire: **DO NOT** connect this water heater to a fuel type not in accordance with the rating label. These units are only certified for a single fuel type.

⚠ DANGER

Failure to properly install the vent and combustion air intake system as outlined in this manual can result in unsafe operation of the water heater. To avoid the risk of fire, explosion, or asphyxiation from carbon monoxide, never operate this water heater unless it is properly vented and has adequate air supply for combustion and dilution of flue gas. Be sure to inspect the system for proper installation at initial start-up; and at least annually thereafter. See the Maintenance section for more information.

SAVE THESE INSTRUCTIONS

TABLE OF CONTENTS

Section I: Specifications 4

Section II: General Information. 5

Section III: Pre-Installation 7

Section IV: Installation 10

Section V: Operation 30

Section VI: Maintenance 33

Section VII: Troubleshooting 35

Section VIII: Parts List. 37

Section IX: Warranty 39

SECTION I: SPECIFICATIONS

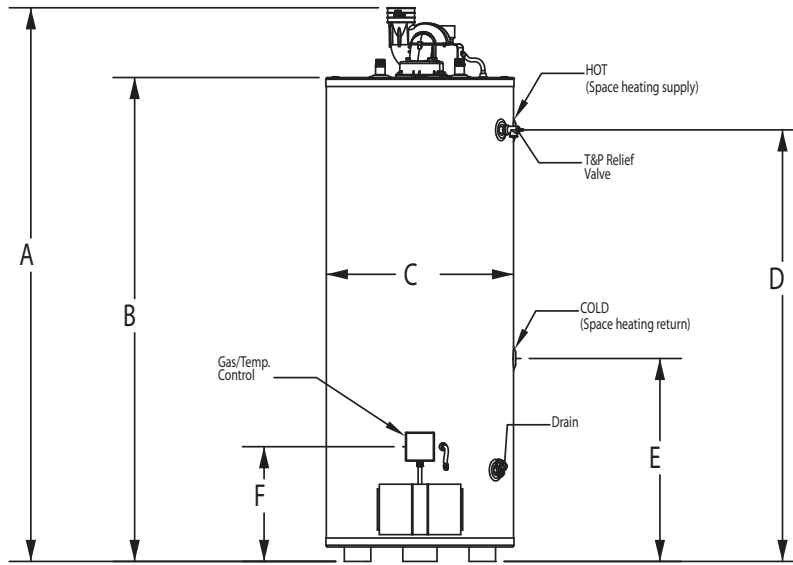
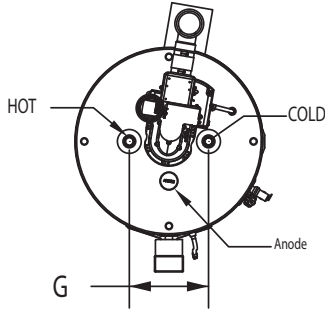


Figure 1: All Models

Table 1: Dimensions

Model	Storage GAL (L)	Rated Input BTU/HR (kW)	Recovery @ 100°F rise GAL/HR (L/HR)	1st Hr. Delivery @ 100°F rise GAL (L)	DIMENSIONS							INCHES (cm)				Shipping Weight LBS (kg)
					A	B	C	D	E	F	G	Inlet Conn. Dia. (NPT)	Outlet Conn. Dia. (NPT)	Aux. Conn. Dia. (NPT)	Gas Conn. Dia. (NPT)	
EZ 75-76PDVN	75 (284)	76000 (22.3)	74 (280)	135 (511)	76.88 (195)	67.25 (171)	26.00 (68)	60.00 (152)	28.19 (72)	16.00 (41)	11.00 (28)	1.00	1.00	1.00	0.50	427 (194)
EZ 100-76PDVN	100 (379)	76000 (22.3)	74 (280)	155 (587)	76.88 (195)	67.25 (171)	28.00 (71)	60.00 (152)	28.19 (72)	16.00 (41)	11.00 (28)	1.00	1.00	1.00	0.50	530 (240)

For LP models change suffix "N" to "LP"

Working Pressure: 150 PSI (1034 kPa)
Test Pressure: 300 PSI (2068 kPa)

For natural gas: Manifold pressure = 4" W.C. (1.00 kPa); Inlet pressure range 5-14" W.C. (1.25 - 3.49 kPa)
For propane gas: Manifold pressure = 10" W.C. (1.00 kPa); Inlet pressure range 11-14" W.C. (2.74 - 3.49 kPa)
T&P valve installed

All Bock products meet or exceed current ASHRAE standards.
These products are design certified by UL (Underwriters Laboratories) and meet ANSI Z21.10.3 / CSA 4.3 requirements for operation up to 180°F (82°C).
Approved for use as a direct vent automatic storage water heater.

WARNING: Installation shall be in accordance with all national and/or local codes. In the absence of local codes, refer to NFPA 54 and/or CSA B149.1.

CAUTION: The recommended maximum hot water temperature setting for normal residential use is 120°F (49°C). Bock recommends a tempering valve or anti-scald valve be installed and used according to the manufacturer's directions to prevent scalding.

SECTION II: GENERAL INFORMATION

WHEN YOU RECEIVE YOUR NEW WATER HEATER

Check the new equipment to see if all components are in good condition. If damage is observed or parts appear to be missing, contact your wholesaler.

WATER TREATMENT/FILTRATION

In areas where poor water conditions are suspected (i.e. lime, iron, and other minerals), it is essential that the water be tested and appropriate action taken to prevent damage to the water heater and ensure the quality of the water.

TEMPERATURE CONTROL

The water heater is equipped with a combination gas valve, ignition control, and thermostat. For domestic hot water, the proper temperature setting is 120°F (i.e. "WARM" setting on control). For commercial applications, the maximum approved temperature setting is 180°F (i.e. "F" setting on control).

A built-in, automatic reset Energy Cut-Off (ECO) is standard on all models. In the event that the water temperature becomes excessive (195°F), the ECO will shut off all gas to the water heater. If the ECO switch opens, it will automatically reset (or close) when the water temperature drops to 120°F or below. The water heater thermostat will automatically reset following a three minute standby period once the ECO switch closes.

The thermostat is factory set at 120°F. See Figure 21 for temperature and display settings. If hotter water is required a tempering device or anti-scald device must be installed at the domestic hot water outlet of the heater or at the point of use. Table 3 details the approximate relationship of water temperature and time with regard to scald injury. It is important for the user to understand the necessity of tempering or anti-scald devices when using hotter water in domestic water heating systems.

⚠ CAUTION: Hot water in excess of 120°F can cause scalding!

Bock recommends a tempering valve or anti-scald valve be installed and used according to the manufacturer's directions to prevent scalding. Many state and local codes now require installation of these devices. Point of use temperature may be hotter than the setting on the water heater thermostat. The tempering valve or anti-scald valve will ensure potable water temperatures at the desired set point with a higher degree of accuracy.

Table 2: Scald Temperature/Time Relationships

APPROXIMATE TEMPERATURE/TIME RELATIONSHIPS TO SCALDING	
120°F (49°C)	More than 5 minutes
125°F (52°C)	1 ½ to 2 minutes
130°F (54°C)	About 30 seconds
135°F (57°C)	About 10 seconds
140°F (60°C)	Less than 5 seconds
145°F (63°C)	Less than 3 seconds
150°F (66°C)	About 1 ½ seconds
155°F (68°C)	About 1 second



SECTION II: GENERAL INFORMATION (cont.)

ANODE RODS

The anode rod is used as a sacrificial element within the volume of the storage tank. The purpose of the magnesium anode rod is to protect the inside of the tank against corrosion. Anode rods should be inspected twice in the first year and at least yearly once a time interval for inspection has been developed. Water conditions can influence the consumption rate of the anode rods. Please see the Maintenance section of this manual for instructions on how to change the anode rods.

⚠ CAUTION

Hydrogen gas is produced in a hot water system served by the heater that has not been used for a long period of time (2 weeks or more). Hydrogen gas is extremely flammable. To reduce the risk of injury under these conditions, it is recommended that the hot water faucet be opened for several minutes at the kitchen sink before using any electrical appliance connected to the hot water system. When hydrogen is present, there will probably be an unusual sound such as air escaping through the pipe as the water begins to flow. There should be no smoking or open flame near the faucet at the time it is open.

TEMPERATURE AND PRESSURE RELIEF VALVE (T&P)

⚠ CAUTION

To reduce the risk of excessive pressures and temperatures in this water heater, install temperature and pressure protective equipment required by local codes and no less than a combination temperature and pressure relief valve certified by a nationally recognized testing laboratory that maintains periodic inspection of production of listed equipment or materials, as meeting the requirements for Relief Valves and Automatic Gas Shutoff Devices for Hot Water Supply Systems, ANSI Z21.22. This valve must be marked with a maximum set pressure not to exceed the marked maximum working pressure of the water heater. Install the valve in an opening provided and marked for this purpose in the water heater, and orient it or provide tubing so that any discharge from the valve exits only within 6 inches above, or at any distance below, the structural floor, and does not contact any live electrical part. The discharge opening must not be blocked or reduced in size under any circumstances.

⚠ CAUTION

Scalding injury and/or water damage can occur from either the manual lifting of the lever or the normal operation of the T&P valve. If it is not piped to a proper drain. If the valve fails to flow water or reseal, call your plumber.

The T&P valve is factory installed. A discharge drain tube must be installed (responsibility of the installer) and shall terminate plain, not threaded, 6 inches above the floor drain. The drain tube material must be approved for temperatures of 120°F or greater and a pressure of 150 PSI or greater.

SECTION II: GENERAL INFORMATION (cont.)

BACKFLOW PREVENTER (CLOSED SYSTEM)

Some local municipal codes and ordinances require the use of these devices on potable (domestic) water lines. Where backflow preventers, check valves, or pressure regulating valves are required, it will be necessary to install a **thermal expansion tank** (designed for use with potable water) in order to prevent pressure build up in the water heater and associated piping, which could cause the T&P valve to discharge. Follow the expansion tank manufacturer's recommendations when selecting a tank for your hot water system. The expansion tank pressure shall equal the water heater system pressure prior to initial warm up.

Note: Working pressure of the water heater is 150 PSI. Do not exceed 150 PSI.

CONDENSATION

In some installations condensation will occur in the venting (exhaust) system. It is important to not allow condensate to collect around mechanical components and bare metal parts on the water heater. Therefore, if condensation occurs in the venting system it must be routed to a proper area for drainage. Horizontal sections of the vent system shall slope downward away from the water heater a minimum of 1/8" per foot. When downward sloping of the vent system is not possible or a vertical vent arrangement is used, the condensate drain kit must be installed. See Section IV: Installation / Vent and Combustion Air Intake / Condensate Drain Kit for installation details.

HIGH ALTITUDE

Contact Bock Water Heaters for installations at altitudes greater than 2,000 feet above sea level.

SECTION III: PRE-INSTALLATION

LOCATION

▲ CAUTION

This water heater must be located in an area where leakage of the tank, water line connections, or the temperature and pressure relief valve will not result in damage to the area adjacent to the water heater or to lower floors of the structure. When such location cannot be avoided, a suitable drain pan must be installed under the water heater. The drain pan depth must be suitable for draining and collecting water. The drain pan can be purchased from your plumbing professional. The drain pan must be piped to an adequate drain and all drain piping must be at least 0.75" in diameter and pitched for proper drainage.

▲ CAUTION

DO NOT store or use gasoline or other flammable, combustible, or corrosive vapors and/or liquids in the vicinity of the water heater or any other appliance.

IF YOU SMELL GAS:

- **DO NOT** try to light any appliance.
- **DO NOT** touch any electric switch; do not use any telephone in your building.
- Immediately call your gas supplier from a telephone in another building. Follow your gas supplier's instructions.
- If you cannot reach your gas supplier, call the fire department.

DO NOT OPERATE THE APPLIANCE UNTIL THE LEAKAGE IS CORRECTED!

SECTION III: PRE-INSTALLATION (cont.)

⚠ CAUTION

Do not drop water heater or lay heater down on its side. Move the water heater into position by sliding or using an appropriately sized hand truck.

⚠ CAUTION

If the water heater is installed directly on carpeting, the water heater shall be installed on a metal or wood panel extending beyond the full width and depth of the water heater by at least 3 inches (76.2 mm) in any direction or, if the water heater is installed in an alcove or closet, the entire floor shall be covered by the panel. The panel must be strong enough to carry the weight of the heater when full of water.

NOTE: Locate the heater so it is not subject to physical damage from moving vehicles or flooding. Do not locate the water heater in a room where swimming pool chemicals or large quantities of water softener salt are kept. Installing a water heater in this environment will result in premature failure of tank and burner components due to corrosion caused by these elements diffusing into the air.

The water heater can be installed on combustible or non-combustible flooring. Maintain clearances specified in this manual and in accordance with the National Fuel Gas Code (NFPA 54, ANSI Z223.1) unless otherwise directed by state and local code requirements. Locate the water heater such that plastic vent pipe lengths and the number of connection fittings are minimized.

Minimum clearances from combustible construction are:

Table 3: Clearances

SIDES	BACK ¹	FRONT ²	TOP ³
0 in. (0 cm)	6 in. (15 cm)	24 in. (61 cm)	26 in. (66 cm)

1) Measured from water heater jacket to wall. This clearance accommodates the air intake boot.

2) Measured from jacket to closet door.

3) Measured from water heater top to ceiling.

This water heater is approved for installation in a closet or alcove with the clearances above.

COMBUSTION AND VENTILATION AIR

The water heater can be installed to utilize combustion air from either inside or outside the building. Refer to "Section IV: Installation" for detailed venting specifications. If indoor air is used for combustion air it is imperative that the room has an adequate air supply. Inadequate air supplies may lead to unsafe levels of carbon monoxide (CO), condensation of flue gases, and excessive levels of soot. See NFPA 54 or the discussions of "Unconfined Space" and "Confined Space" below. In addition, poor ventilation will also result in hot spots around the heater. Temperatures over 90°F near the water heater generally indicate a lack of ventilation.

SECTION III: PRE-INSTALLATION (cont.)

UNCONFINED SPACE

Unconfined space is defined by NFPA 54 as a space with a volume greater than 50 cubic feet (during typical use) per 1000 BTUH of the total combined input of all fuel burning appliances in the space. Rooms leading directly to the installation space through doors that cannot be closed can be considered part of the space. **Exception:** *Buildings with full vapor barriers, tight doors and windows or air infiltration rates of less than 0.35 air changes per hour will be considered a confined space and require additional air supplies.*

CONFINED SPACE

Confined space is defined by NFPA 54 as a space with a volume less than 50 cubic feet (during typical use) per 1000 BTUH of the total combined input of all fuel burning appliances in the space. Buildings or rooms of unusually tight construction are also considered a confined space. See “**Unconfined Space: Exception**”.

When installing fuel burning appliances in a confined space, air must be supplied to that space from either inside or outside of the building as conditions allow.

A. Inside Air Supply: A confined space shall be provided with two permanent openings; one within 12 inches of the top and one within 12 inches of the bottom of the enclosure. These openings shall lead directly to room(s) of sufficient volume so that the combined volume of all the space meets the criteria for unconfined space. Each opening shall have a minimum free area of 1 square inch per 1000 Btu/hr of the combined total input of all fuel burning appliances in the space. Each opening shall have an area of not less than 100 square inches or a minimum dimension of not less than 3 inches.

B. Outside Air Supply: Confined spaces shall be provided with two permanent openings; one within 12 inches of the top and one within 12 inches of the bottom of the enclosure. These openings shall communicate directly, or by ducts, with the outdoors or spaces that communicate with the outdoors.

1.) Leading directly to the outside or through vertical ducts: Each opening shall have a minimum free area of one square inch per 4000 Btu/hr of total input rating of all equipment in the enclosure.

2.) Leading to outside through horizontal ducts: Each opening shall have a minimum free area of one square inch per 2000 Btu/hr of total input rating of all equipment in the enclosure.

Note: All ducts shall have the same cross sectional area as the free area of each opening to which they connect. The minimum dimensions of all ducts shall not be less than three inches. Powered combustion air supplies are also commercially available and may be used.

LOUVERS & GRILLES

In calculating the free area of an opening, consideration must be given to the blocking effects of louvers or grilles protecting the opening. Any screens used must be no finer than ¼ inch mesh. If the free area of a louver or grille is known, this should be used in calculating the size of opening required. If free area is unknown, it may be assumed that wood louvers will have 20 to 25% free area and metal louvers and grilles will have 60 to 75% free area. Louvers and grilles should be fixed in the open position or interlocked with the equipment so that they open automatically during equipment operation.

SECTION IV: INSTALLATION

VENT & COMBUSTION AIR INTAKE

DANGER

Failure to properly install the vent and combustion air intake system as outlined in this manual can result in unsafe operation of the water heater. To avoid the risk of fire, explosion, or asphyxiation from carbon monoxide, never operate this water heater unless it is properly vented and has adequate air supply for combustion and dilution of flue gas. Be sure to inspect the system for proper installation at initial start-up; and at least annually thereafter. See the Maintenance section for more information.

The water heater venting and combustion air intake can be installed as a power direct vent system (combustion air from outside the building) or power vent system (combustion air from inside the building). Vertical or horizontal (side-wall) configurations may be used with a two-pipe or concentric vent termination.

Note: If air from inside the building will be used for combustion air, the requirements in Section III, "Unconfined Space" must be met.

The water heater is supplied with a rubber coupling (with clamps) that connects to the blower assembly outlet. The air intake piping is preassembled to route dilution air to the blower assembly and combustion air to the burner chamber. All vent length measurements specified in this manual are in addition to the preassembled piping supplied with the water heater. Equivalent pipe run lengths shall not be greater than the maximum lengths (or less than minimums) given in Tables 4 and 5.

Note: DO NOT connect the water heater to an existing vent or chimney. It must be vented separately from all other appliances.

The following materials are approved for use as the vent and combustion air intake piping:

- PVC (DWV, ASTM-D2665 or CSA B181.2)
- PVC (Schedule 40, ASTM-D1785 or CSA B137.3)
- PVC (SDR Series, ASTM-D2241 or CSA B137.3)
- CPVC (Schedule 40, ASTM-F441 or CSA B137.3)
- CPVC (SDR Series, ASTM-F442)
- ABS (Schedule 40, DWV, ASTM-D2661 or CSA B181.1)

In Canada, check local codes to ensure that SDR series is approved for use. SDR is not approved for all installations in Canada.

The following materials are approved for use for the fittings in the vent and combustion air intake systems:

- PVC (Schedule 40 DWV, ASTM D2665)
- CPVC (Schedule 40, ASTM F438)
- ABS (Schedule 40 DWV, ASTM D2661)

Please contact Bock Water Heaters for questions regarding materials that are not listed above.

SECTION IV: INSTALLATION (cont.)

VENT & COMBUSTION AIR INTAKE (cont.)

NOTICE

Installations in Canada must conform to the requirements of CSA B149 code. Plastic vent systems must be assembled with pipe, fittings, cements, and primers listed to ULC S636. Components of this listed system shall not be interchanged with other vent systems or unlisted pipe/fittings. In Canada, the primer and cement must be of the same manufacturer as the vent system; do not mix primers and cements from one manufacturer with a vent system from a different manufacturer. The supplied plastic pipe/fittings are certified as part of the water heater.

Minimum and Maximum System Lengths

The water heater should be located such that plastic vent pipe lengths and the number of connection fittings are minimized. Minimum and maximum equivalent pipe lengths for the vent and combustion air intake systems are given in Tables 4 and 5. Either 3 in. or 4 in. plastic piping may be used. The water heater is provided with fittings that readily adapt to 3 in. plastic pipe. DO NOT use less than 3 in. diameter plastic pipe and DO NOT use unequal sizes except as shown to increase from 3 in. to 4 in. diameter at the point of connection to the water heater.

NOTE: The equivalent straight pipe length of a 90°, 1/4 inch standard bend elbow and a 45°, 1/8 inch standard bend elbow is 5 feet and 2.5 feet, respectively. The concentric vent termination is equivalent to 10 feet of straight pipe. DO NOT use short bend elbows.

NOTE: Elbows used as termination fittings must be included when determining the total number of elbows.

Table 4: Minimum and Maximum Vent and Air Intake Pipe Lengths (Two-Pipe Terminations)

Model(s)	Pipe Ø (in)	Minimum Equivalent Pipe Length (per pipe run)		Maximum Equivalent Pipe Length (per pipe run)	
		Air Intake Ft (m)	Vent Ft (m)	Air Intake Ft (m)	Vent Ft (m)
EZ 75-76PDV, EZ 100-76PDV	3	5 (1.52)	12 (3.66)	55 (16.76)	55 (16.76)
	4	5 (1.52)	12 (3.66)	85 (25.91)	85 (25.91)

Table 5: Minimum and Maximum Vent and Air Intake Pipe Lengths (Concentric Termination)

Model(s)	Pipe Ø (in)	Minimum Equivalent Pipe Length (per pipe run)		Maximum Equivalent Pipe Length (per pipe run)	
		Air Intake Ft (m)	Vent Ft (m)	Air Intake Ft (m)	Vent Ft (m)
EZ 75-76PDV, EZ 100-76PDV	3	5 (1.52)	12 (3.66)	45 (13.72)	45 (13.72)
	4	5 (1.52)	12 (3.66)	75 (22.86)	75 (22.86)

SECTION IV: INSTALLATION (cont.)

VENT & COMBUSTION AIR INTAKE (cont.)

For quick reference, Tables 6 and 7 give the maximum allowable length of straight pipe based on the total number of elbows per pipe run.

Table 6: Maximum Pipe Lengths Quick Reference (Two-Pipe Terminations)

Model(s)	Pipe Ø (in)	# of 90° Elbows per pipe run (including termination fittings)	Maximum Equivalent Pipe Length (per pipe run)		
			Air Intake Ft (m)	Vent Ft (m)	
EZ 75-76PDV, EZ 100-76PDV	3	0	55 (16.76)	55 (16.76)	
	3	1	50 (15.24)	50 (15.24)	
	3	2	45 (13.72)	45 (13.72)	
	3	3	40 (12.19)	40 (12.19)	
	3	4	35 (10.67)	35 (10.67)	
	3	5	30 (9.14)	30 (9.14)	
	3	6	25 (7.62)	25 (7.62)	
	4	0	85 (25.91)	85 (25.91)	
	4	1	80 (24.38)	80 (24.38)	
	4	2	75 (22.86)	75 (22.86)	
	4	3	70 (21.34)	70 (21.34)	
	4	4	65 (19.81)	65 (19.81)	
	4	5	60 (18.29)	60 (18.29)	
4	6	55 (16.76)	55 (16.76)		

Table 7: Maximum Pipe Lengths Quick Reference (Concentric Termination)

Model(s)	Pipe Ø (in)	# of 90° Elbows per pipe run (including termination fittings)	Maximum Equivalent Pipe Length (per pipe run)		
			Air Intake Ft (m)	Vent Ft (m)	
EZ 75-76PDV, EZ 100-76PDV	3	0	45 (13.72)	45 (13.72)	
	3	1	40 (12.19)	40 (12.19)	
	3	2	35 (10.67)	35 (10.67)	
	3	3	30 (9.14)	30 (9.14)	
	3	4	25 (7.62)	25 (7.62)	
	3	5	20 (6.10)	20 (6.10)	
	3	6	15 (4.57)	15 (4.57)	
	4	0	75 (22.86)	75 (22.86)	
	4	1	70 (21.34)	70 (21.34)	
	4	2	65 (19.81)	65 (19.81)	
	4	3	60 (18.29)	60 (18.29)	
	4	4	55 (16.76)	55 (16.76)	
	4	5	50 (15.24)	50 (15.24)	
4	6	45 (13.72)	45 (13.72)		

SECTION IV: INSTALLATION (cont.)

VENT & COMBUSTION AIR INTAKE (cont.)

The vent and combustion air intake systems must be sufficiently supported along vertical and horizontal sections. At minimum, it is recommended that a support is placed along the vent or air intake piping every 4 feet. For horizontal systems, the first support shall be located immediately adjacent to the first 90-deg. elbow following the vertical section connected to the water heater. The support method should act to isolate the vent and combustion air intake piping from floor joists or other structural members to reduce transmission of noise and vibration.

NOTE: Do not support, pin, or secure the vent and combustion air intake pipe in a way that restricts the normal thermal expansion and contraction of the venting material.

For replacement installations, thoroughly inspect the existing vent and combustion air intake systems prior to installing the new water heater. The following steps shall be taken to properly inspect the existing vent system:

- Verify that the materials as specified in this manual have been used.
- Verify the maximum and minimum vent and combustion air intake equivalent lengths and terminal clearances meet the specifications in this manual.
- Inspect the vent and combustion air intake systems for cracking. Pay close attention to joints between elbows and straight pipe.
- Inspect the system for misalignment of components. This may lead to sagging and unwanted stresses in the joints.

If any corrections are required they must be computed before installing the replacement water heater.

Horizontal Venting, Direct Vent 2-pipe termination

This water heater may be vented horizontally (through a sidewall) with a two-pipe termination. Two holes through an exterior wall are required for the vent and combustion air intake pipes. Minimum clearances between the terminals must be met as specified in Figure 3. All clearances must comply with local codes or the latest edition of NFPA 54/ANSI Z223.1 or CSA B149. See Figure 2 and Table 8 for terminal clearances.

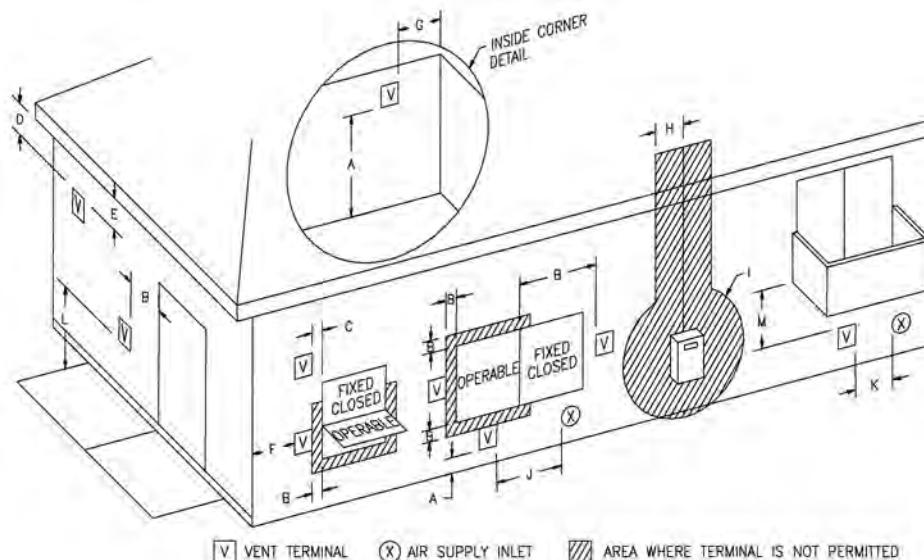


Figure 2: Terminal Clearances

SECTION IV: INSTALLATION (cont.)

VENT & COMBUSTION AIR INTAKE (cont.)

Table 8: Direct Vent Terminal Clearances

	Canadian Installations ¹	US Installations ²
A = Clearance above grade, veranda, porch, deck, or balcony	12 inches (30 cm)	12 inches (30 cm)
B = Clearance to window or door that may be opened	12 inches (30 cm)	12 inches (30 cm)
C = Clearance to permanently closed window	*	*
D = Vertical clearance to ventilated soffit located above the terminal within a horizontal distance of 2 feet (61 cm) from the centerline of the terminal	*	*
E = Clearance to unventilated soffit	*	*
F = Clearance to outside corner	*	*
G = Clearance to inside corner	*	*
H = Clearance to each side of centerline extended above meter/regulator assembly	3 feet (91 cm) within a height 15 feet above the meter/regulator assembly	*
I = Clearance to service regulator vent outlet	3 feet (91 cm)	*
J = Clearance to non-mechanical air supply inlet to building or the combustion air inlet to any other appliance	12 inches (30 cm)	12 inches (30 cm)
K = Clearance to a mechanical air supply inlet	6 feet (1.83 m)	3 feet (91 cm) above if within 10 feet (3 m) horizontally
L = Clearance above paved sidewalk or paved driveway located on public property	7 feet (2.13 m)†	*
M = Clearance under veranda, porch, deck, or balcony	12 inches (30 cm)‡	*

¹ In accordance with the current CSA B149.1 *Natural Gas and Propane Installation Code*.

² In accordance with the current ANSI Z223.1 / NFPA 54 *National Fuel Gas Code*.

† A vent shall not terminate directly above a sidewalk or paved driveway that is located between two single family dwellings and serves both dwellings.

‡ Permitted only if veranda, porch, deck, or balcony is fully open on a minimum of two sides beneath the floor.

* Clearance in accordance with local installation codes and the requirements of the gas supplier.

In addition to the clearances specified, the following items shall be accounted for during installation:

- Do not terminate near soffit vents or crawl space or other area where condensate or vapor could create a nuisance hazard or cause property damage.
- Do not locate the exhaust vent terminal where condensate or vapor could cause damage or could be detrimental to the operation of regulators, relief valves, or other equipment.
- Do not locate the exhaust vent terminal over public area or walkways where condensate or vapor can cause nuisance or hazard.
- Do not locate the vent terminal in proximity to plants/shrubs.
- The vent and air intake shall terminate a minimum of 12" (25.4 cm) above expected snowfall level to prevent blockage.

CAUTION

Never install air intake terminal above vent (exhaust) terminal.

SECTION IV: INSTALLATION (cont.)

VENT & COMBUSTION AIR INTAKE (cont.)

Install piping through the wall as shown in Figure 3. Adequate length of pipe must protrude beyond the exterior wall for attachment of the termination fitting. The recommended distance between the terminal fitting and the exterior wall is 1 in. (2.5 cm). Directions for cementing joints (such as the terminal fittings to the straight pipe) can be found on page 24. Two 45° elbows are provided with the water heater for termination fittings. If other fittings are required (i.e. 90° elbows) they must be purchased separately. Install a screen inside the air intake termination fitting to prevent items from entering the system. Complete the installation of the remainder of the vent and air intake system and attach to the water heater as shown in Figure 4. It is recommended that horizontal sections of piping slope downward away from the water heater a minimum of 1/8 inch per foot (10mm per meter) to prevent condensate from flowing back towards the water heater.

⚠ CAUTION

Annular spaces around vent pipe wall penetrations shall be permanently sealed using approved materials to prevent entry of combustion products into the building.

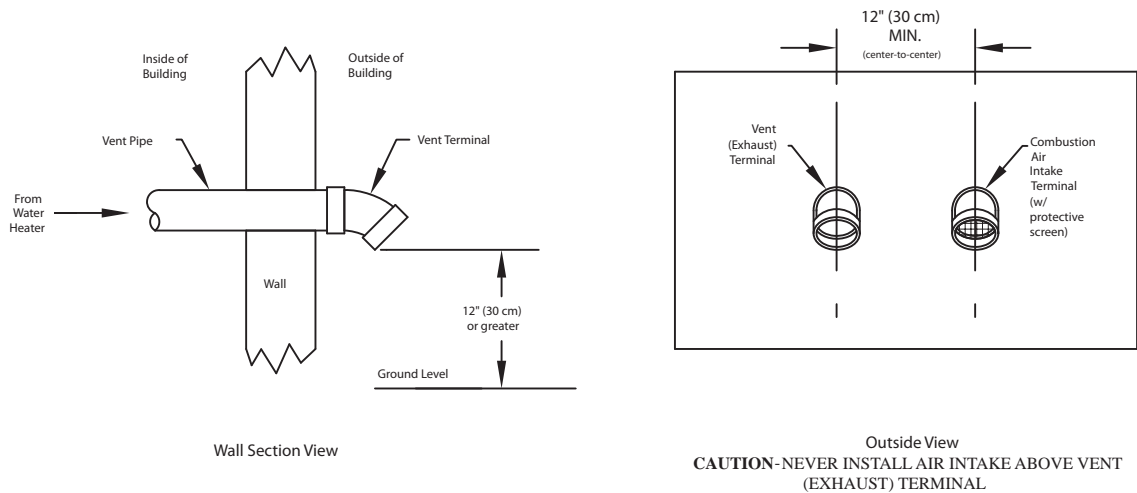


Figure 3: Horizontal Venting, 2-pipe termination

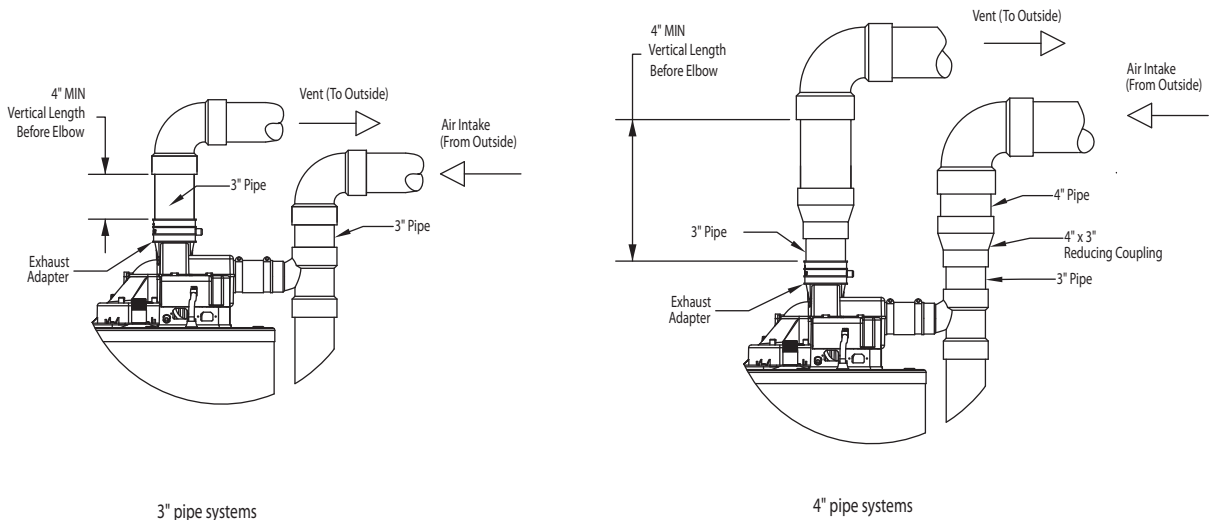


Figure 4: Horizontal Direct Vent Connections to Water Heater

SECTION IV: INSTALLATION (cont.)

VENT & COMBUSTION AIR INTAKE (cont.)

Horizontal Venting, Power Vent 1-pipe termination

This water heater may be vented horizontally (through a sidewall) with a one-pipe termination. In this case, the water heater will be utilizing air from inside the building for combustion air. A single hole through the exterior of the building is required for the vent pipe.

Note: If air from inside the building will be used for combustion air, the requirements in Section III, "Unconfined Space" must be met.

All clearances must comply with local codes or the latest edition of NFPA 54/ANSI Z223.1 or CSA B149. See Figure 5 and Table 9 for vent terminal clearances.

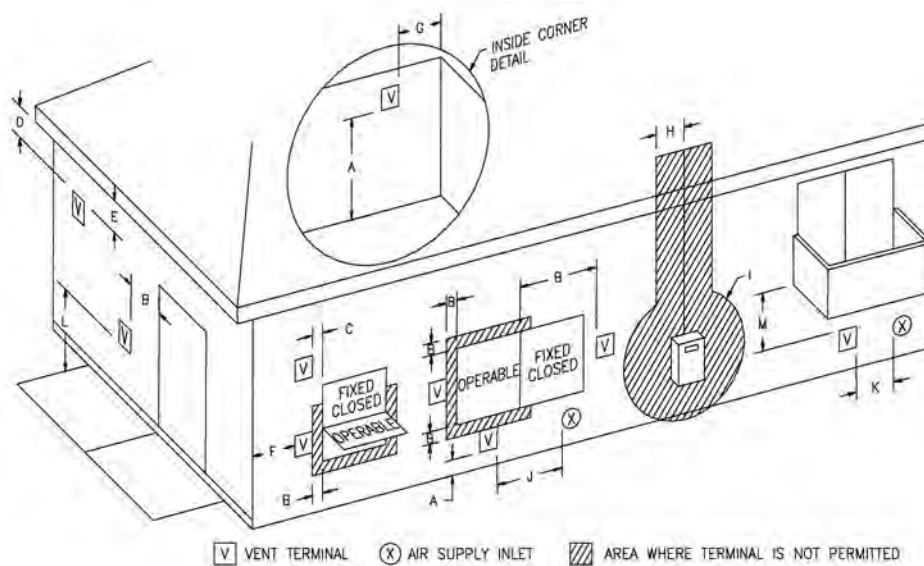


Figure 5: Terminal Clearances

SECTION IV: INSTALLATION (cont.)

VENT & COMBUSTION AIR INTAKE (cont.)

Table 9: Power Vent Terminal Clearances

	Canadian Installations ¹	US Installations ²
A = Clearance above grade, veranda, porch, deck, or balcony	12 inches (30 cm)	12 inches (30 cm)
B = Clearance to window or door that may be opened	12 inches (30 cm)	4 feet (1.2 m) below or to side of opening; 1 foot (300 mm) above opening
C = Clearance to permanently closed window	*	*
D = Vertical clearance to ventilated soffit located above the terminal within a horizontal distance of 2 feet (61 cm) from the centerline of the terminal	*	*
E = Clearance to unventilated soffit	*	*
F = Clearance to outside corner	*	*
G = Clearance to inside corner	*	*
H = Clearance to each side of centerline extended above meter/regulator assembly	3 feet (91 cm) within a height 15 feet above the meter/regulator assembly	*
I = Clearance to service regulator vent outlet	3 feet (91 cm)	*
J = Clearance to non-mechanical air supply inlet to building or the combustion air inlet to any other appliance	12 inches (30 cm)	4 feet (1.2 m) below or to side of opening; 1 foot (300 mm) above opening
K = Clearance to a mechanical air supply inlet	6 feet (1.83 m)	3 feet (91 cm) above if within 10 feet (3 m) horizontally
L = Clearance above paved sidewalk or paved driveway located on public property	7 feet (2.13 m)†	7 feet (2.13 m)
M = Clearance under veranda, porch, deck, or balcony	12 inches (30 cm)‡	*

¹ In accordance with the current CSA B149.1 Natural Gas and Propane Installation Code.

² In accordance with the current ANSI Z223.1 / NFPA 54 National Fuel Gas Code.

† A vent shall not terminate directly above a sidewalk or paved driveway that is located between two single family dwellings and serves both dwellings.

‡ Permitted only if veranda, porch, deck, or balcony is fully open on a minimum of two sides beneath the floor.

* Clearance in accordance with local installation codes and the requirements of the gas supplier.

In addition to the clearances specified, the following items shall be accounted for during installation:

- Do not terminate near soffit vents or crawl space or other area where condensate or vapor could create a nuisance hazard or cause property damage.
- Do not locate the exhaust vent terminal where condensate or vapor could cause damage or could be detrimental to the operation of regulators, relief valves, or other equipment.
- Do not locate the exhaust vent terminal over public area or walkways where condensate or vapor can cause nuisance or hazard.
- Do not locate the vent terminal in proximity to plants/shrubs.
- The vent and air intake shall terminate a minimum of 12" (25.4 cm) above expected snowfall level to prevent blockage.

CAUTION

Never install air intake terminal above vent (exhaust) terminal.

SECTION IV: INSTALLATION (cont.)

VENT & COMBUSTION AIR INTAKE (cont.)

Install piping through the wall as shown in Figure 6. Adequate length of pipe must protrude beyond the exterior wall for attachment of the termination fitting. The recommended distance between the terminal fitting and the exterior wall is 1 in. (2.5 cm). Directions for cementing joints (such as the terminal fittings to the straight pipe) can be found on page 24. Two 45° elbows are provided with the water heater for termination fittings. If other fittings are required (i.e. 90° elbows) they must be purchased separately. Install a screen inside the air intake termination fitting to prevent items from entering the system. Complete the installation of the remainder of the vent and air intake system and attach to the water heater as shown in Figure 7. It is recommended that horizontal sections of piping slope downward away from the water heater a minimum of 1/8 inch per foot (10 mm per meter) to prevent condensate from flowing back towards the water heater.

⚠ CAUTION

Annular spaces around vent pipe wall penetrations shall be permanently sealed using approved materials to prevent entry of combustion products into the building.

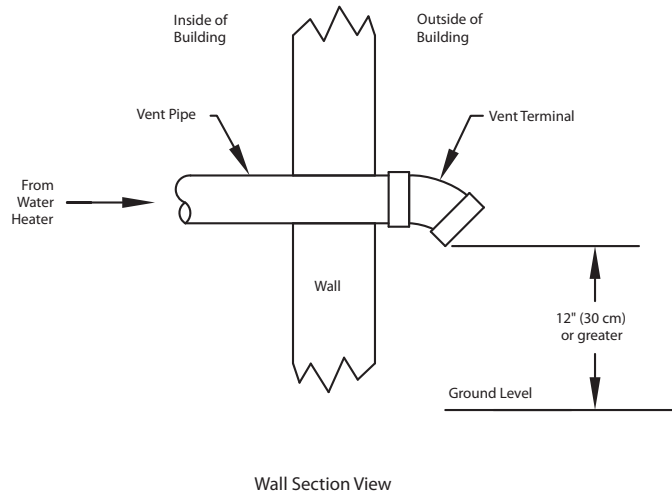


Figure 6: Horizontal Venting, 1-pipe termination

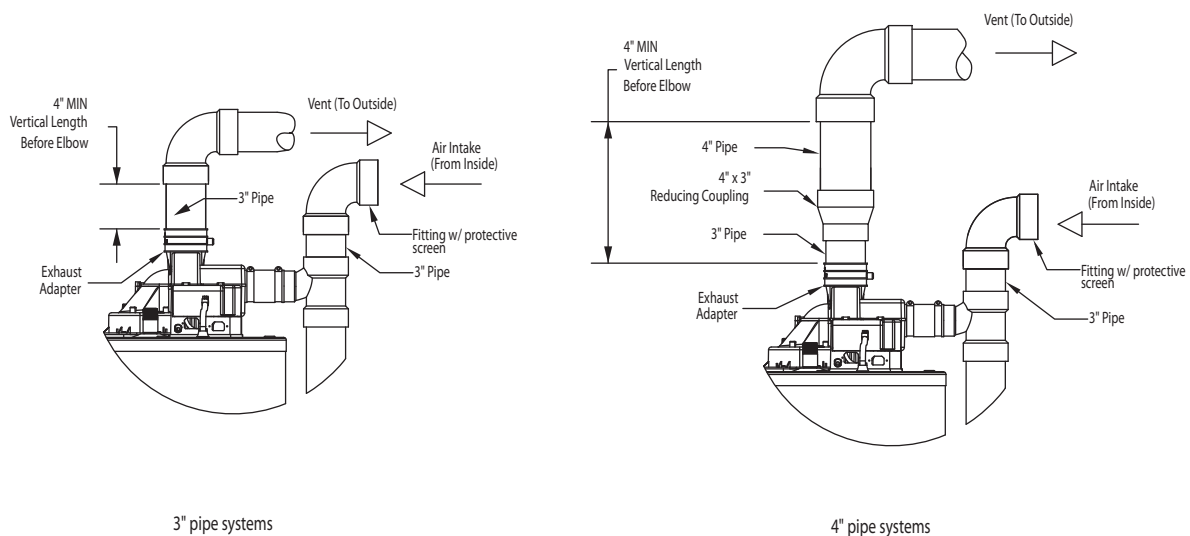


Figure 7: Horizontal Power Vent Connections to Water Heater

SECTION IV: INSTALLATION (cont.)

VENT & COMBUSTION AIR INTAKE (cont.)

Horizontal Venting, Direct Vent Concentric termination

This water heater may be vented horizontally (through a sidewall) with a concentric vent termination kit. One hole through an exterior wall is required for the concentric vent. Both combustion air intake and vent pipes must be attached to the concentric vent termination.

All clearances must comply with local codes or the latest edition of NFPA 54/ANSI Z223.1 or CSA B149. See Figure 2 and Table 8 for terminal clearances. See Figure 8 for additional information.

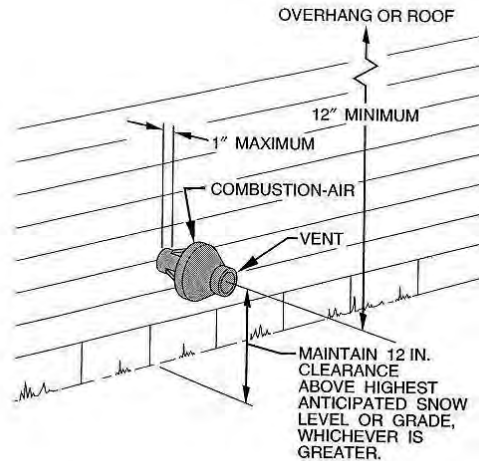


Figure 8: Concentric Vent Wall Clearances

Cut a 5 in. diameter hole through an exterior wall. Make sure the wye concentric fitting is cemented to the large diameter pipe and that the rain cap is cemented to the small diameter pipe. Install the wye concentric fitting and large pipe assembly through the 5 in. diameter hole in the wall. See Figure 9 for wall attachment details.

⚠ CAUTION

Annular spaces around vent pipe wall penetrations shall be permanently sealed using approved materials to prevent entry of combustion products into the building.

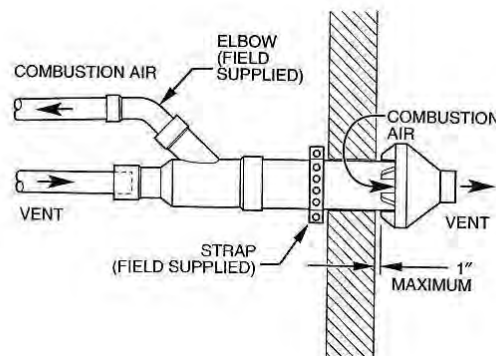


Figure 9: Concentric Vent Wall Installation

Note: Do not allow insulation or other materials to accumulate inside pipe assembly when installing through the wall.

SECTION IV: INSTALLATION (cont.)

VENT & COMBUSTION AIR INTAKE (cont.)

Install the rain cap and small pipe assembly into the wye concentric fitting and large pipe assembly. Ensure small diameter pipe is bottomed and cemented in wye concentric fitting. Complete indoor piping runs and connect piping to the water heater. See Figure 4, 3" pipe systems, for connection details. It is recommended that horizontal sections of piping slope downward away from the water heater a minimum of 1/8 inch per foot (10 mm per meter) to prevent condensate from flowing back towards the water heater. Piping must be sufficiently supported. At minimum, it is recommended that a support is placed along the vent or air intake piping every 4 feet. For additional information, see installation instructions supplied with concentric vent kit.

Vertical Venting, Direct Vent 2-pipe termination

This water heater may be vented vertically (through a roof) with a two-pipe termination. Two holes through the roof are required for the vent and combustion air intake pipes. All clearances must comply with local codes or the latest edition of NFPA 54/ANSI Z223.1 or CSA B149. As a basic guide, the following minimum clearances shall be used:

- Minimum 12 inches (30 cm) above roof.
- Minimum 12 inches (30 cm) above anticipated snow level.
- Maximum 24 inches (61 cm) above roof level without additional support for vent.
- 4 feet (1.2 m) from any gable, dormer or other roof structure with building interior access (e.g. vent or window).
- 10 feet (3 m) from any forced air inlet to the building. Any fresh or make-up air inlet such as a dryer or furnace area is considered to be a forced air inlet.
- Minimum 12 inches (30 cm) between the vent and combustion air intake terminal centerlines.

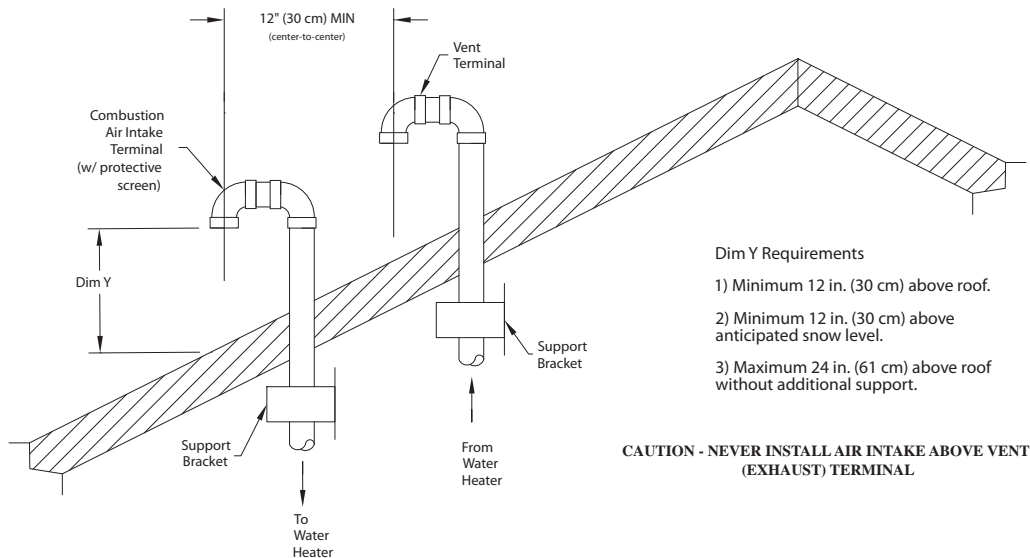


Figure 10: Vertical Venting, 2-pipe termination

⚠ CAUTION

Never install air intake terminal above vent (exhaust) terminal.

SECTION IV: INSTALLATION (cont.)

VENT & COMBUSTION AIR INTAKE (cont.)

Install piping through the roof as shown in Figure 10. Adequate length of pipe must protrude beyond the exterior of the roof (see dimension Y). Directions for cementing joints (such as the terminal fittings to the straight pipe) can be found on page 24. Two 90° elbows are recommended for the intake and exhaust terminations to reduce the risk of rain, snow, or foreign objects entering the system. Install a screen inside the air intake termination fitting as well. Complete the installation of the remainder of the vent and air intake system and attach to the water heater. Piping must be sufficiently supported. At minimum, it is recommended that a support is placed along the vent or air intake piping every 4 feet. For vertical venting, the condensate drain kit must be installed to the exhaust adapter.

⚠ CAUTION

Annular spaces around vent pipe wall penetrations shall be permanently sealed using approved materials to prevent entry of combustion products into the building.

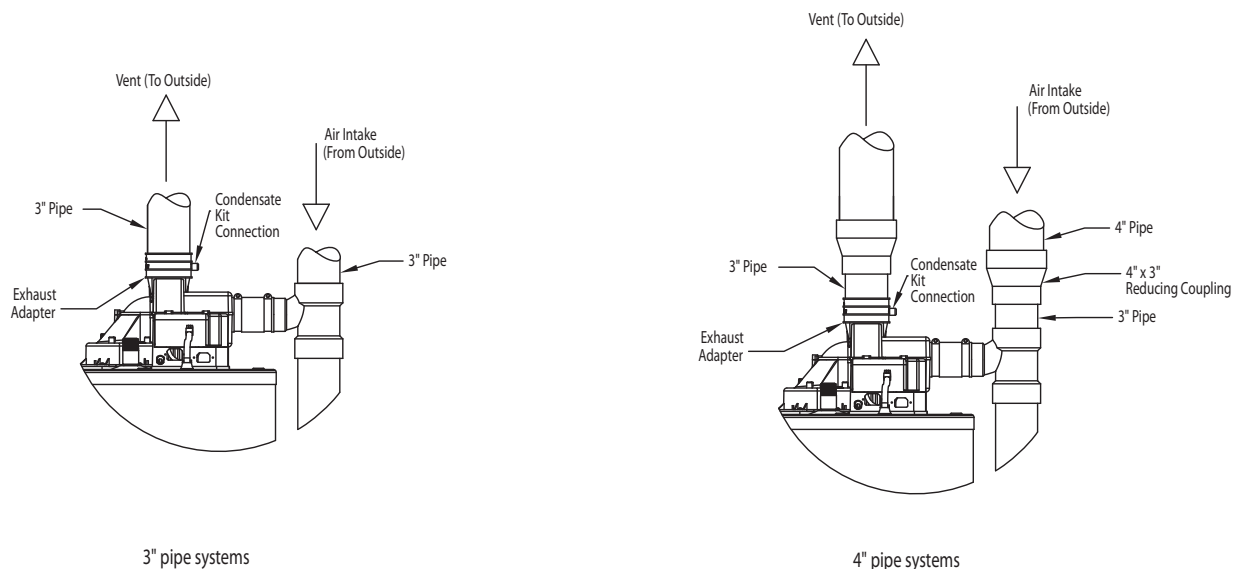


Figure 11: Vertical Direct Vent Connections to Water Heater

Vertical Venting, Power Vent 1-pipe termination

This water heater may be vented vertically (through a roof) with a one-pipe termination. In this case, the water heater will be utilizing air from inside the building for combustion air. A single hole through the roof of the building is required for the vent pipe.

Note: If air from inside the building will be used for combustion air, the requirements in Section III, "Unconfined Space" must be met.

All clearances must comply with local codes or the latest edition of NFPA 54/ANSI Z223.1 or CSA B149. As a basic guide, the following minimum clearances shall be used:

- Minimum 12 inches (30 cm) above roof.
- Minimum 12 inches (30 cm) above anticipated snow level.
- Maximum 24 inches (61 cm) above roof level without additional support for vent.
- 4 feet (1.2 m) from any gable, dormer or other roof structure with building interior access (e.g. vent or window).
- 10 feet (3 m) from any forced air inlet to the building. Any fresh or make-up air inlet such as a dryer or furnace area is considered to be a forced air inlet.

SECTION IV: INSTALLATION (cont.)

VENT & COMBUSTION AIR INTAKE (cont.)

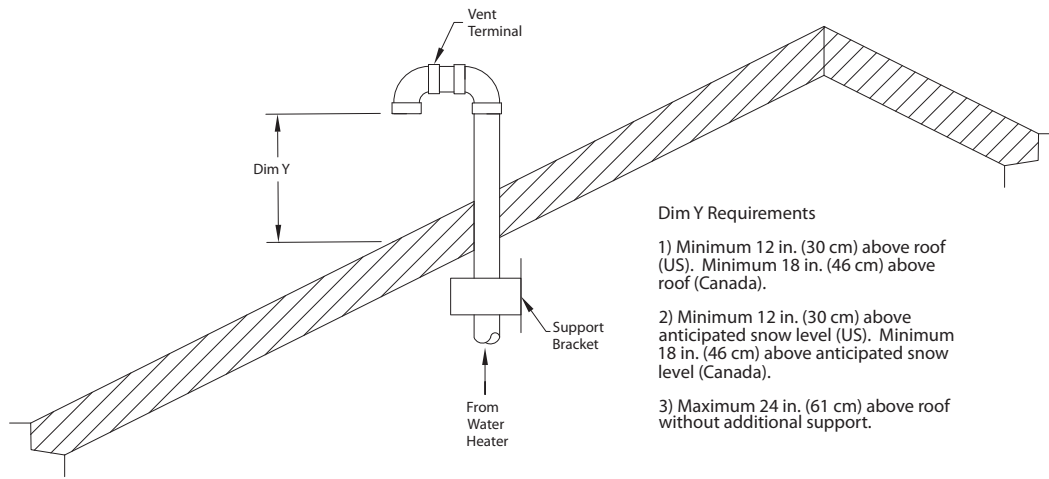


Figure 12: Vertical Venting, 1-pipe termination

Install piping through the roof as shown in Figure 12. Adequate length of pipe must protrude beyond the exterior of the roof (see dimension Y). Directions for cementing joints (such as the terminal fittings to the straight pipe) can be found on page 24. Two 90° elbows are recommended for the exhaust termination to reduce the risk of rain, snow, or foreign objects entering the system. Install a screen inside the air intake termination fitting as well. Complete the installation of the remainder of the vent system and attach to the water heater. Piping must be sufficiently supported. At minimum, it is recommended that a support is placed along the vent piping every 4 feet. For vertical venting, the condensate drain kit must be installed to the exhaust adapter.

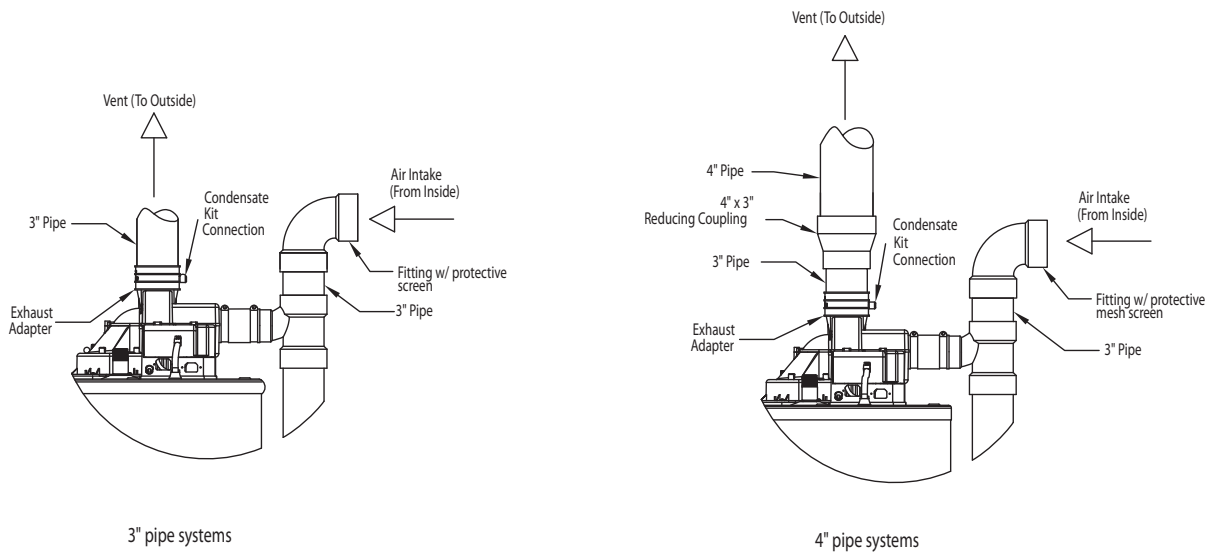


Figure 13: Vertical Power Vent Connections to Water Heater

SECTION IV: INSTALLATION (cont.)

VENT & COMBUSTION AIR INTAKE (cont.)

Vertical Venting, Direct Vent Concentric termination

This water heater may be vented vertically (through a roof) with a concentric vent termination kit. One hole through the roof is required for the concentric vent. Both combustion air intake and vent pipes must be attached to the concentric vent termination.

All clearances must comply with local codes or the latest edition of NFPA 54/ANSI Z223.1 or CSA B149. As a basic guide, the following minimum clearances shall be used (see Figure 14 for additional information):

- Minimum 12 inches (30 cm) above roof.
- Minimum 12 inches (30 cm) above anticipated snow level.
- Maximum 24 inches (61 cm) above roof level without additional support for vent.
- 4 feet (1.2 m) from any gable, dormer or other roof structure with building interior access (e.g. vent or window).
- 10 feet (3 m) from any forced air inlet to the building. Any fresh or make-up air inlet such as a dryer or furnace area is considered to be a forced air inlet.

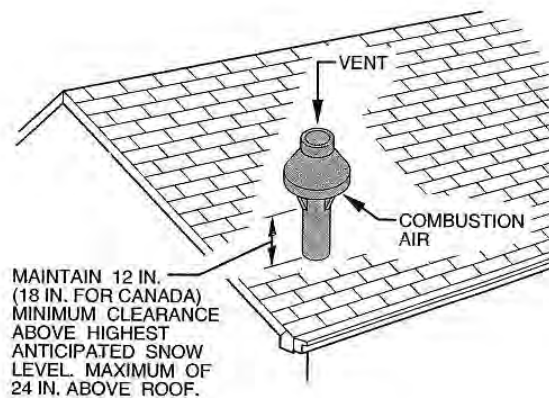
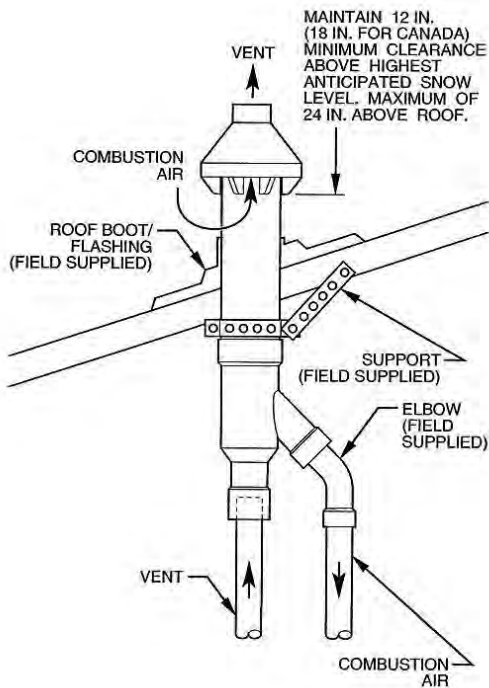


Figure 14: Concentric Vent Roof Clearances

Cut a 5 in. diameter hole through the roof. Make sure the wye concentric fitting is cemented to the large diameter pipe and that the rain cap is cemented to the small diameter pipe. Install the wye concentric fitting and large pipe assembly through the 5 in. diameter hole in the roof and field supplied roof boot/flashing. See Figure 15 for installation details.

SECTION IV: INSTALLATION (cont.)

VENT & COMBUSTION AIR INTAKE (cont.)



Note: Do not allow insulation or other materials to accumulate inside pipe assembly when installing through the roof.

Install the rain cap and small pipe assembly into the wye concentric fitting and large pipe assembly. Ensure small diameter pipe is bottomed and cemented in wye concentric fitting. Complete indoor piping runs and connect piping to the water heater. See Figure 11, 3" pipe systems, for connection details. Piping must be sufficiently supported. At minimum, it is recommended that a support is placed along the vent or air intake piping every 4 feet. For additional information, see installation instructions supplied with concentric vent kit. For vertical venting, the condensate drain kit must be installed to the exhaust adapter.

Figure 15: Concentric Vent Roof Installation

Assembling Vent and Air Intake Joints

⚠ WARNING

Cements and primers are highly flammable. Assemble joints in an adequately ventilated area away from heat sources or open flames. Do not smoke. Read cautions and warnings on material containers.

⚠ CAUTION

DO NOT use cement that is lumpy or thick. DO NOT thin cement.

Connections (i.e. joints) between plastic pipe and fittings must be properly sealed. This requires that an appropriate primer (cleaner) and cement (solvent) are used for the type of material (PVC, CPVC, ABS) that is used in the venting system. For PVC use ASTM D2564 grade cement, for CPVC use ASTM F493 grade cement, and for ABS use ASTM D2235 grade cement. The following steps should be taken when connecting plastic pipe and fittings:

- Cut pipe square with hand saw and remove burrs from inside and outside edges.
- Clean fitting socket and pipe joint area of all dirt, grease, or moisture.
- Check dry fit. Pipe should easily go 1/3 of the way into the fitting socket.
- Liberally apply primer to inside of fitting socket and pipe joint area.

SECTION IV: INSTALLATION (cont.)

VENT & COMBUSTION AIR INTAKE (cont.)

- Over the wet primer, apply a medium coat of cement to the fitting socket and pipe joint area.
- Insert pipe into fitting with a slight twisting motion. Ensure that the pipe is bottomed into the fitting.
- Hold pipe and fitting for 30 seconds to prevent push off.
- Wipe off excess cement. Cure time may be up to 2 hours for Ø3" pipe at 60°F. Longer cure time is required for larger diameter pipe and/or lower temperatures.

Note: The vent and combustion air intake pipe/fittings must overlap a minimum of 1/2 inch (1.3 cm) at each joint. DO NOT drill or punch holes in the plastic pipe or fittings.

Condensate Drain Kit

When downward sloping of the vent system is not possible or a vertical vent arrangement is used, the condensate drain kit must be installed. Follow these steps to properly install the kit:

- Turn off all electrical power to the water heater.
- Remove the yellow cap from the exhaust adapter.
- Insert one end of the 3/8" OD plastic tube into the fitting on the exhaust adapter. There should be a tight fit between the tube and the fitting. If the connection is not tight, apply adhesive aluminum tape around the connection to secure.
- Form a trap by looping a portion of the plastic tube into approximately a 6" diameter circle. With respect to the water heater, form the loop such that it can be mounted on the upper 1/3 of the heater.
- Use the supplied loop clamps and screws to secure the tubing to the side of the water heater and hold the loop trap in place.
- The condensate drain tube must terminate over a proper floor drain or collection bucket. If necessary, add additional tubing to reach a floor drain.
- Prime the loop trap with water prior to resuming operation of the water heater. Disconnect the end of the tube that was connected to the exhaust adapter. With the free end above the loop trap, pour water into the tube until the loop is filled halfway.
- Reconnect the free end to the exhaust adapter fitting and turn on electrical power to the water heater.

DANGER

Failure to prime the condensate drain loop with water will result in combustion gas (which may contain carbon monoxide) entering the room. To avoid the risk of asphyxiation from carbon monoxide, never operate the water heater unless the condensate drain loop is sealed with water.

An example of this installation is shown in Figure 17.

SECTION IV: INSTALLATION (cont.)

WATER CONNECTIONS

CAUTION

This water heater incorporates fittings that contain a nonmetallic lining. DO NOT apply heat to these fittings when making sweat connections to the heater. Sweat tubing to an adapter before securing adapter to any fittings on water heaters.

ALL PIPING SHOULD CONFORM TO LOCAL CODES AND ORDINANCES. It is highly recommended that unions and shut-off valves are installed at the potable water connections to allow for isolation and/or movement during service. All piping should be adequately insulated with an approved material to minimize heat loss.

POTABLE WATER CONNECTIONS

THE WATER HEATER MUST BE FILLED WITH WATER BEFORE LIGHTING THE BURNER.

- 1) Close the main water supply valve before continuing with the installation. After the main water supply is shut-off, relieve the water line pressure by opening a faucet. Once the pressure has been relieved, close the faucet. The “Cold” and “Hot” potable water connections are labeled on the water heater. Install a union and shut-off valve at both potable water connections. All piping should be 3/4" diameter new copper or larger. A tempering valve or anti-scald valve should be installed at the potable water outlet and used according to the manufacturer’s specifications to prevent scalding.
- 2) If a backflow preventer, check valve, or pressure regulating valve is required in the cold water supply, a properly sized expansion tank must be installed to control thermal expansion. Do not operate the water heater in a closed system without installing a thermal expansion tank. Follow the expansion tank manufacturer’s recommendations when selecting a tank for your system.
- 3) Following installation of the water lines, open the main water supply valve and fill the water heater. Open several hot water faucets to relieve air from the system. After water is flowing through the faucets and the system is void of air, close the faucets and check for water leaks in the system.

Note: Do not try to heat hard water as this will drastically reduce heater life. Install a water softener or other scale reducing water treatment system if the water heater is being installed in a hard water area (water hardness higher than seven grains).

SECTION IV: INSTALLATION (cont.)

GAS CONNECTIONS

⚠ CAUTION

Do not use this water heater with any gas other than the type listed on the rating label. Check the rating label on the front of the water heater and make sure the gas to be used matches the gas stated on the rating label. Consult your local gas company or Bock Water Heaters with any questions.

A manual valve, union, and a sediment trap shall be provided in front of the gas valve. All gas piping must conform to local codes and/or the National Fuel Gas Code ANSI 223.1/NFPA 54 or CSA B149.1.

Note: When sizing the gas piping to the heater, make sure that the pressure at the valve is sufficient when all other appliances are operating. Undersized gas piping will reduce water heater performance and life as well as result in nuisance lockouts. Also verify that the gas service and meter are sized properly for the load.

Gas piping should be carried oversize, i.e.: $\frac{3}{4}$ inch or 1 inch or larger for $\frac{1}{2}$ inch valve to within 2 feet of the valve itself. This sustains pressure at the valve during start-up to prevent flashbacks caused by momentary pressure loss. For natural gas, 5" W.C. pressure must be maintained upstream of the gas valve during operation. For LP gas, a minimum of 11" W.C. must be maintained upstream of the gas valve. A $\frac{1}{8}$ inch NPT pipe connection should be installed upstream of the manual shut-off valve to check incoming gas pressure.

During pressure testing of the gas supply piping, close the manual gas shut-off valve to the water heater. Test pressure shall not exceed $\frac{1}{2}$ PSIG (14" W.C). The gas valve is only rated for $\frac{1}{2}$ PSIG. To test at pressure greater than $\frac{1}{2}$ PSIG, close the manual shut-off valve and disconnect the gas operating valve.

Turn on gas and inspect piping for leaks by "painting" each joint with a soapy water solution and check for bubbles. Make sure that excess solution does not enter the control's plastic housing and all wiring remains dry.

⚠ WARNING

DO NOT use an open flame to check for leaks. Serious injury or death could result from fire or explosion.

The pipe thread compound that is used on gas piping must be of the type resistant to propane gas. Do not use teflon tape on gas piping.

The recommended gas piping to the water heater control is shown in Figure 16. Figure 17 gives an overview of all field piping connections.

SECTION IV: INSTALLATION (cont.)

GAS CONNECTIONS (cont.)

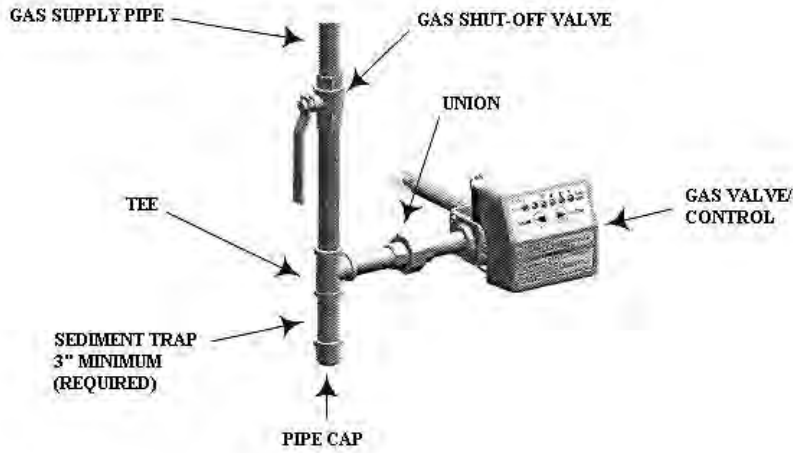


Figure 16: Gas Piping to Valve/Control

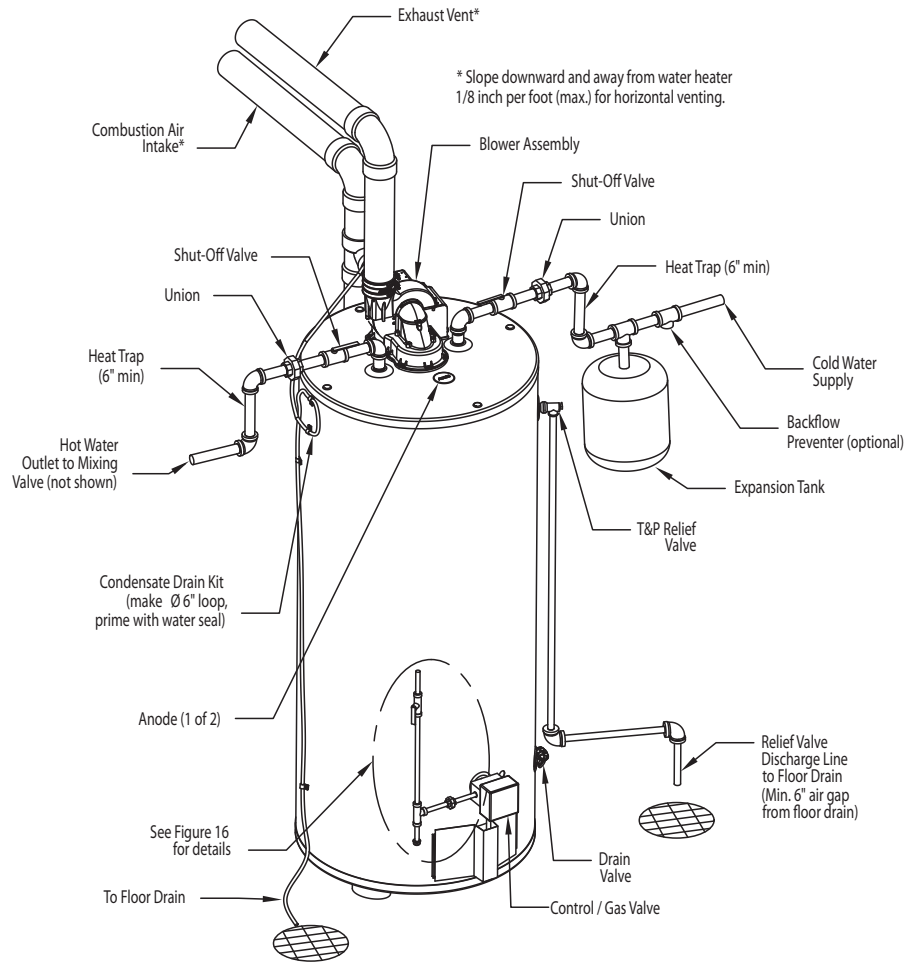


Figure 17: Recommended Water, Gas, Vent Connections

SECTION IV: INSTALLATION (cont.)

WIRING

All electrical wiring and connections must be in accordance with local codes. In the absence of local codes, wiring must conform to the National Electric Code ANSI/NFPA No. 70 or the Canadian Electrical Code C22.1. This water heater must be electrically grounded. Electrical power should be supplied through a fused disconnect switch located near the water heater. Where local codes permit, use the supplied power cord for field connection. A grounding receptacle is required. If local codes do not permit the used of the supplied cord, remove the power cord from the blower assembly and replace with suitable power supply (120V, 60 Hz) wiring and connections. The water heater draws less than 5 amps (maximum). Check for proper polarity at the main power connection prior to operating the water heater.

⚠ CAUTION

Turn off or disconnect the electrical power supply to the water heater before servicing. Label all wires prior to disconnection when servicing controls. Wiring errors can cause improper and dangerous operation. Verify proper operation after servicing.

A component and schematic wiring diagram is shown in Figure 18.

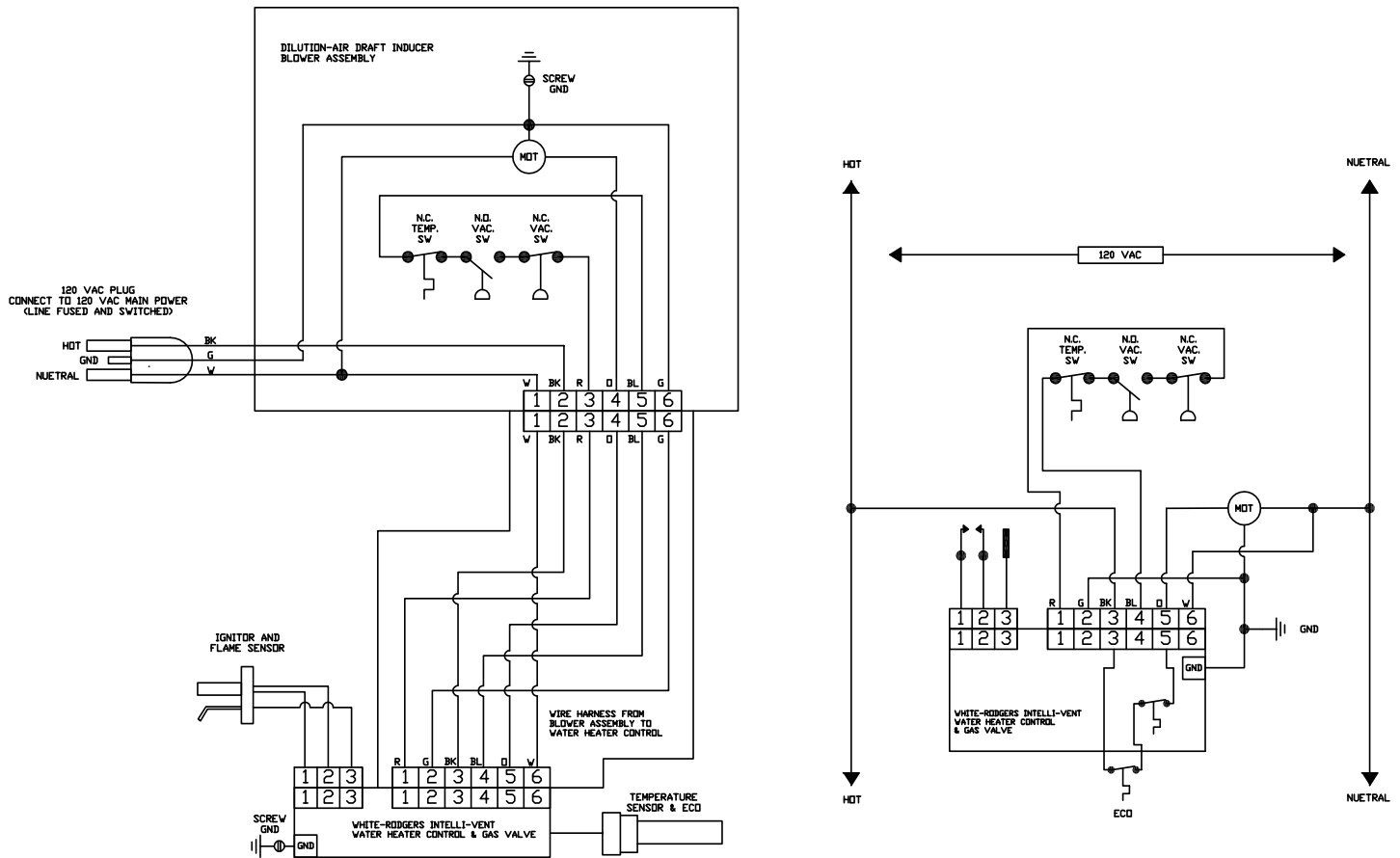


Figure 18: Component and Schematic Wiring Diagrams

SECTION V: OPERATION

FOR YOUR SAFETY READ BEFORE LIGHTING

WARNING: If you do not follow these instructions exactly, a fire or explosion may result causing property damage, personal injury or loss of life.

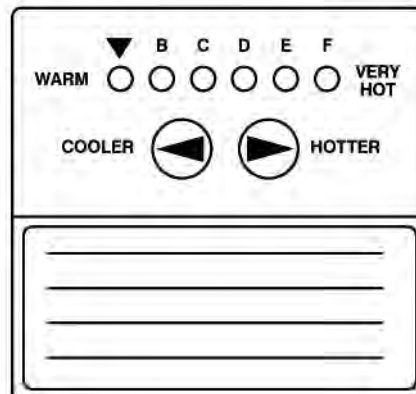
- A. This appliance does not have a pilot. It is equipped with an ignition device which automatically lights the burner. Do not try to light the burner by hand.
- B. **BEFORE OPERATING** smell all around the appliance area for gas. Be sure to smell next to the floor because some gas is heavier than air and will settle on the floor.
- WHAT TO DO IF YOU SMELL GAS
- Do not try to light any appliance.
 - Do not touch any electric switch; do not use any phone in your building.
 - Immediately call your gas supplier from a neighbor's phone. Follow the gas supplier's instructions.
- C. If you cannot reach your gas supplier, call the fire department.
- C. Use only your hand to push in or turn the gas control buttons. Never use tools. If the control buttons will not push in or turn by hand, don't try to repair them, call a qualified service technician. Force or attempted repair may result in a fire or explosion.
- D. Do not use this appliance if any part has been under water. Immediately call a qualified installer or service agency to replace a flooded water heater. Do not attempt to repair the unit! It must be replaced!

OPERATING INSTRUCTIONS

1. STOP! Read the safety information above on this label.
2. Turn on all electrical power to the appliance.
3. Set the thermostat to the lowest setting by pressing the COOLER (◀) and HOTTER (▶) buttons at the same time and holding them for one second. Then, press the COOLER (◀) button until only the WARM (or ▼) indicator light is lit.
4. Turn off all electrical power to the appliance.
5. This appliance is equipped with a device which automatically lights the burner. **DO NOT TRY TO LIGHT THE BURNER BY HAND.**
6. Wait five (5) minutes to clear out any gas. If you smell gas STOP! Follow "B" in the safety information above on this label. If you don't smell gas, go to the next step.
7. Turn on all electrical power to the appliance.
8. Set the thermostat to the desired temperature setting by pressing the COOLER (◀) and HOTTER (▶) buttons at the same time and holding them for one second. Then, press the HOTTER (▶) button until the desired temperature display setting is lit.

The recommended temperature setting is WARM (indicated by ▼ on the thermostat). The WARM setting is approximately 120°F. **CAUTION: Hotter water increases the risk of scald injury.**

9. If the appliance will not operate, follow the instructions "TO TURN OFF GAS TO APPLIANCE" and call your service technician or gas supplier.



TO TURN OFF GAS TO APPLIANCE

1. Set the thermostat to the lowest setting by first pressing the COOLER (◀) and HOTTER (▶) buttons at the same time and holding them for one second. Then, press the COOLER (◀) button until only the WARM indicator light is lit.
2. Turn off all electrical power to the appliance.

23085

Figure 19: Instructions To Put The Water Heater In Operation

SECTION V: OPERATION (cont.)

SEQUENCE OF OPERATION

Figure 20 gives a step-by-step description of the sequence of operations for this water heater. See Troubleshooting section of this manual for solutions to error codes.

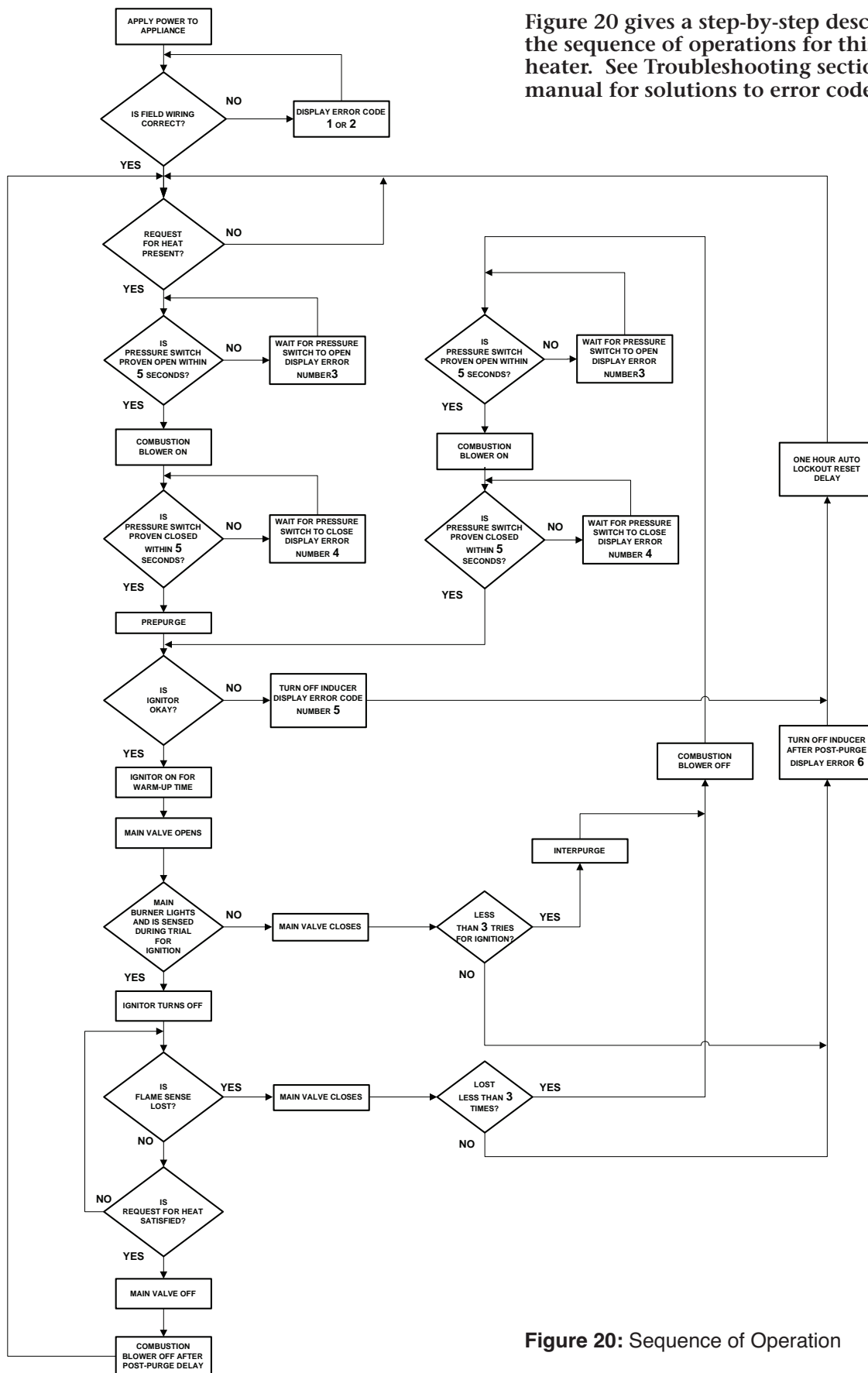


Figure 20: Sequence of Operation

SECTION V: OPERATION (cont.)

INSPECT THE INSTALLATION AND ADJUST THE CONTROLS

For natural gas, the manifold pressure is preset at 4.0" w.c. and the acceptable inlet pressure is in the range of 5-14" w.c. For propane gas, the manifold pressure is preset at 10.0" w.c. and the acceptable inlet pressure is in the range of 11-14" w.c. See the "Pre-Installation" section of this manual for information on clearances, air supply, and venting.

The thermostat has been adjusted to 120°F at the factory. Wait until thermostat has shut off gas to the main burner. Wait 30 seconds following shut-off of gas, then set thermostat to the highest temperature. The main burner should relight. Set thermostat to the lowest temperature; the main burner should go out. The thermostat should be adjusted to the minimum setting that will meet the hot water needs of the homeowner or commercial application.

⚠ CAUTION

There is a scald potential if the thermostat is set too high. The recommended temperature setting for normal residential use is 120°F. If higher temperature settings are needed for combined appliance applications or commercial use, an automatic tempering valve must be installed on all domestic hot water lines.

MEASURING THE OUTCOMING WATER TEMPERATURE

The thermostat is factory set at 120°F for domestic use. It is the responsibility of the building owner to verify that the installer follows the recommended quantitative testing for measuring the outlet water temperature. To make sure that the system works properly after installation and in the future, it is recommended that the heater's performance be measured and monitored. Run water out of the tap nearest the heater until it comes out warm. Using a calibrated thermometer, take a measurement. If the water is not at a suitable temperature for the installation, adjust the setting on the control. Press the COOLER and HOTTER buttons at the same time and hold them for one second. Then, press either the COOLER or HOTTER buttons until the desired temperature display setting is lit.

This log (or a similar one) should be filled out as follows:

▼	DISPLAY					APPROXIMATE TEMPERATURE °F (°C)
	B	C	D	E	F	
●	○	○	○	○	○	120 (49)
●	●	○	○	○	○	130 (54)
○	●	○	○	○	○	140 (60)
○	●	●	○	○	○	145 (63)
○	○	●	○	○	○	150 (66)
○	○	●	●	○	○	155 (68)
○	○	○	●	○	○	160 (71)
○	○	○	●	●	○	165 (74)
○	○	○	○	●	○	170 (77)
○	○	○	○	●	●	175 (79)
○	○	○	○	○	●	180 (82)

Figure 21: Temperature and Display Settings

Date	Time	Person running test	Set temp °F	Outlet temp °F

SECTION VI: MAINTENANCE

NOTICE TO THE OWNER: If you are having a mechanical problem with your water heater, contact your service company or installer.

WATER PIPING

On an annual basis, all piping should be checked for leakage at joints, shut-off valves, and unions.

T&P RELIEF VALVE

On an annual basis, the temperature and pressure relief valve should be checked for proper operation. First, attach a drain line to the valve to direct the water discharge to an open drain. This is very important because the temperature of the discharge could be very hot. Second, lift the lever at the end of the valve several times. The valve should operate freely and return to its original position properly. If water does not flow out of the valve, remove and inspect for corrosion or obstructions. Replace with a new valve if necessary. Do not repair the faulty valve as this may cause improper operation.

ANODE RODS

Anode rods should be inspected twice in the first year and at least yearly once a time interval for inspection has been developed. It is recommended to check the rod(s) six months after the heater is installed. If the anode rod had reduced in size by two-thirds of its original diameter of 3/4" or shows signs of pitting, it is time for replacement. Take the following steps when changing the anode rod(s):

1. Shut off water supply.
2. Open any faucet to relieve tank pressure.
3. Remove caps on water heater top; push insulation aside.
4. Use a 1 1/16" six-sided socket wrench and a breaker bar. Snap hard to break the anode rod seal.
5. Remove rod(s) and replace with new rod(s).
6. Turn water supply back on and leave faucet open until air is out of line.
7. Turn faucet off and check that new rod(s) doesn't leak.
8. Snap caps back into place.

FLUSH THE TANK

Elements in the water such as lime and iron may accumulate in the heater. Accumulation of these elements can keep your water heater from operating at peak efficiency and may lead to premature tank failure. It is recommended that the tank is drained and flushed thoroughly once a year to prevent buildup.

SECTION VI: MAINTENANCE (cont.)

INSPECT THE VENTING SYSTEM, FLUE, AND BURNER

The vent and combustion air intake system should be checked at least once a year for damage and blockage. Make sure all joints are secure and that the system is properly supported. Inspect the outdoor terminals to make sure they are free of obstructions.

⚠ CAUTION

For your safety, removal of the blower assembly, cleaning of the flue, and removal of the burner must be performed by a qualified service technician. If the burner is removed it must be leak tested following reinstallation before normal water heater operation is resumed. All parts must be replaced to their original position prior to operating the water heater.

The water heater flue should be inspected periodically to be sure it is clean. In order to inspect the flue, the blower assembly and flue baffle must be removed. **Before removing the blower assembly make sure the water heater is disconnected from the main power supply and the gas supply to the water heater is shut off.** Wait at least 5 minutes to allow the flue to cool. Remove the flue baffle and clean the flue with a flexible wire brush. Slide the brush down the flue at the free end of each row of fins. This should knock any rust flakes into the combustion chamber for removal.

⚠ WARNING

If the flue is blocked with soot this indicates serious combustion problems related to the building and/or installation. These must be addressed before placing the water heater back in operation.

Vacuum any rust flakes or sediment collected in the combustion chamber before restarting the heater. Remove the outer and inner access doors. The inner access door is mounted to the tank skirt with screws. Disconnect the burner tube and wire harness from the gas valve and remove the burner with the inner access door attached. Remove all debris from the combustion chamber. Inspect the ignitor and flame sensor. Carefully reinstall the burner. The end of the burner tube should be positioned under the burner bracket on the inner shield. Tighten the burner tube into the gas valve and reconnect the wire harness. Remount the inner door to the tank skirt, using every screw that was originally removed. The inner door must be securely mounted. Place the flue baffle back into the flue and screw the blower assembly back into place on the top pan (use every screw!).

Leak test the burner connection to the gas valve prior to resuming operation.

SECTION VII: TROUBLESHOOTING

⚠ CAUTION

For your safety, the repair and servicing of this equipment shall only be performed by a qualified agency.

Table 10: Troubleshooting

Problem	Possible causes	Recommended Action
Unable to light the main burner	1) Air in the gas line.	1) Contact qualified agency to purge the air from the gas line.
	2) Vent or air intake system is blocked.	2) Contact qualified agency to inspect the system for blockage.
	3) Pressure switch stuck in open or closed position.	3) Make sure pressure switch hoses are not kinked. Contact qualified service agency for replacement.
	4) Loose wire connection.	4) Contact qualified agency to inspect wiring.
	5) Energy Cut-Off (ECO) or Temperature Switch in blower assembly tripped.	5) Contact qualified agency to inspect safety devices.
	6) Hot surface ignitor is bad.	6) Contact qualified agency to inspect and/or replace ignitor.
	7) Check control error codes.	7) See Table 10.
Main burner does not stay lit	1) Energy Cut-Off (ECO) or Temperature Switch in blower assembly tripped.	1) Contact qualified agency to inspect safety devices.
	2) Flame sensor is bad.	2) Contact qualified agency to inspect and/or replace sensor.
Condensation in heat exchanger	1) Heating water for the first time (i.e. following installation).	1) This is normal and will stop after water temperature reaches setpoint.
	2) Horizontal venting not sloped downward and away from water heater.	2) Contact qualified agency to inspect vent system.
	3) Condensate kit not installed (vertical or horizontal vent systems).	3) Contact qualified agency to install condensate kit. Refer to this manual.
	4) Vent & air intake system exceeds maximum equivalent length.	4) Contact qualified agency to inspect vent & air intake system.
Poor combustion (sooting, yellow flame)	1) Accumulation of scale on burner.	1) Contact qualified agency to clean burner.
	2) Vent or air intake system is blocked.	2) Contact qualified agency to inspect the system for blockage.
Rumbling noise during burner operation	1) Scale or sediment build-up in tank.	1) Drain the water heater to remove scale and sediment.
Insufficient hot water	1) Heater undersized for load	1) Reduce hot water usage rate.
	2) Low gas pressure	2) Check gas supply and manifold pressure
	3) Check control error codes.	3) See Table 10.
	4) Temperature setting of control is too low.	4) See Figure 21 for settings.
Water too hot or not hot enough	1) Control temperature setting is too high or low.	1) Adjust setting as required, see Figure 21.
	2) Control is defective.	2) Contact qualified agency to replace the control.
T&P relief valve is dripping water.	1) Excessive pressure condition in tank (greater than 150 psi).	1) Contact qualified agency to inspect water piping system. Expansion tanks are required in closed systems.
T&P relief valve is gushing hot water.	1) Excessive temperature condition in tank (greater than 210°F).	1) Lower the temperature setting on the control. See "Section V: Operation" for instructions to adjust the temperature setting.

SECTION VII: TROUBLESHOOTING (cont.)

Table 11: Control LED Codes

LED Error Code	Problem	Solution
<p><i>Error 1</i></p>	Open earth ground circuit to the ignition system.	<ol style="list-style-type: none"> 1) Check that the earth ground conductor is properly connected at the fuse box or breaker panel and the water heater. 2) Check that the grounding conductors on the water heater are properly connected and secure.
<p><i>Error 2</i></p>	The self diagnostic test detected a wiring error or a high resistance to earth ground.	<ol style="list-style-type: none"> 1) Check for proper connection of the line neutral and line hot wires. 2) Check that the water heater is securely connected to earth ground.
<p><i>Error 3</i></p>	The pressure switch remained closed longer than 5 seconds after the call for heat began.	<ol style="list-style-type: none"> 1) The pressure switch wiring is incorrect. 2) The pressure switch is defective and must be replaced.
<p><i>Error 4</i></p>	The pressure switch(es) remained open longer than 5 seconds after the combustion blower was energized.	<ol style="list-style-type: none"> 1) Check wiring to the pressure switch(es). 2) Verify that pressure switch tubing is connected correctly. 3) Check the vent and combustion air intake systems for blockage.
<p><i>Error 5</i></p>	Error in the hot surface ignitor circuit.	<ol style="list-style-type: none"> 1) Check that all wiring is correct and secure. 2) Disconnect the ignitor connector and measure the ignitor resistance with an accurate ohmmeter between pins 1 and 2. Resistance should be between 11.5 and 18.8 ohms. If the reading is incorrect, replace the hot surface ignitor.
<p><i>Error 6</i></p>	The maximum number of ignition retries or recycles has been reached and the system is in lockout.	<ol style="list-style-type: none"> 1) Gas supply is off or inlet gas pressure is too low to operate. Turn on gas supply and/or increase inlet gas pressure within specified range. 2) Hot surface ignitor and flame rod assembly not positioned correctly. 3) Electric polarity to unit is incorrect - test and correct. 4) Low voltage to the water heater. Supply voltage must equal rated voltage. 5) Check the vent and combustion air intake systems for blockage.
<p><i>Error 7</i></p>	Problem with the gas valve driver circuit.	<ol style="list-style-type: none"> 1) Turn off power to the water heater for 10 seconds, then turn power on. 2) Replace the combination control / gas valve.
<p><i>Error 8</i></p>	Problem with the internal microcomputer.	<ol style="list-style-type: none"> 1) Turn off power to the water heater for 10 seconds, then turn power on. 2) Replace the combination control / gas valve.
<p><i>Error 9</i></p>	Problem with the internal circuit.	<ol style="list-style-type: none"> 1) Turn off power to the water heater for 10 seconds, then turn power on. 2) Replace the combination control / gas valve.
<p><i>Error 10</i></p>	Flame signal sensed out of proper sequence.	<ol style="list-style-type: none"> 1) Replace the combination control / gas valve.
<p><i>Error 11</i></p>	The high temperature thermal cutoff (ECO) is open.	<ol style="list-style-type: none"> 1) ECO will automatically reset (or close) when the water temperature drops to 120°F or below. The water heater thermostat will automatically reset following a three minute standby period once the ECO switch closes.
<p><i>Error 12</i></p>	One of the temperature adjust buttons is stuck closed.	<ol style="list-style-type: none"> 1) Make sure that there are no objects leaning against the front of the control. 2) Lightly press and release each of the buttons once. 3) Replace the combination control / gas valve.
<p><i>Error 13</i></p>	Water temperature sensor is either open or short circuited.	<ol style="list-style-type: none"> 1) Check that all wiring is correct and secure. 2) Replace the combination control / gas valve.

SECTION VIII: PARTS LIST

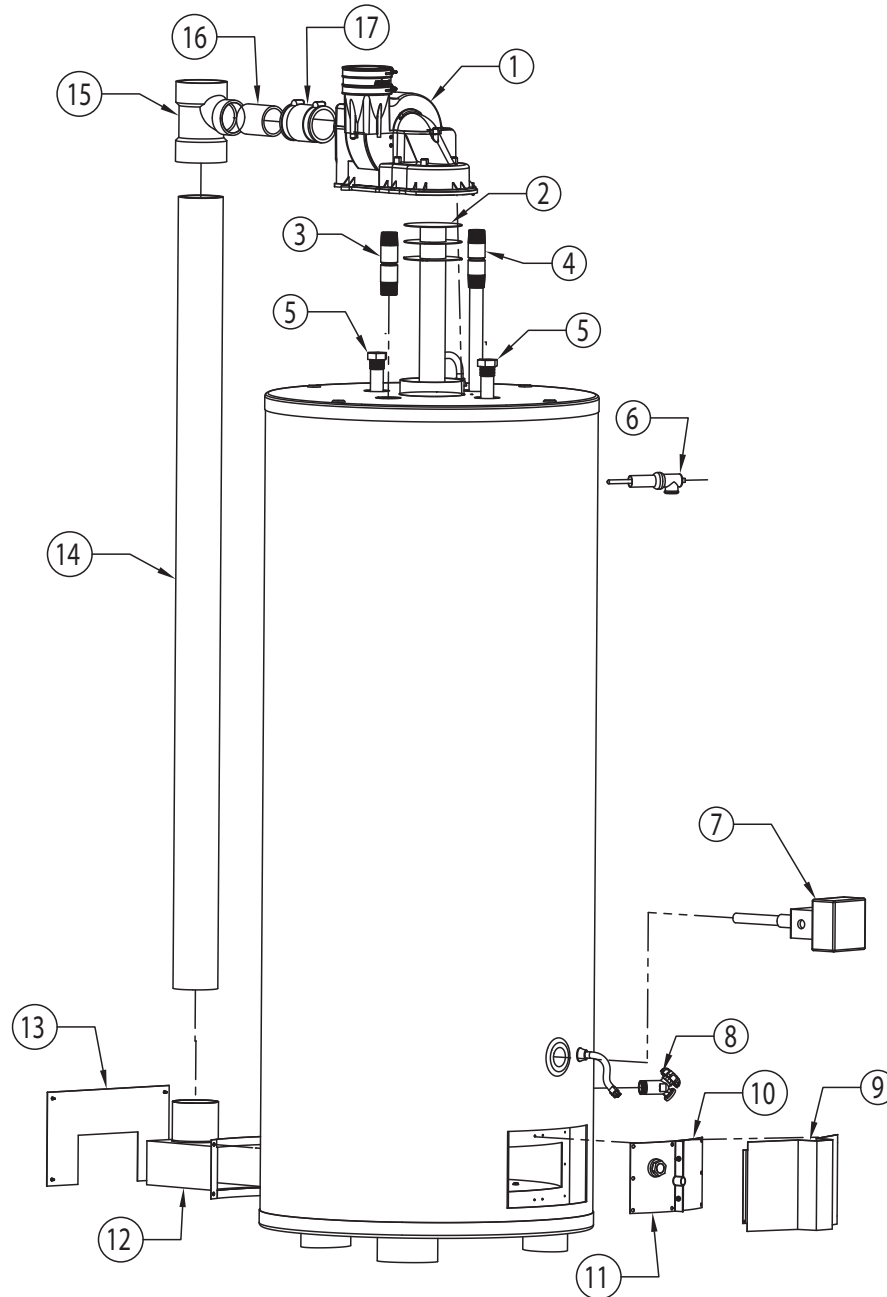


Figure 22: ezFIT Parts

Table 12: ezFIT Parts

Part Description			
1	Blower Assembly	10	Inner Door, Right Side
2	Flue Baffle	11	Inner Door, Left Side (w/sight port)
3	Hot Outlet Nipple	12	Air Intake Boot
4	Dip Tube	13	Trim Plate
5	Anode Rods	14	PVC Pipe, Ø3" x 62.5"
6	T&P Relief Valve	15	PVC Tee, 3" x 3" x 2"
7	Control / Gas Valve	16	PVC Pipe, Ø2" x 3"
8	Drain Valve	17	Flex Coupling, Ø2" x 3.5"
9	Outer Door		

SECTION VIII: PARTS LIST (cont.)

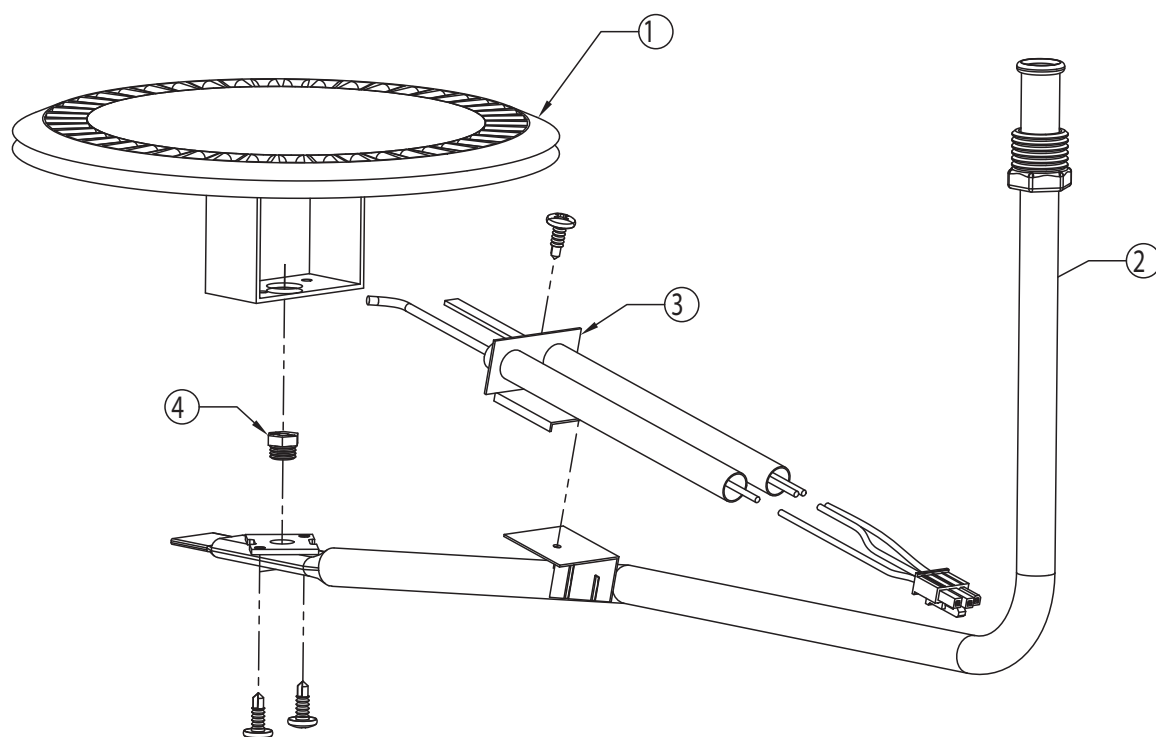


Figure 23: ezFIT Burner Parts

Table 13: ezFIT Burner Parts

Part Description	
1	Burner
2	Main Burner Tube (NAT or LP)
3	Ignitor and Flame Sensor Assembly
4	Orifice (NAT or LP)

SECTION IX: WARRANTY

LIMITED WARRANTY FOR GAS-FIRED WATER HEATER

Bock Water Heaters, Inc.

110 S. Dickinson Street

Madison, WI 53703

Phone: 608-257-2225

WHAT DOES THIS LIMITED WARRANTY COVER?

This limited warranty applies only to the original consumer purchaser.

General Defects and Malfunctions: This warranty covers defections and malfunctions in your new water heater for a period of one year from the original installation date. We will repair or replace, at our option, any defective or malfunctioning component of the water heater. This limited warranty will terminate if you sell or otherwise transfer the water heater, or the water heater is installed at a location different from its original installation location.

Tank and Heat Exchanger: We also warrant that the tank and heat exchanger will not leak due to defective materials or workmanship for five years from the date of original installation or from date of manufacture in the event the Limited Warranty Registration Card was not completed and returned to manufacturer. If the tank and heat exchanger is leaking and we have verified that the leak is due to a defect in materials and workmanship, we will replace the tank with a tank that is the nearest Bock model available at the time of replacement. If a replacement tank is provided, it will remain warranted under this section as if it were the original tank. For example, if we send you a replacement tank under this limited warranty two years after the original installation date, then the replacement tank will remain warranted for the remaining three years after the original installation date.

HOW DO YOU GET SERVICE UNDER THE LIMITED WARRANTY?

In order for the warranty period to begin on the date of installation, you must return the warranty registration card attached below within 30 days of purchasing the water heater. You may also register your water heater online at www.bockwaterheaters.com. You must have a copy of the original sales receipt at the time you request service. Failure to return the warranty registration card and provide a copy of the sales receipt will result in the warranty period beginning from the date of manufacture.

To get service under this limited warranty you should contact either the dealer or installer. If dealer or installer is unknown you can contact us via e-mail at warranty@bockwaterheaters.com or call us Monday through Friday between the hours of 8 o'clock a.m. to 5 o'clock p.m. Central Time at the following number: 1-608-257-2225.

You can also write us at the following address:

Bock Water Heaters, Inc.

Warranty Support Group

110 S. Dickinson Street

Madison, WI 53703

We will respond not later than ten days after we have received your request for service.

SECTION IX: WARRANTY (cont.)

WHAT DOES THIS LIMITED WARRANTY NOT COVER?

This limited warranty does not cover water heaters that are or were:

- Incorrectly installed, especially where the installation violates state or local plumbing, housing or building codes.
- Operated at inappropriate settings, excessive pressures or temperatures.
- Exposed to adverse local conditions and specifically sediment or lime precipitation in the tank or corrosive elements in the atmosphere or unacceptable water quality.
- Installed outside the United States or Canada.
- Accidentally damaged.

Also, we will not cover the following charges, costs and losses:

- Any freight or delivery charges.
- Any removal or installation charges.
- Charges to return the water heater or part to the manufacturer.
- Water damage, loss or damage to property, inconvenience or loss of use.

WHAT WILL VOID THE LIMITED WARRANTY?

If you do any of the following, you will void this limited warranty:

- Fail to return the warranty registration card within 30 days.
- Fail to retain an original copy of your sales receipt.
- Fail to retain the actual rating plate from the water heater.
- Alter or remove the serial number.
- Transfer or sell the water heater.
- Remove the water heater from its original location and install it somewhere else.
- Fail to follow the care and maintenance instructions provided with the water heater.
- Remove the anode rods.
- Fail to inspect and replace the anode rods (you must retain and present your paid receipts as proof of anode rod replacement).

HOW DOES STATE LAW RELATE TO THIS LIMITED WARRANTY?

This is a limited warranty. WE MAKE NO OTHER EXPRESS WARRANTIES WITH RESPECT TO THIS WATER HEATER. We will not assume, nor authorize any person to assume for us any other liability in connection with the sale or operation of this water heater. ANY IMPLIED WARRANTIES, INCLUDING MERCHANTABILITY OR FITNESS FOR A PARTICULAR APPLICATION, IMPOSED ON THIS SALE UNDER THE LAWS OF THE STATE OF SALE ARE LIMITED TO ONE YEAR. This warranty gives you specific legal rights, and you may also have other rights which vary from state to state. Some states do not allow limitations on how long an implied warranty lasts, so the above limitation may not apply to you.

WE WILL NOT BE RESPONSIBLE FOR WATER DAMAGE, LOSS OF USE OF THE UNIT, INCONVENIENCE, LOSS OR DAMAGE TO PERSONAL PROPERTY, WHETHER DIRECT OR INDIRECT, AND WHETHER ARISING IN CONTACT OR TORT. Some states do not allow the exclusion of incidental or consequential damages, so the above exclusion may not apply to you.

Bock Water Heaters, Inc. • 110 South Dickinson Street • Madison, WI 53703
Telephone 608-257-2225 • Fax 608-257-5304
www.bockwaterheaters.com

Bock Water Heaters, Inc. • 110 South Dickinsson Street • Madison, WI 53703
 Téléphone 608-257-2225 • Télécopieur 608-257-5304
 www.bockwaterheaters.com

Les présentes constituent une garantie limitée. NOUS N'ÉMETTONS AUCUNE AUTRE GARANTIE EXPRESSE EN RAPPORT AVEC CE CHAUFFE-EAU. Nous n'assumerons ni n'autoriserons quelle que personne que ce soit à assumer en notre nom quelle qu'autre responsabilité que ce soit en lien avec la vente ou l'utilisation de ce chauffe-eau. TOUTE GARANTIE TACITE, Y COMPRIS DE QUALITÉ MARCHANDE OU D'ADAPTATION À UN USAGE PARTICULIER, IMPOSÉE À CETTE VENTE PAR LES LOIS EN VIGUEUR DANS LA PROVINCE (L'ÉTAT) DE LA VENTE EST LIMITÉE À UN AN. La présente garantie vous confère des droits juridiques particuliers, et vous pourriez aussi avoir d'autres droits qui varient d'un État (d'une province) à l'autre. Certains États (provinces) ne permettent pas l'imposition de limites à la durée d'une garantie tacite; par conséquent, la limite précédente peut ne pas vous concerner. NOUS NE SOMMES PAS RESPONSABLES DES DOMMAGES DUS À L'EAU, DES PERTES D'USAGE DE L'APPAREIL, DES INCONVÉNIENTS, DES PERTES OU DOMMAGES MATÉRIELS, QU'ILS SOIENT DIRECTS OU INDIRECTS, ET QU'ILS SOIENT DUS À UN CONTACT OU UN DÉLIT. Certains États (provinces) ne permettent pas l'exclusion des dommages accessoires ou consécutifs; par conséquent, la limite précédente peut ne pas vous concerner.

GARANTIE LIMITÉE? COMMENT LES LOIS PROVINCIALES SE RATTACHENT-ELLES À LA PRÉSENTE

- L'omission de retourner la fiche d'inscription dans les 30 jours.
- Le fait de ne pas conserver le coupon de caisse original.
- L'omission de conserver la plaque signalétique du chauffe-eau.
- L'altération ou l'effacement du numéro de série.
- Le transfert ou la vente du chauffe-eau.
- Le transfert du chauffe-eau de son emplacement d'origine à un emplacement différent.
- Le fait de ne pas se conformer aux consignes d'entretien et de maintenance fournies avec le chauffe-eau.
- Le retrait des tiges d'anode.
- L'omission d'inspecter et de remplacer les tiges d'anode (vous devez conserver et présenter vos coupons de caisse à titre de preuve du remplacement des tiges d'anode).

L'une ou l'autre des situations suivantes annulera la présente garantie limitée :

QU'EST-CE QUI ANNULERA LA PRÉSENTE GARANTIE?

- Tout frais de fret ou de livraison.
- Tout frais de démontage ou d'installation.
- Les frais de retour du chauffe-eau ou de l'une ou plusieurs de ses pièces au fabricant.
- Les dommages dus à l'eau, les pertes ou les dommages matériels, les incon vénients ou les pertes liées à l'usage de l'appareil.

En outre, nous ne rembourserons pas les frais, coûts et pertes suivants :

- installées incorrectement, particulièrement lors que l'installation entreint les codes locaux de la plomberie, de l'habitation ou du bâtiment;
- utilisé dans des milieux inappropriés, à des pressions ou des températures excessives;
- exposés à des conditions de milieu malsaines, particulièrement à la sédimentation ou à l'entartrage du réservoir, aux éléments corrosifs dans l'atmosphère ou à une eau de qualité inacceptable;
- installées à l'extérieur des États-Unis ou du Canada;
- endommagés par accident.

La présente garantie limitée ne rembourse pas les chauffe-eau qui sont ou ont été :

QU'EST-CE QUI N'EST PAS REMBOURSE SOUS LA PRÉSENTE GARANTIE?

GARANTIE LIMITÉE POUR LES CHAUFFE-EAU AU GAZ

Bock Water Heaters, Inc.

110 S. Dickinson Street

Madison, WI 53703

Téléphone : 608-257-2225

QU'EST-CE QUI EST REMBOURSÉ SOUS LA PRÉSENTE GARANTIE ?

La présente garantie limitée ne s'applique qu'au premier acheteur.

Défauts d'ordre général et défauts : Cette garantie protège votre nouveau chauffe-eau des défauts et des défaillances pour une période d'un an à partir de la date de l'installation initiale. Nous réparerons ou remplacerons, à notre discrétion, tout composant défectueux ou détaillant du chauffe-eau. La présente garantie sera annulée si vous vendez ou transférez de quelque autre façon ce chauffe-eau, ou si le chauffe-eau est installé à un emplacement différent de son emplacement d'installation initial.

Réservoir et échangeur thermique : Nous garantissons le réservoir et l'échangeur thermique contre les fuites dues à des défauts dans les matériaux ou la main-d'œuvre, et ce, pour une période de cinq ans à partir de la date d'installation initiale ou de la date de fabrication dans l'éventualité où la fiche d'enregistrement du produit n'a pas été remplie et ne nous a pas été retournée. Si le réservoir et l'échangeur thermique présentent des fuites et qu'il a été vérifié et convenu que la fuite est due à un défaut dans les matériaux ou la main-d'œuvre, nous remplacerons le réservoir par le modèle réservoir Bock le plus similaire au moment du remplacement. Si un réservoir de remplacement vous est fourni, il restera garanti en vertu des présentes comme s'il s'agissait du réservoir d'origine. Par exemple, si nous vous envoyons un réservoir de remplacement en vertu de la présente garantie limitée deux ans après la date d'installation initiale, le réservoir de remplacement restera protégé par la garantie pour les trois ans restants après la date d'installation initiale.

COMMENT OBTENIR DU SERVICE EN VERTU DE LA GARANTIE LIMITÉE?

Pour que la période de garantie commence à la date d'installation, vous devez nous retourner la fiche d'enregistrement du produit 30 jours ou moins suivant la date d'achat du chauffe-eau. Vous pouvez également enregistrer votre chauffe-eau en ligne, à l'adresse www.bockwaterheaters.com. Vous devez avoir en main une copie du reçu de vente original lorsque vous faites une demande pour un technicien. A défaut de nous retourner la fiche d'enregistrement et de fournir une copie du coupon de caisse, la période de garantie entrera en vigueur à partir de la date de fabrication. Pour obtenir les services d'un technicien en vertu des présentes, vous devriez appeler le détaillant ou l'installateur. Si vous ne savez pas qui est le détaillant ou l'installateur, envoyez-nous un courriel, à l'adresse warranty@bockwaterheaters.com ou téléphonez-nous du lundi au vendredi de 8 h à 17 h (heure normale du Centre) au numéro suivant : 1-608-257-2225.

Vous pouvez aussi nous écrire à l'adresse qui apparaît ci-dessous :

Bock Water Heaters, Inc.
Warranty Support Group
110 S. Dickinson Street
Madison, WI 53703

Nous vous répondrons au plus tard dix jours après réception de votre demande de service.

PARTIE VIII : LISTE DES PIÈCES (suite)

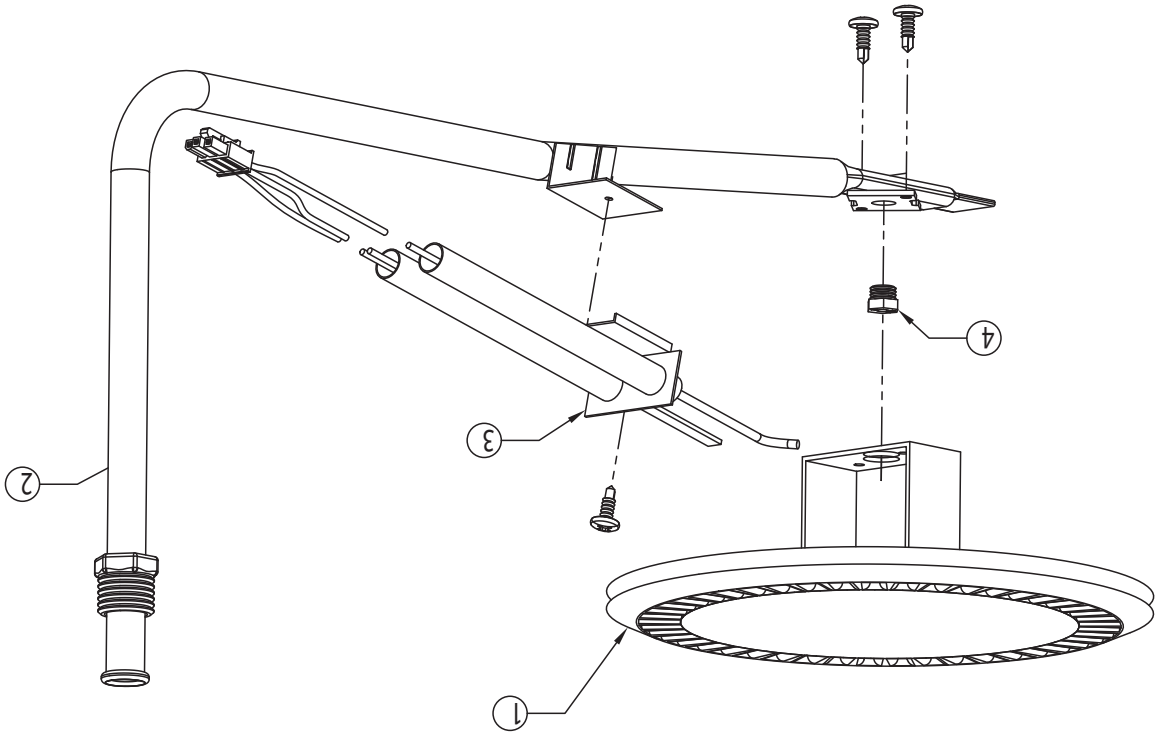


Figure 23 : Pièces du brûleur du ezFT

Description de la pièce	
1	Brûleur
2	Tuyau principal du brûleur (NAT ou LP)
3	Groupe allumeur/capteur de flamme
4	Orifice (NAT ou LP)

Tableau 13 : Pièces du brûleur du ezFT

Description de la pièce	
1	Groupe ventilation
2	Déflecteur de la cheminée
3	Manchon de sortie chaude
4	Tube d'arrivée profond
5	Tiges d'anode
6	Soupape de décharge et de sécurité thermique
7	Contrôleur/robinet de gaz
8	Soupape de vidange
9	Trappe extérieure
10	Trappe intérieure, côté droit
11	Trappe intérieure, côté droit (avec ouverture de visée)
12	Coude à patin d'admission d'air
13	Plaque pour l'ébarbage
14	Tuyau de PVC, Ø 7,5 cm x 158,7 cm (3 po x 62,5 po)
15	Té en PVC, 7,5 x 7,5 x 5 cm (3 x 3 x 2 po)
16	Tuyau de PVC, Ø 5 x 7,5 cm (02 x 3 po)
17	Raccord souple, Ø 5 x 8,89 cm (2 x 3,5 po)

Tableau 12 : Pièces du ezFIT

Figure 22 : Pièces du ezFIT

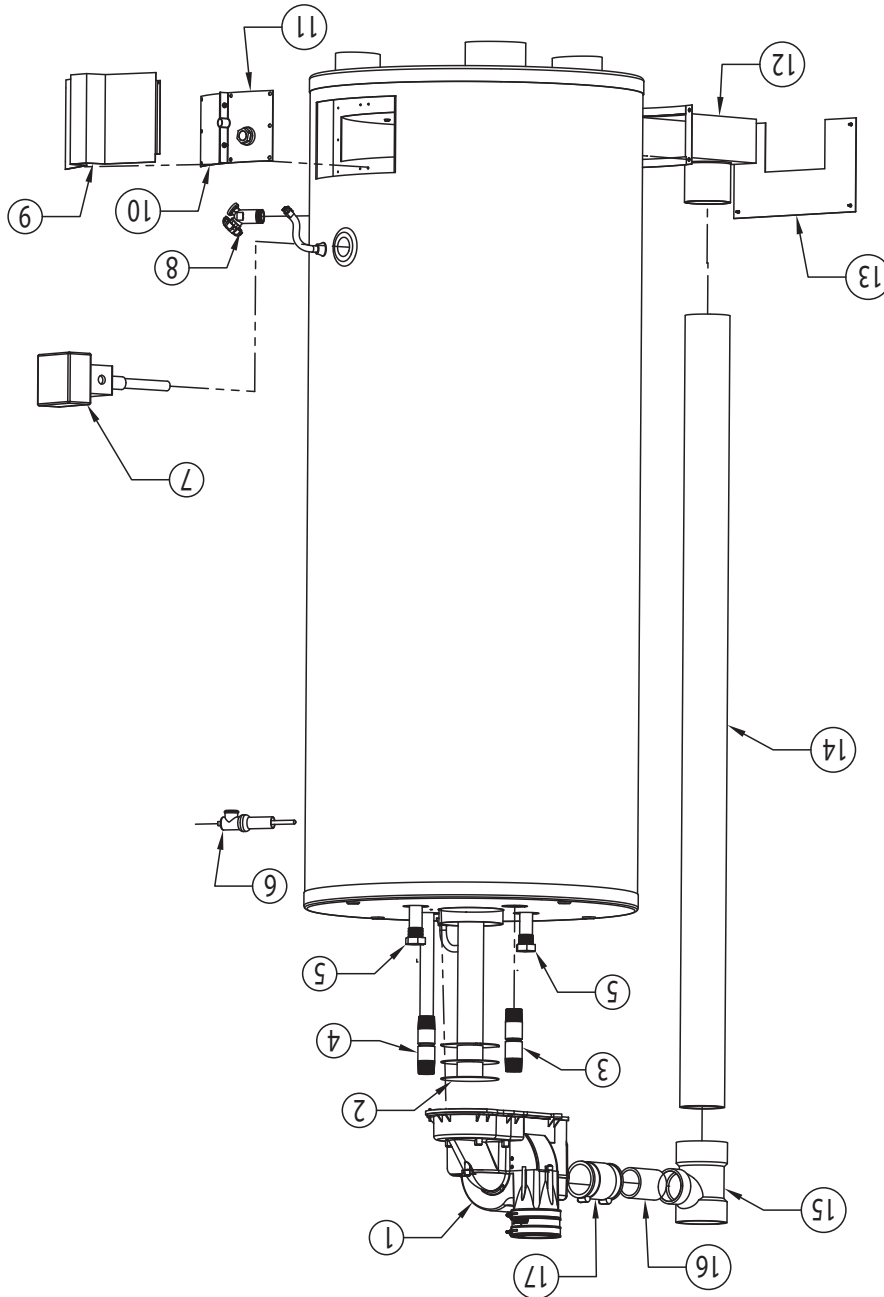


Tableau 11 : Codes des commandes à DEL

Code d'erreur DEL	Problème	Solution
Erreur 1  Le circuit de prise à la terre du système d'allumage est ouvert.	(1) Assurez-vous que le conducteur de prise de terre est correctement branché au coffret de fusibles ou à la boîte des disjoncteurs, et au chauffe-eau. (2) Assurez-vous que les conducteurs de mise à la terre du chauffe-eau sont branchés de façon adéquate et solide.	(1) Vérifiez si le conducteur de terre en parallèle et le fil chargé sont branchés adéquatement. (2) Assurez-vous que le chauffe-eau est solidement relié à la prise à la terre.
Erreur 2  Le test d'autodiagnostic a détecté une erreur de câblage ou une forte résistance à la terre.	(1) Vérifiez le câblage du conducteur de terre en parallèle et le fil chargé sont branchés adéquatement. (2) Assurez-vous que le chauffe-eau est solidement relié à la prise à la terre.	(1) Mauvais câblage du pressostat. (2) Le pressostat est défectueux et doit être remplacé.
Erreur 3  Le pressostat est resté fermé pendant plus de 5 secondes après le début de l'appel de chaleur.	(1) Vérifiez le câblage du (des) pressostat(s). (2) Assurez-vous que la tuyauterie du pressostat est bien configurée. (3) Inspectez les systèmes de ventilation et d'admission d'air de combustion pour voir s'ils sont obstrués.	
Erreur 4  Le (les) pressostat(s) est (sont) resté(s) ouvert(s) pendant plus de 5 secondes après l'activation du ventilateur d'air de combustion.	(1) Assurez-vous que le câblage est approprié et sécuritaire. (2) Débranchez le connecteur de l'allumeur et prenez la résistance de l'allumeur au moyen d'un ohmmètre précis entre les broches 1 et 2. La résistance devrait se situer entre 1,5 et 18 ohms. Si la lecture ne correspond pas à cette plage, remplacez l'allumeur à surface chaude.	
Erreur 5  Erreur dans le circuit du brûleur à surface chaude.	(1) L'admission en gaz ou la pression d'admission du gaz est trop basse pour le fonctionnement. Ouvrez l'alimentation en gaz et (ou) augmentez la pression d'admission dans la plage précisée. (2) L'allumeur à surface chaude et l'électrode de détection de flamme sont mal positionnés. (3) La polarité électrique de l'appareil est incorrecte – testez et corrigez. (4) Faible tension d'alimentation du chauffe-eau. La tension d'alimentation doit être égale à la tension nominale. (5) Inspectez les systèmes de ventilation et d'admission d'air de combustion pour voir s'ils sont obstrués.	
Erreur 6  Le nombre maximal de relances ou de réenclenchements de l'allumage a été atteint et le système est verrouillé.	(1) L'admission en gaz ou la pression d'admission du gaz est trop basse pour le fonctionnement. Ouvrez l'alimentation en gaz et (ou) augmentez la pression d'admission dans la plage précisée. (2) L'allumeur à surface chaude et l'électrode de détection de flamme sont mal positionnés. (3) La polarité électrique de l'appareil est incorrecte – testez et corrigez. (4) Faible tension d'alimentation du chauffe-eau. La tension d'alimentation doit être égale à la tension nominale. (5) Inspectez les systèmes de ventilation et d'admission d'air de combustion pour voir s'ils sont obstrués.	
Erreur 7  Problème du circuit de pilotage du robinet de gaz.	(1) Coupez toute source d'alimentation électrique au chauffe-eau pendant 10 secondes, puis remettez le chauffe-eau en marche. (2) Remplacez le groupe commande/robinet de gaz.	
Erreur 8  Problème du microordinateur interne.	(1) Coupez toute source d'alimentation électrique au chauffe-eau pendant 10 secondes, puis remettez le chauffe-eau en marche. (2) Remplacez le groupe commande/robinet de gaz.	
Erreur 9  Problème du circuit interne.	(1) Coupez toute source d'alimentation électrique au chauffe-eau pendant 10 secondes, puis remettez le chauffe-eau en marche. (2) Remplacez le groupe commande/robinet de gaz.	
Erreur 10  Le signal émis par la flamme est capté dans la mauvaise séquence.	(1) Remplacez le groupe commande/robinet de gaz.	
Erreur 11  Le coupe-circuit thermique (ECO) est déclenché.	(1) L'interrupteur ECO se réenclenche automatiquement (se réferme) lorsque la température de l'eau redescend sous les 49 °C (120 °F). Le thermostat du chauffe-eau se réinitialisera automatiquement au bout d'une période de trois minutes une fois l'interrupteur ECO réenclenché.	
Erreur 12  L'un des boutons de réglage de la température est retenu dans une position enclenchée.	(1) Assurez-vous qu'aucun objet n'est appuyé contre le devant des commandes. (2) Appuyez doucement sur chaque bouton et relâchez-les à une reprise. (3) Remplacez le groupe commande/robinet de gaz.	
Erreur 13  Le capteur de température de l'eau est soit déclenché, soit court-circuité.	(1) Assurez-vous que le câblage est approprié et sécuritaire. (2) Remplacez le groupe commande/robinet de gaz.	

Pour votre sécurité, la réparation et l'entretien de cet équipement ne doivent être entrepris que par une agence qualifiée.



Tableau 10 : Dépannage

Problème	Causes possibles	Solution recommandée
Le brûleur principal ne s'allume pas	1) Il y a de l'air dans la conduite de gaz. 2) Le système de ventilation ou d'admission est obstrué. 3) Le pressostat est bloqué en position ouverte/fermée. 4) Câble mal branché. 5) L'interrupteur de contrôleur de coupure de l'alimentation (ECO) ou de température du groupe ventilation est déclenché. 6) L'allumeur à surface chaude est endommagé. 7) Vérifiez les codes d'erreur du tableau de contrôleur.	1) Communiquez avec un service qualifié pour purger l'air de la conduite de gaz. 2) Communiquez avec un service qualifié pour inspecter le système afin de trouver la source d'obstruction. 3) Assurez-vous que les tuyaux souples du pressostat ne sont pas pliés. Communiquez avec un service de réparation ou d'entretien qualifié pour un tuyau de rechange. 4) Communiquez avec un service qualifié pour inspecter le câblage. 5) Communiquez avec un service qualifié pour inspecter les dispositifs de sûreté. 6) Communiquez avec un service qualifié pour inspecter et (ou) remplacer l'allumeur. 7) Voir le tableau 10.
Le brûleur principal ne reste pas allumé.	1) L'interrupteur de contrôleur de coupure de l'alimentation (ECO) ou de température du groupe ventilation est déclenché. 2) Le capteur de flamme fonctionne mal. 3) Le premier chauffage d'eau (c.-à-d. tout de suite après l'installation). 4) La ventilation horizontale ne présente pas une pente ascendante en sens opposé du chauffe-eau. 5) La trousses d'évacuation des produits de condensation n'est pas installée (systèmes de ventilation verticale ou horizontale) vertical or horizontal vent systems). 6) La longueur du système d'évent ou d'admission excède la longueur équivalente maximale.	1) Communiquez avec un service qualifié pour inspecter le système afin de trouver la source d'obstruction. 2) Le système d'évent ou d'admission est obstrué. 3) Vidangez l'eau du chauffe-eau pour enlever le tartre et les sédiments. 4) Le chauffe-eau est trop petit pour la charge. 1) Réduisez l'utilisation d'eau chaude. 2) Vérifiez l'alimentation en gaz et la pression d'admission. 3) Vérifiez les codes d'erreur du tableau de contrôleur. 4) Voir les réglages au tableau 21.
Mauvaise combustion (sooting, yellow flame)	1) Entartrage du brûleur. 2) Le système d'évent ou d'admission est obstrué.	1) Communiquez avec un service qualifié pour nettoyer le brûleur. 2) Communiquez avec un service qualifié pour inspecter le système afin de trouver la source d'obstruction.
Son de froissement pendant le fonctionnement du brûleur.	1) Formation de tartre ou sédimentation dans le réservoir.	1) Vidangez l'eau du chauffe-eau pour enlever le tartre et les sédiments.
Eau chaude insuffisante	1) Le réglage de température est trop bas. 2) Faible pression du gaz. 3) Vérifiez les codes d'erreur du tableau de contrôleur.	1) Ajustez le réglage suivant les besoins; voir le tableau 21. 4) Voir les réglages au tableau 21.
Leau est trop ou pas suffisamment chaude.	1) Le réglage de température est trop haut ou bas. 2) La contrôleur est défectueuse.	1) Ajustez le réglage suivant les besoins; voir le tableau 21. 2) Communiquez avec un service qualifié pour remplacer la contrôleur.
De l'eau dégoutte de la soupape de surpression et de sécurité thermique.	1) Condition de pression excessive dans le réservoir (supérieure à 150 psi).	1) Communiquez avec un service qualifié pour inspecter le réseau de conduites d'eau. Des réservoirs à dilatation sont requis dans les systèmes fermés.
De l'eau chaude giclé de la soupape de surpression et de sécurité thermique.	1) Condition de température excessive dans le réservoir (supérieure à 98,89 °C, ou 210 °F).	1) Abaissez la commande de réglage de la température. Consultez la partie V : Utilisation, pour des directives d'ajustement de la température.

INSPECTER LE SYSTÈME DE VENTILATION, LA CONDUITE D'AIR ET LE BRÛLEUR

Les systèmes de ventilation et d'admission d'air de combustion devraient être inspectés au moins une fois par année pour voir s'ils sont endommagés ou obstrués. Assurez-vous que tous les joints sont solidement fixés et que le système bien supporté. Inspectez les terminaisons à l'extérieur pour vous assurer qu'elles sont exemptes d'obstructions.

Pour votre sécurité, le retrait du groupe ventilation, le nettoyage de la conduite d'air et le retrait du brûleur doivent être effectués par un technicien en réparation et en entretien qualifié. Si le brûleur est retiré, il doit être testé pour les fuites suite à sa remise en place avant de reprendre l'usage normal du chauffe-eau. Toutes les pièces doivent être replacées à leur position d'origine avant de faire fonctionner le chauffe-eau.

▲ MISE EN GARDE

La cheminée du chauffe-eau doit être inspectée périodiquement pour s'assurer de sa propreté. Afin d'inspecter la cheminée, le groupe ventilation et le déflecteur de la conduite doivent être retirés. **Avant de retirer le groupe ventilation, assurez-vous que le chauffe-eau est débranché de sa source d'alimentation électrique principale et que l'alimentation en gaz au chauffe-eau est coupée.** Laissez la cheminée refroidir pendant au moins 5 minutes. Retirez le déflecteur de la cheminée et nettoyez celle-ci à l'aide d'une brosse métallique souple. Glissez la brosse à l'intérieur de la conduite dans l'extrémité libre de chaque rangée d'ailettes. Cela devrait faire tomber tous les éclats de rouille dans la chambre de combustion afin de les nettoyer.

Une conduite obstruée par la suie dénote de graves problèmes de combustion liés au bâtiment ou à l'installation. Il importe d'y remédier avant de remettre le chauffe-eau en marche.

▲ AVERTISSEMENT

À l'aide d'un aspirateur, ramassez tous les éclats de rouille ou les sédiments de la chambre de combustion avant de remettre le chauffe-eau en marche. Retirez les trappes d'accès intérieure et extérieure. La trappe d'accès intérieure est installée sur la jupe du réservoir au moyen de vis. Débranchez le tube du brûleur et le faisceau de câbles du robinet de gaz, puis retirez le brûleur avec la trappe d'accès intérieure encore fixée. Nettoyez tous les débris de la chambre de combustion. Inspectez l'allumeur et le détecteur de flamme. Réinstallez soigneusement le brûleur. L'extrémité du tube du brûleur doit être positionnée sous le support du brûleur, sur le protecteur intérieur. Serrez le tube du brûleur sur le robinet de gaz et rebranchez le faisceau de fils. Remettez la trappe intérieure en place sur la jupe du réservoir en utilisant toutes les vis ôtées plus tôt. La trappe intérieure doit être solidement fixée. Remettez le déflecteur de la conduite en place et vissez le ventilateur soufflant à sa position d'origine sur le bac supérieur. Testez le raccord brûleur-robinet de gaz pour les fuites avant de reprendre l'utilisation.

AVIS AU PROPRIÉTAIRE En cas de problème mécanique avec votre chauffe-eau, communiquez avec un service de réparation et d'entretien ou un installateur.

CONDUITES D'EAU

Chaque année, toutes les conduites devraient être inspectées pour y déceler toute fuite aux joints, aux soupapes d'arrêt et aux raccords union.

SOUPAPE DE DÉCHARGE ET DE SÉCURITÉ THERMIQUE

Chaque année, la soupape de décharge doit être examinée pour s'assurer de son bon fonctionnement. Tout d'abord, fixez une canalisation de vidange à la soupape pour acheminer l'eau vidangée vers une ouverture de drainage. Ceci est très important, puisque l'eau vidangée peut être très chaude. Ensuite, relevez le levier à l'extrémité de la soupape à plusieurs reprises. La soupape devrait se manier sans contrainte et revenir correctement à sa position initiale. Si l'eau ne s'écoule pas de la soupape, retirez-la et vérifiez si elle présente de la rouille ou des obstructions. Remplacez-la par une nouvelle soupape, au besoin. Ne réparez pas la soupape défectueuse; cela pourrait nuire au fonctionnement.

TIGES D'ANODE

Les tiges d'anode devraient être inspectées deux fois la première année et au moins une fois chaque année une fois l'intervalle d'inspection déterminé. Il est recommandé de vérifier la (les) tige(s) six mois après l'installation du chauffe-eau. Si la taille de la tige d'anode est réduite de plus du deux tiers de son diamètre original de 1,9 cm (3/4 po) ou si elle présente des signes d'usure, il est temps de la remplacer. Suivez les étapes suivantes pour remplacer les tiges d'anode :

1. Coupez l'alimentation en eau.
2. Ouvrez un robinet (n'importe quel) pour décharger la pression du réservoir.
3. Ôtez les capuchons du dessus du chauffe-eau; mettez l'isolant de côté.
4. Utilisez une cle à douille hexagonale de 1 1/16 po et une poignée articulée. Forcez d'un coup sec pour briser le joint d'étanchéité de la tige d'anode.
5. Retirez la (les) tige(s) et remplacez-la (les) par une ou des nouvelles.
6. Rétablissez l'alimentation en eau et laissez un robinet ouvert jusqu'à ce que tout l'air soit évacué de la conduite.
7. Refermez le robinet et assurez-vous que la nouvelle tige ne fuit pas.
8. Remettez les capuchons en place en les encliquetant.

VIDANGE DU RÉSERVOIR

Les éléments en suspension dans l'eau, comme le calcaire et le fer, peuvent s'accumuler dans le chauffe-eau. L'accumulation de tels minéraux peut empêcher votre chauffe-eau de fonctionner à son meilleur et provoquer le bris prématuré du réservoir. Il est recommandé de vidanger le réservoir et de le vider complètement une fois par année pour prévenir toute accumulation.

Date	Heure	Personne qui réalise le test	Temp. réglée en °C	Temp. de sortie en °C

Figure 21 : Réglages de la température et de l'affichage

TEMPÉRATURE APPROXIMATIVE °F (°C)	AFFICHAGE
120 (49)	▲ B C D E F
130 (54)	● ● C D E F
140 (60)	● ● ● D E F
145 (63)	● ● ● ● E F
150 (66)	● ● ● ● ● F
155 (68)	● ● ● ● ● ●
160 (71)	● ● ● ● ● ● ●
165 (74)	● ● ● ● ● ● ● ●
170 (77)	● ● ● ● ● ● ● ● ●
175 (79)	● ● ● ● ● ● ● ● ● ●
180 (82)	● ● ● ● ● ● ● ● ● ● ●

Le thermostat a été réglé en usine à 49 °C (120 °F) pour un usage domestique. Il incombe au propriétaire des lieux de s'assurer que l'installateur se conforme aux tests quantitatifs recommandés de mesure de la température de l'eau fournie. Pour veiller à ce que le système fonctionne correctement après son installation et subseqüemment, il est recommandé de mesurer et de surveiller la performance du chauffe-eau. Faites couler l'eau du robinet le plus près du chauffe-eau jusqu'à ce qu'elle soit chaude. Au moyen d'un thermomètre calibre, prenez une mesure. Si l'eau n'est pas à une température convenable pour le type d'installation, modifiez le réglage sur les commandes. Appuyez sur les boutons COOLER (plus froid) et HOTTER (plus chaud) simultanément et maintenez-les enfoncés pendant une seconde. Puis, appuyez soit sur COOLER, soit sur HOTTER, jusqu'à ce que s'illumine la température voulue.

Ce registre (ou un registre similaire) doit être rempli comme suit :

MESURER LA TEMPÉRATURE DE L'EAU FOURNIE

▲ MISE EN GARDE

Un réglage trop élevé du thermostat crée un risque d'ébouillement. Le réglage de température recommandé pour un usage résidentiel normal est de 49 °C (120 °F). Si des réglages de température plus élevés sont nécessaires à des fins d'usage d'appareils électroménagers multiples ou commerciaux, une valve de tempérage automatique doit être posée sur toutes les conduites domestiques d'eau chaude.

INSPECTEZ L'INSTALLATION ET AJUSTEZ LES COMMANDES

Dans le cas du gaz naturel, la pression d'admission est pré-réglée à 4,0 po CE, et la pression d'entrée acceptable se situe dans la plage de 5 à 14 po CE. Dans le cas du gaz propane, la pression d'admission est pré-réglée à 10,0 po CE, et la pression d'entrée acceptable se situe dans la plage de 11 à 14 po CE. Consultez la partie traitant de la pré-installation (Avant l'installation) du présent manuel pour en savoir plus sur les dégagements, l'approvisionnement en air et la ventilation.

Le thermostat a été réglé en usine à 49 °C (120 °F). Attendez que le thermostat ait coupé les gaz au brûleur principal. Attendez 30 secondes après la coupure des gaz, puis réglez le thermostat à la plus haute température. Le brûleur principal devrait se rallumer. Réglez le thermostat à sa plus basse température; le brûleur principal devrait s'éteindre. Le thermostat devrait être configuré au réglage minimal pour répondre aux besoins en eau chaude du propriétaire ou de l'utilisation commerciale.

PARTIE V : UTILISATION (suite)

La figure 20 fournit une description par étapes de la séquence d'opérations de ce chauffe-eau. Consultez la partie sur le Dépannage du présent manuel pour les solutions aux codes d'erreur.

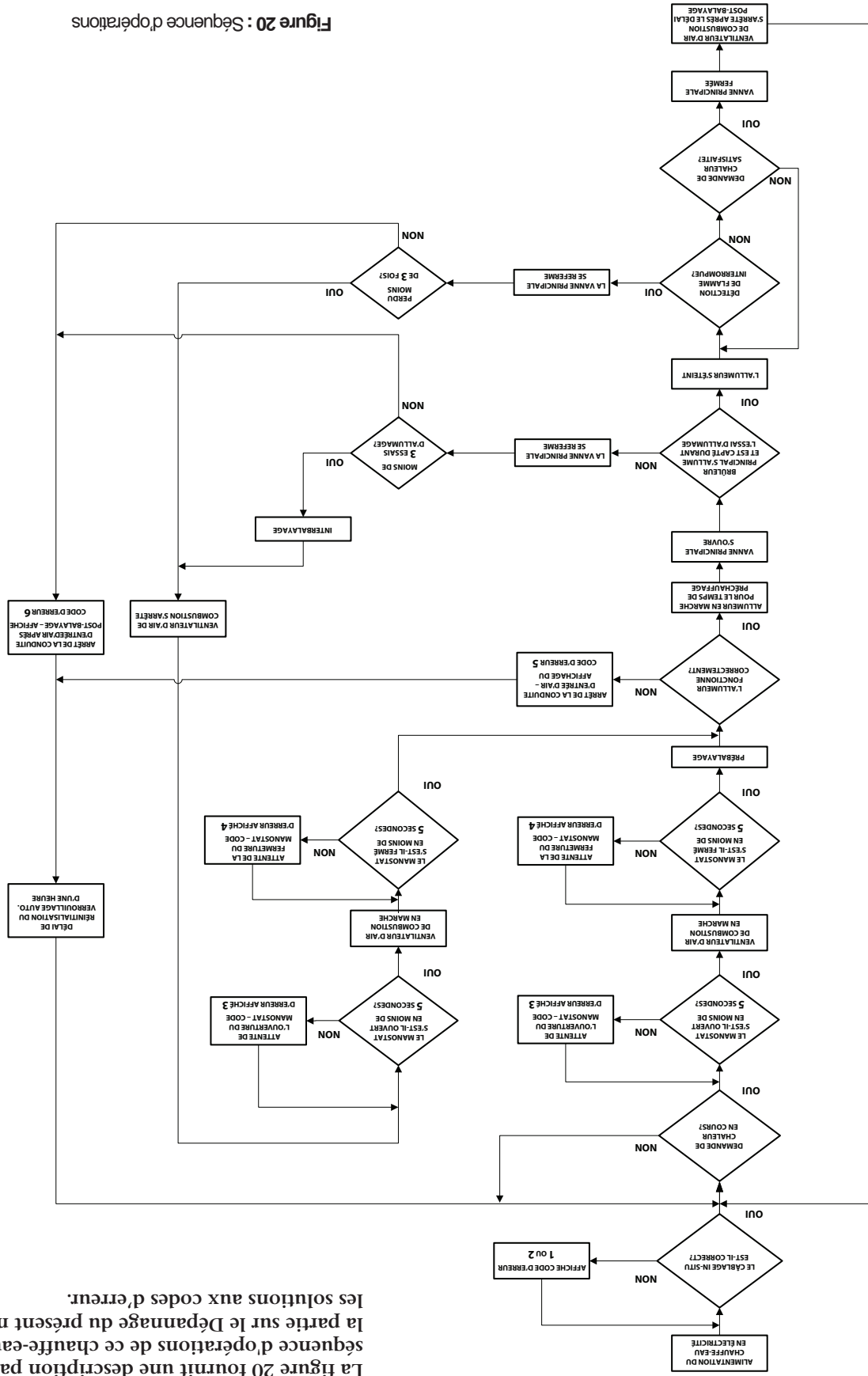


Figure 20 : Séquence d'opérations

Figure 19 : Directives de mise en marche du chauffe-eau

PARTIE V : UTILISATION

POUR VOTRE SÉCURITÉ, LISEZ CE CI AVANT LA MISE EN MARCHÉ

AVERTISSEMENT : Si les informations figurant aux présentes ne sont pas suivies à la lettre, un incendie ou une explosion peuvent survenir et provoquer des dommages matériels ou des blessures corporelles pouvant causer la mort.

- Si vous ne pouvez joindre votre fournisseur de gaz, appelez le service d'incendie.
- N'utilisez que vos mains pour enfoncer ou tourner les boutons de commande du gaz. N'utilisez jamais d'outils. Si les boutons de commande ne s'enfoncent pas ou sont impossibles à tourner manuellement, n'essayez pas de les réparer. Appelez plutôt un technicien en entretien et en réparation qualifié. La force ou les tentatives de réparation peuvent provoquer un incendie ou une explosion.
- N'utilisez pas cet appareil si l'une ou l'autre de ses pièces a été immergée. Appelez immédiatement un installateur qualifié ou un service de réparation pour remplacer un chauffe-eau inondé. N'essayez pas de réparer l'appareil. Il doit être remplacé!

DIRECTIVES D'UTILISATION

1. ATTENDEZ! Lisez les renseignements sur la sécurité qui précèdent sur cette étiquette.
2. Coupez toute source d'alimentation électrique à l'appareil.
3. Réglez le thermostat au plus bas en appuyant sur les boutons COOLER (plus froid) et HOTTER (plus chaud).
4. Coupez toute source d'alimentation électrique à l'appareil. Ce seul le voyant WARM (ou ▲) soit illuminé.
5. Cet appareil est muni d'un dispositif qui allume automatiquement le brûleur. N'ESSEYEZ PAS D'ALLUMER LE BRÔLEUR MANUELLEMENT.
6. Attendez cinq (5) minutes avant d'expulser tous les gaz. Si vous détectez une odeur d'essence, ARRÊTEZ! Rapportez-vous au point B des renseignements sur la sécurité qui précèdent sur cette étiquette. Si vous ne sentez aucune odeur de gaz, passez à la prochaine étape.
7. Ouvrez toutes les sources d'alimentation de l'appareil. Réglez le thermostat à la température voulue en appuyant simultanément et en les tenant enfoncés pendant une seconde. Puis, appuyez sur le bouton HOTTER (plus chaud) simultanément et en les tenant enfoncés pendant une seconde. Puis, appuyez sur le bouton COOLER (plus froid) et HOTTER (plus chaud) jusqu'à ce que la température voulue soit s'affiche.



POUR COUPER LES GAZ!

1. Réglez le thermostat au plus bas en appuyant tout d'abord sur les boutons COOLER (plus froid) et HOTTER (plus chaud) simultanément et en les tenant enfoncés pendant une seconde. Puis, appuyez sur le bouton COOLER (plus froid) et HOTTER (plus chaud) jusqu'à ce que seul le voyant WARM soit illuminé.
2. Coupez toute source d'alimentation électrique de l'appareil.

QUOI FAIRE SI UNE ODEUR DE GAZ EST DÉTECTÉE

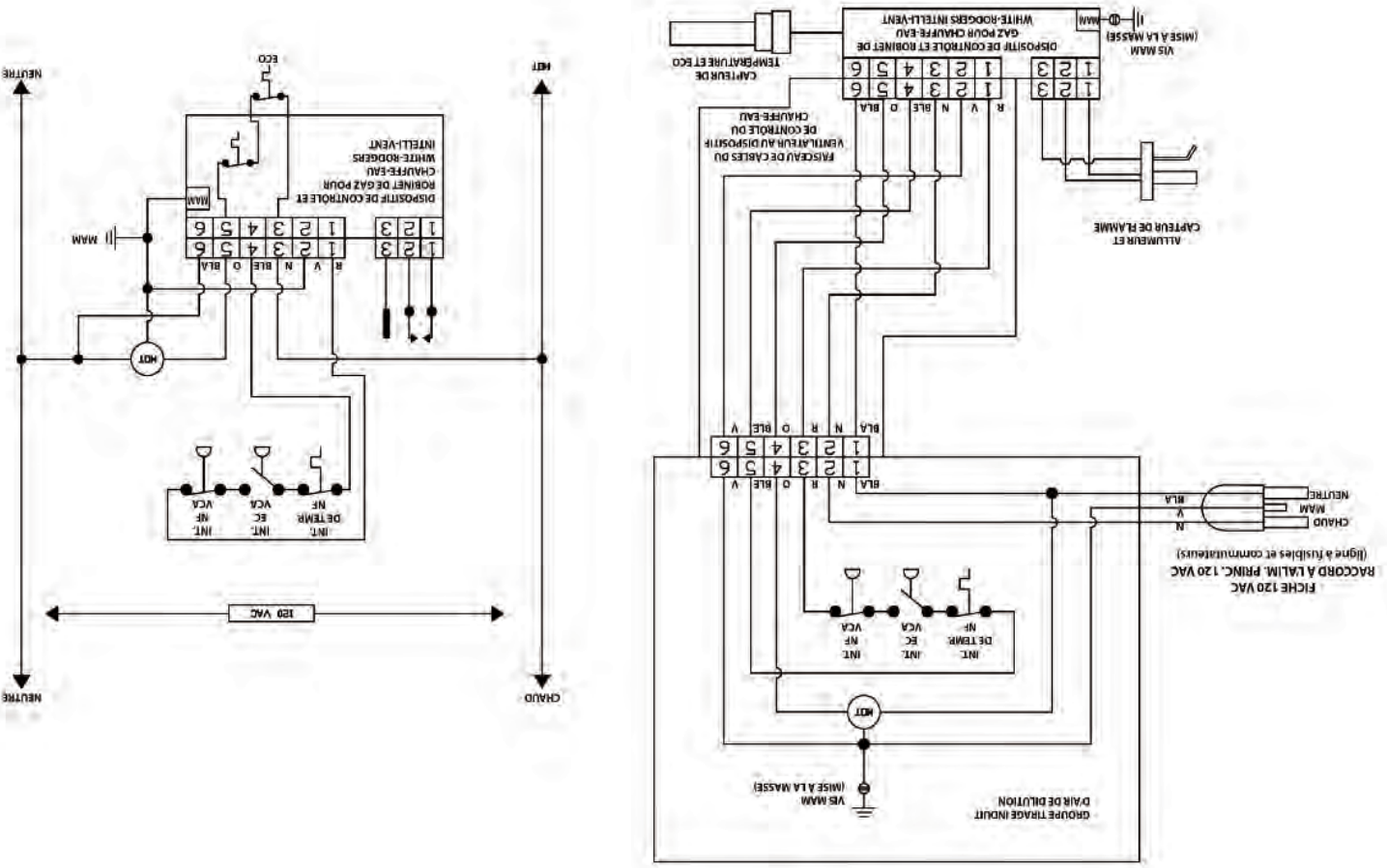
- A. Cet appareil n'est pas muni d'un pilote. Il est muni d'un dispositif d'allumage qui allume automatiquement le brûleur. N'essayez pas d'allumer le brûleur manuellement.
- B. AVANT L'UTILISATION, sentez la zone entourant l'appareil pour détecter toute odeur de gaz. Assurez-vous de sentir l'air et s'accumuleront au sol.
- C. Ne touchez à aucun interrupteur électrique; n'utilisez aucun téléphone dans votre immeuble.
- D. Téléphonez immédiatement à votre fournisseur de gaz à partir du téléphone d'un voisin. Suivez les consignes du fournisseur de gaz.

Tous les fils et les connexions électriques doivent être conformes aux codes locaux. En l'absence de codes locaux, le câblage doit être conforme au National Electric Code ANSI/NFPA No 70 ou au Code canadien de l'électricité C22.1. Ce chauffe-eau doit être mis à la masse. L'électricité doit être alimentée par un interrupteur général à fusible situé à proximité du chauffe-eau. Là où les codes locaux l'autorisent, utilisez le cordon d'alimentation fourni pour un branchement sur place. Une prise de mise à la masse est toujours requise. Si les codes locaux n'autorisent pas l'usage du cordon d'alimentation, retirez le cordon du ventilateur soufflant et remplacez-le par un cordon d'alimentation et des connexions convenables (120 V, 60 Hz). Le chauffe-eau consomme moins de 5 ampères (max.). Vérifiez si la polarité est appropriée au branchement à la source principale d'alimentation avant de faire fonctionner le chauffe-eau.

▲ MISE EN GARDE

Coupez toute source d'alimentation électrique au chauffe-eau avant d'en effectuer la réparation. Étiquetez tous les câbles avant de les débrancher en vue de la réparation des commandes. Des erreurs de câblage peuvent entraîner une utilisation inappropriée et dangereuse. Vérifiez si tout fonctionne correctement après la réparation.

Un schéma des composants et du câblage est illustré à la figure 18.



PARTIE IV : INSTALLATION (suite)
RACCORDEMENTS DU GAZ (suite)

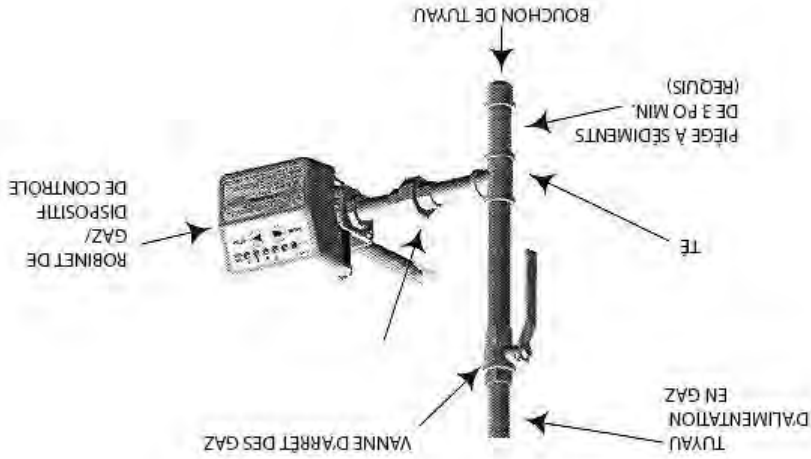


Figure 16 : Conduite de gaz au robinet/au dispositif de contrôle

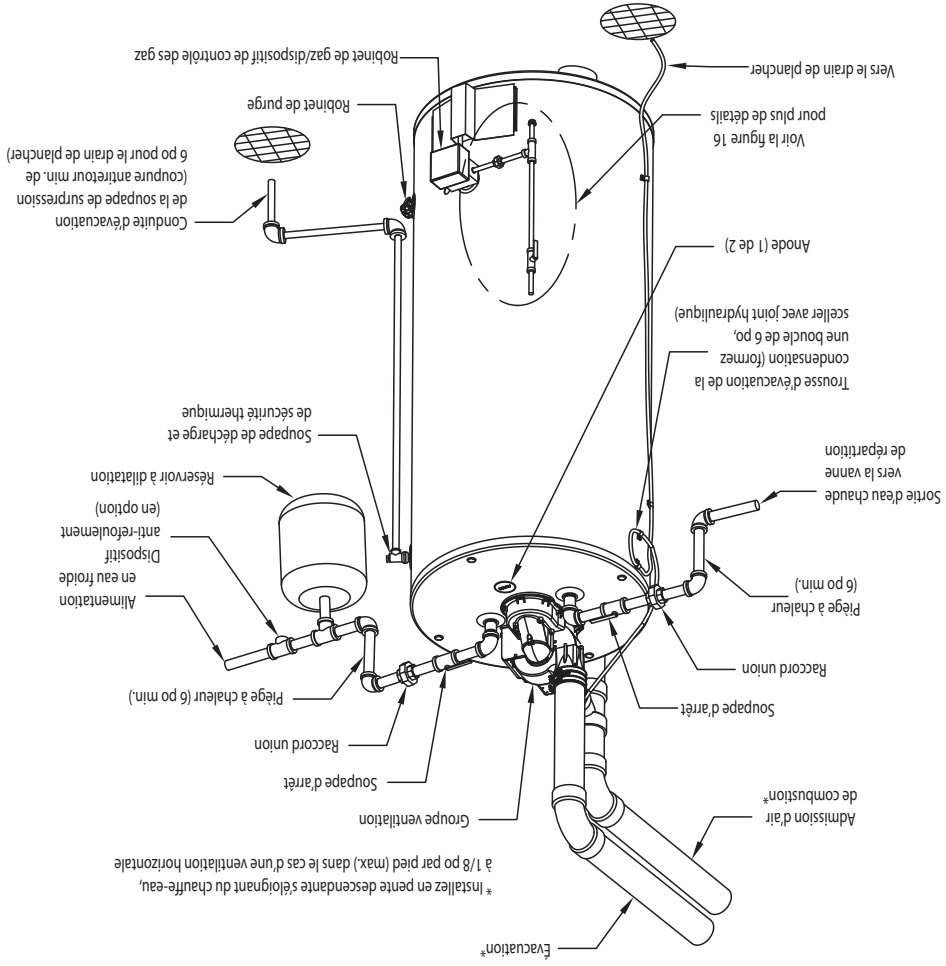


Figure 17 : Raccordements de l'eau, du gaz et d'évent recommandés

▲ MISE EN GARDE

N'utilisez pas ce chauffe-eau avec des gaz autres que ceux répertoriés sur l'étiquette. Vérifiez l'étiquette apposée à l'avant du chauffe-eau est assurez-vous que le gaz que vous utiliserez correspond à l'un des gaz qui y sont répertoriés. Consultez votre société gazière locale ou Bock Water Heaters pour toute question.

Une valve manuelle, un raccord union et un piège à sédiments seront fournis à l'avant du robinet de gaz. L'ensemble des canalisations de gaz doit être conforme aux codes locaux et (ou) au National Fuel Gas Code ANSI Z223.1/NFPA 54, ou à la norme CSA-B149.1.

Remarque : Lorsque vous évaluez la dimension du tuyau de gaz au chauffe-eau, assurez-vous que la pression au robinet soit suffisante lorsque tous les autres appareils sont en marche. Une conduite de gaz sous-dimensionnée réduira la performance et la durée de vie du chauffe-eau, en plus de provoquer des mises en dérangements importantes. Assurez-vous également que la conduite et le compteur de gaz sont de taille appropriée à la charge.

Les conduites de gaz devraient être surdimensionnées. Par exemple, $\frac{3}{4}$ de po ou 1 po (ou plus) pour un robinet de $\frac{1}{2}$ po à 61 cm (2 pi) ou moins du robinet lui-même. Cela maintient la pression au robinet lors du démarrage de manière à prévenir les retours de flamme causés par une perte de pression momentanée. Dans le cas du gaz naturel, une pression de 5 po CE doit être maintenue en amont du robinet de gaz durant le fonctionnement de l'appareil. Dans le cas du GPL, une pression de 11 po CE doit être maintenue en amont du robinet de gaz. Un raccord de tuyauterie NPT de $\frac{1}{8}$ de po devrait être posé en amont de la soupape d'arrêt manuelle pour vérifier la pression entrante du gaz.

Au cours du test de pression de la conduite d'alimentation en gaz, fermez la soupape d'arrêt manuelle de l'alimentation en gaz au chauffe-eau. La pression mesurée ne devrait pas excéder $\frac{1}{2}$ PSIG (14 po CE). Le régime du robinet de gaz est limité à $\frac{1}{2}$ PSIG. Pour les essais à des pressions supérieures à $\frac{1}{2}$ PSIG, fermez la soupape d'arrêt manuelle et débranchez le robinet de contrôle des gaz.

Ouvrez le gaz et inspectez la conduite pour voir s'il y a des fuites en « péignant » chaque joint avec de l'eau savonneuse et en observant la présence de bulles d'air. Assurez-vous que l'excédent d'eau ne s'infiltre pas dans le boîtier de plastique et que tous les fils restent secs.

▲ AVERTISSEMENT

N'UTILISEZ PAS une flamme nue pour observer la présence de fuites. Des blessures sérieuses peuvent être mortelles peuvent être provoquées par un incendie ou une explosion.

Le composé pour filetage utilisé sur les conduites de gaz doit être d'un type résistant au gaz propane. N'utilisez pas de ruban pour joints filetés sur les conduites de gaz.

Les conduites de gaz qu'il est recommandé d'installer sur les commandes du chauffe-eau sont indiquées à la figure 16. La figure 17 donne un aperçu de tous les raccords de tuyaux sur les chantiers.

PARTIE IV : INSTALLATION (suite)

RACCORDEMENTS D'EAU

▲ MISE EN GARDE

Ce chauffe-eau comprend des raccords qui comportent une doublure non métallique. NE CHAUFFEZ PAS ces raccords lorsque vous soudez des raccords à l'étain sur ce chauffe-eau. Soudez à l'étain le tuyau à un adaptateur avant de fixer solidement l'adaptateur à l'un ou l'autre des raccords du chauffe-eau.

TOUS LES TUYAUX DOIVENT ÊTRE CONFORMES AUX CODES ET AUX ORDONNANCES LOCAUX. Il est fortement recommandé de poser des raccords unions et des soupapes d'arrêt aux raccords de l'eau potable pour permettre l'isolation et (ou) le mouvement durant les réparations. Toute la tuyauterie devrait être adéquatement isolée au moyen d'un matériau approuvé afin de minimiser les pertes de chaleur.

RACCORDEMENTS D'EAU POTABLE

LE CHAUFFE-EAU DOIT ÊTRE REMPLI D'EAU AVANT D'ALLUMER LE BRÛLEUR.

1) Fermez la vanne principale d'alimentation en eau avant de poursuivre l'installation. Une fois la principale source d'alimentation en eau coupée, déchargez la pression de la conduite d'eau en ouvrant un robinet. Une fois la pression déchargée, fermez le robinet. Les raccordements d'eau potable chaude et froide sont proprement étiquetés sur le chauffe-eau. Posez un raccord union et une soupape d'arrêt aux deux points de raccordement d'eau potable. Tous les tuyaux devraient être en cuivre, neufs, et d'un diamètre de 3/4 de po ou plus. Il est recommandé d'installer une vanne de tempérage ou de mitigation à la sortie d'eau potable et d'utiliser un tel dispositif conformément aux directives du fabricant afin de prévenir les ébouillantage.

2) Si un dispositif anti-refoulement, un clapet de non-retour ou un régulateur de pression est requis à la sortie d'eau froide, un réservoir à dilatation thermique doit être installé pour contrôler l'expansion due à la dilatation thermique. Ne faites pas fonctionner le chauffe-eau dans un réseau fermé sans installer de réservoir à la chaudière. Suivez les recommandations du fabricant du réservoir à dilatation lors de la sélection d'un réservoir pour votre système.

3) Au terme de l'installation des conduites d'eau, ouvrez la vanne d'alimentation en eau principale et remplissez le chauffe-eau. Ouvrez plusieurs robinets d'eau chaude pour décharger l'air du système. Lorsque l'eau coule des robinets et que le système est vide de son air, fermez les robinets et vérifiez la présence de fuites dans le système.

Remarque : N'essayez pas de chauffer l'eau dure; cela réduira considérablement la durée de vie du chauffe-eau. Installez un adoucisseur d'eau ou tout autre système de traitement anti-tartre de l'eau si le chauffe-eau est installé dans une région propice à l'eau dure (dureté de l'eau supérieure à sept particules).

- Par-dessus l'apprêt fraîchement appliqué, étendez une couche normale de colle dans l'évasement du raccord et le point de raccordement du tuyau.
 - Insérez le tuyau dans le raccord en effectuant un léger mouvement de torsion. Assurez-vous que le tuyau soit inséré jusqu'au fond du raccord.
 - Tenez le tuyau et le raccord pendant 30 secondes pour éviter que le tuyau ne soit expulsé du raccord.
 - Essayez tout excédent de colle. Le durcissement peut prendre jusqu'à deux heures pour un tuyau de 3 po à une température de 15,6 °C (60 °F). Le durcissement prendra plus longtemps si le tuyau a un plus grand diamètre et (ou) si la température est plus basse.
- Remarque :** Les tuyaux et raccords de ventilation et d'admission d'air de combustion doivent se superposer d'au moins 1,3 cm (1/2 po) à chaque joint. **NE PERCEZ ou ne percez aucun trou dans les tuyaux et les raccords de plastique.**

Trousse de drainage des produits de condensation

- Lorsqu'il est impossible d'orienter la pente du système d'évacuation de la condensation, suivez les étapes suivantes pour installer la trousse correctement.
- Coupez toute source d'alimentation électrique au chauffe-eau.
 - Retirez le capuchon jaune de l'adaptateur d'évacuation.
 - Insérez une extrémité du tuyau de plastique de 3/8 de po de diamètre extérieur dans le raccord de l'adaptateur d'évacuation. Le tube devrait être bien serré et sans jeu dans le raccord. Si le raccordement n'est pas serré, appliquez du ruban adhésif d'aluminium autour du branchement pour bien fixer le tout.
 - Formez un siphon en bouclant une portion du tuyau de plastique en un cercle d'environ 15 cm (6 po) de diamètre. En tenant compte du chauffe-eau, formez la boucle de sorte qu'elle puisse être fixée au dernier tiers supérieur du chauffe-eau.
 - Utilisez les pinces à boucle et les vis fournis avec l'appareil pour fixer solidement le siphon en forme de boucle au côté du chauffe-eau de manière à ce qu'il soit retenu en place.
 - Le tuyau d'évacuation de la condensation doit aboutir dans un drain de plancher ou un seau collecteur approprié. Au besoin, prolongez le tuyau jusqu'à ce qu'il atteigne un drain de plancher.
 - Injectez de l'eau dans le siphon en boucle avant de reprendre l'utilisation du chauffe-eau. Débranchez l'extrémité du tuyau qui était raccordée à l'adaptateur d'évacuation. Amenez l'extrémité libre au-dessus du siphon en boucle et versez de l'eau dans le tuyau jusqu'à ce que le siphon soit à moitié plein.
 - Rebranchez l'extrémité libre au raccord de l'adaptateur d'évacuation, et rebranchez l'alimentation électrique au chauffe-eau.

▲ DANGER

L'omission d'injecter de l'eau dans le siphon d'évacuation de condensation provoquera l'infiltration de gaz de combustion (pouvant contenir du monoxyde de carbone) dans la pièce. Pour éviter les risques d'asphyxie au monoxyde de carbone, ne faites jamais fonctionner le chauffe-eau si le siphon de vidange de la condensation n'est pas étanchéisé avec de l'eau.

Un exemple d'une telle installation est illustré à la figure 17.

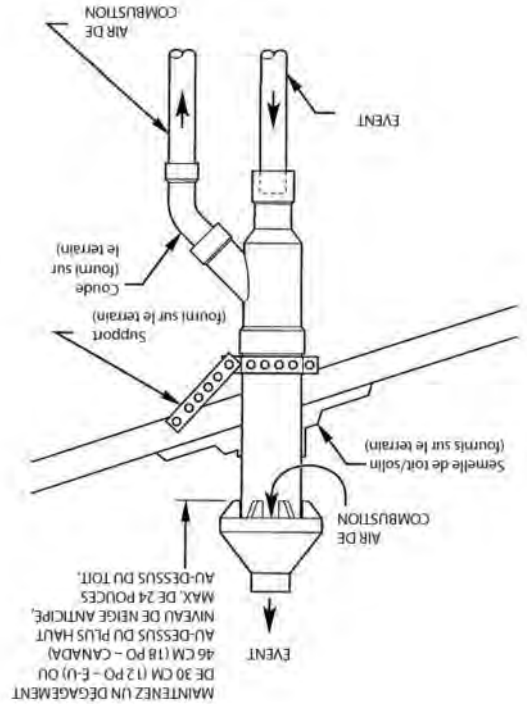
- Appliquez librement un apprêt à l'intérieur de l'évaseur de l'évaseur et du point de raccordement du tuyau.
 - Vérifiez l'ajustement à sec. Le tuyau devrait entrer du tiers de sa longueur sans difficulté dans l'évaseur de l'évaseur du raccord.
 - Nettoyez toute saleté, poussière ou moisissure de l'évaseur de l'évaseur et du point de raccordement du tuyau.
 - Coupez le tuyau à l'équerre avec une scie égoïne et nettoyez les ébarbures des rebords intérieurs et extérieurs.
- Les connexions (c.-à-d. les joints) entre le tuyau de plastique et les raccords doivent être correctement scellés. Vous devez pour ce faire utiliser l'apprêt (nettoyant) et la colle (solvant) appropriés au type de matériau (PVC, CPVC, ABS) utilisé dans le système de ventilation. Dans le cas du PVC, utilisez une colle de classe ASTM D2564; s'il s'agit de CPVC, utilisez une colle de classe ASTM F493; enfin, pour l'ABS, prenez une colle de classe ASTM D2235. Les étapes suivantes doivent être suivies lorsque vous raccordez des tuyaux de plastique à des raccords.

▲ MISE EN GARDE
N'UTILISEZ PAS une colle grumeluse ou épaisse. NE DILUEZ PAS la colle.

▲ AVERTISSEMENT
 Les colles et apprêts sont hautement inflammables. Assemblez les joints dans un endroit bien aéré, loin des sources de chaleur ou des flammes nues. Ne fumez pas.
 Lisez les notices de mise en garde et d'avertissement des contenants de matériaux.

Assemblage des joints des tuyaux d'évacuation et de prise d'air

Figure 15 : Installation au toit d'un évent



Remarque : Évitez toute accumulation de matière isolante ou d'autres matériaux à l'intérieur de la tuyauterie pendant l'installation du système sur le toit.

Insérez le capuchon et le petit tuyau dans le raccord concentrique de division en Y et le tuyau à grand diamètre. Assurez-vous que le tuyau à petit diamètre est poussé le plus loin possible et qu'il est fixé avec de la colle au raccord à division en Y. Complétez l'installation de la tuyauterie intérieure et raccordez celle-ci au chauffe-eau. Rapportez-vous à la figure 11, réseaux de tuyaux de 3 po, pour plus de détails sur les raccords. La tuyauterie doit être suffisamment supportée. À tout le moins, un support devrait être posé tous les 1,22 m (4 pi) de longueur de tuyauterie de ventilation ou d'admission. Pour en savoir plus, consultez les directives d'installation fournies avec la trousse d'évacuation des produits cas de la ventilation verticale, la trousse d'évacuation des produits de condensation doit être posée sur l'adaptateur d'évacuation.

VENTILATION ET ENTRÉE D'AIR DE COMBUSTION (suite)

Ventilation verticale, directe, terminaison concentrique

Ce chauffe-eau peut être ventilé verticalement (par le toit) grâce à une trousse de terminaison d'évent concentrique. Seul un orifice aménagé dans le toit extérieur est requis pour l'évent concentrique. Autant le tuyau d'admission d'air que celui de ventilation doivent être raccordés à la terminaison de ventilation concentrique.

Tous les dégagements doivent être conformes aux codes locaux ou aux plus récentes éditions des normes NFPA

54/ANSI Z223.1 ou CSA B149. Les valeurs minimales de dégagement de l'aide-mémoire suivant doivent être respectées (voir la figure 14 pour en savoir plus).

- Minimum de 30 cm (12 po) au-dessus du toit.
- Minimum de 30 cm (12 po) au-dessus du niveau de neige anticipé.
- Maximum de 61 cm (24 po) au-dessus du niveau du toit sans support additionnel de l'évent.
- 1,2 m (4 pi) de n'importe quel pignon, lucarne ou autre structure de toit permettant d'accéder à l'intérieur (une cheminée ou une fenêtre, par exemple).
- 3 m (10 pi) de toute admission d'air forcé au bâtiment. Toute prise d'air extérieur ou d'appoint (une sècheuse ou une fournaise, par exemple) sont réputées être des prises d'air forcé.

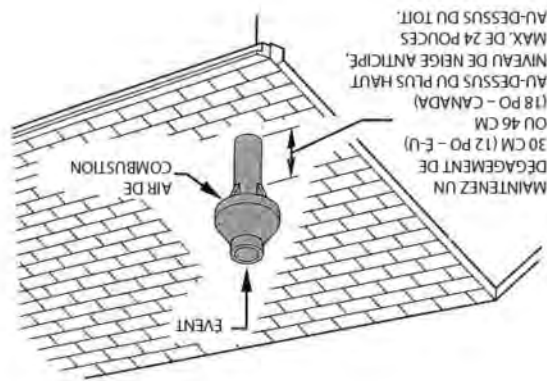
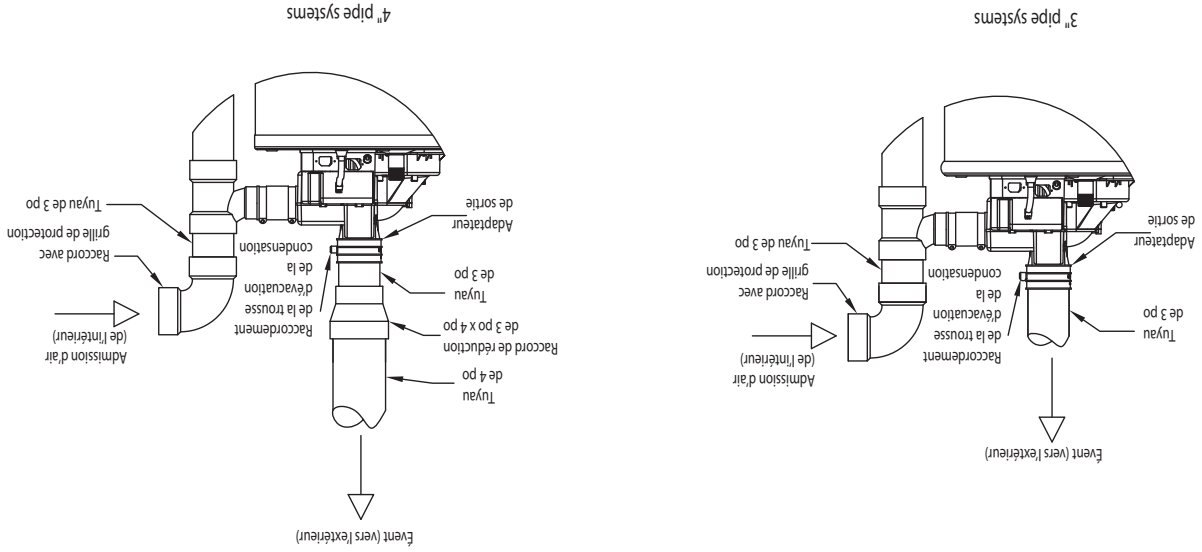


Figure 14 : Dégagements pour l'évent de toit concentrique

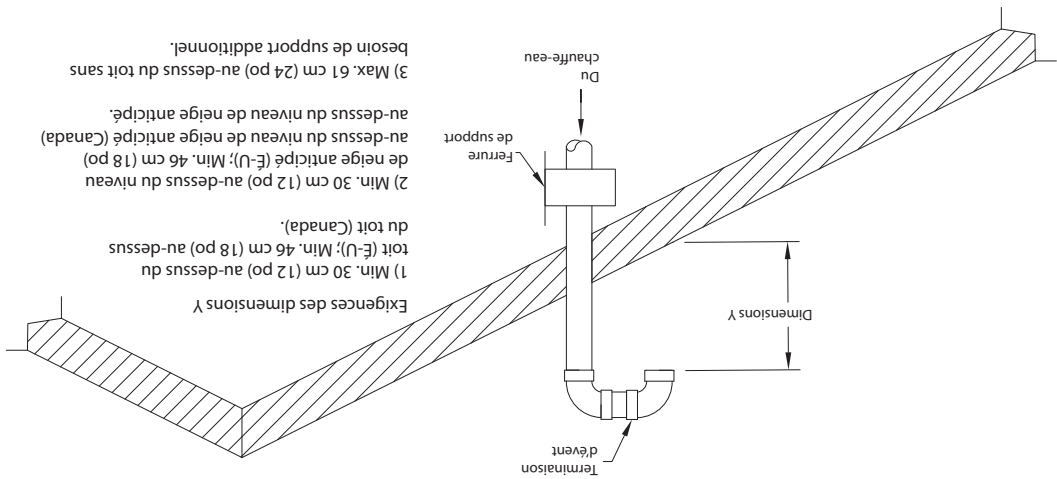
Percez un orifice de 12,7 cm (5 po) dans le toit. Assurez-vous que le raccord de division en Y soit collé au tuyau à grand diamètre et que le capuchon soit collé au tuyau à petit diamètre. Installez le raccord concentrique de division en Y et le groupe tuyau à grand diamètre dans l'orifice de 12,7 cm (5 po) percé dans le toit et la semelle de toit/le solin fournis sur le terrain. Rapportez-vous à la figure 15 pour connaître les détails de l'installation.

Figure 13 : Raccordements du système de ventilation à air pulsé au chauffe-eau



Faites passer les tuyaux dans le mur ainsi qu'illustré à la figure 12. Une longueur de tuyau suffisante pour y fixer le raccord d'extrémité doit faire saillie du côté extérieur. Les directives de fixation à la colle des raccords (les raccords d'extrémité au tuyau droit, par exemple) figurent à la page 24. Deux coudes de 90° sont recommandés à l'extrémité d'évacuation pour réduire les risques d'infiltration de pluie, de neige ou de corps étrangers dans le système. Posez un grillage à l'intérieur du raccord de terminaison de l'admission d'air. Complétez l'installation du reste du système de ventilation, et raccordez-le au chauffe-eau. La tuyauterie doit être suffisamment supportée. À tout le moins, un support devrait être posé tous les 1,22 m (4 pi) de longueur de tuyauterie de ventilation. Dans le cas de la ventilation verticale, la trousse de drainage des produits de condensation doit être posée sur l'adaptateur d'évacuation.

Figure 12 : Ventilation verticale, terminaison à 1 tuyau



VENTILATION ET ENTRÉE D'AIR DE COMBUSTION (suite)

Faites passer les tuyaux dans le mur ainsi qu'illustré à la figure 10. Une longueur de tuyau suffisante pour y fixer le raccord d'extrémité doit faire saillie du côté extérieur. Les directives de fixation à la colle des raccords (par exemple les raccords d'extrémité au tuyau droit) figurent à la page 24. Deux coudes de 90° sont recommandés aux terminaisons d'admission et d'évacuation pour réduire les risques d'infiltration de pluie, de neige ou de corps étrangers dans le système. Posez également un grillage à l'intérieur du raccord de terminaison de l'admission d'air. Complétez l'installation du reste du système de ventilation et de l'admission de l'air, et raccordez-le au chauffe-eau. La tuyauterie doit être suffisamment supportée. À tout le moins, un support devrait être posé tous les 1,22 m (4 pi) de longueur de la tuyauterie de ventilation ou d'admission. Dans le cas de la ventilation verticale, la trousse de drainage des produits de condensation doit être posée sur l'adaptateur d'évacuation.

▲ MISE EN GARDE

Les espaces en forme d'anneau autour des orifices des tuyaux d'évent doivent être scellés de façon permanente au moyen des matériaux approuvés pour prévenir l'infiltration de produits de la combustion dans le bâtiment.

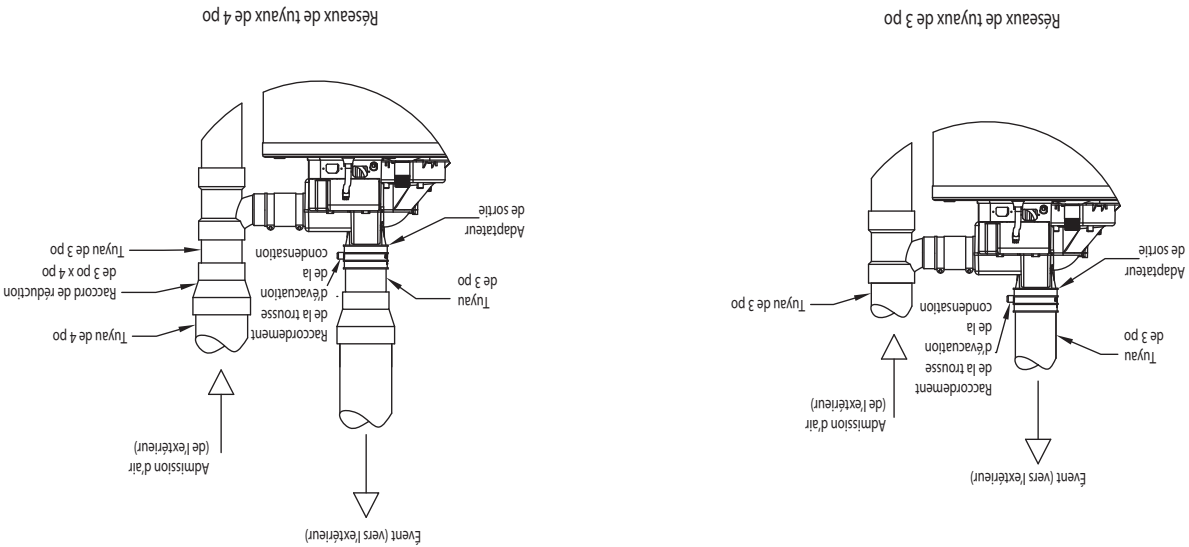


Figure 11 : Raccordements du système vertical à ventilation directe au chauffe-eau

Ventilation verticale, à air pulsé, terminaison à un tuyau

Ce chauffe-eau peut être ventilé verticalement (par un toit) grâce à une terminaison à un tuyau. Dans un tel contexte, le chauffe-eau utilisera l'air de l'intérieur du bâtiment pour la combustion. Seul un orifice aménagé dans le toit du bâtiment est requis pour le tuyau d'évent.

Remarque : Si c'est l'air de l'extérieur qui sera utilisé comme air de combustion, les exigences relatives aux espaces clos de la partie III doivent être respectées.

Tous les dégagements doivent être conformes aux codes locaux ou aux plus récentes éditions des normes NFPA 54/ANSI Z223.1 ou CSA B149. Les valeurs minimales de dégagement de l'aide-mémoire suivant doivent être respectées:

- Minimum de 30 cm (12 po) au-dessus du toit.
- Minimum de 30 cm (12 po) au-dessus du niveau de neige anticipé.
- Maximum de 61 cm (24 po) au-dessus du niveau du toit sans support additionnel de l'évent.
- 1,2 m (4 pi) de n'importe quel pignon, lucarne ou autre structure de toit permettant d'accéder à l'intérieur (une cheminée ou une fenêtre, par exemple).
- 3 m (10 pi) de toute admission d'air forcé au bâtiment. Toute prise d'air extérieur ou d'appoint (une sècheuse ou une fournaise, par exemple) sont réputées être des prises d'air forcé.

PARTIE IV : INSTALLATION (suite)

VENTILATION ET ENTRÉE D'AIR DE COMBUSTION (suite)

Insérez le capuchon et le petit tuyau dans le raccord concentrique de division en Y et le tuyau à grand diamètre. Assurez-vous que le tuyau à petit diamètre est poussé le plus possible au fond et qu'il est fixé avec de la colle au raccord concentrique à division en Y. Complétez l'installation de la tuyauterie intérieure et raccordez celle-ci au chauffe-eau. Rapportez-vous à la figure 4, réseaux de tuyaux de 3 po, pour plus de détails sur les raccords. Il est recommandé que les sections horizontales de tuyauterie présentent une pente descendante s'éloignant du chauffe-eau à un minimum de 3,2 mm par 30 cm (1/8 po par pied) pour éviter que les produits de condensation ne s'écoulent vers le chauffe-eau. La tuyauterie doit être suffisamment supportée. À tout le moins, un support devrait être posé tous les 1,22 m (4 pi) de longueur de tuyauterie de ventilation ou d'admission. Pour en savoir plus, consultez les directives d'installation fournies avec la trousse de ventilation concentrique.

Ventilation verticale, directe, terminaison à deux tuyaux

Ce chauffe-eau peut être ventilé verticalement (par un toit) grâce à une terminaison à deux tuyaux. Deux orifices aménagés dans le toit sont requis pour poser les tuyaux de ventilation et d'admission d'air de combustion. Tous les dégagements doivent être conformes aux codes locaux ou aux plus récentes éditions des normes NFPA 54/ANSI Z223.1 ou CSA B149. Les valeurs minimales de dégagement de l'aide-mémoire fourni ci-dessous doivent être respectées.

- Minimum de 30 cm (12 po) au-dessus du toit.
- Minimum de 30 cm (12 po) au-dessus du niveau de neige anticipé.
- Maximum de 61 cm (24 po) au-dessus du niveau du toit sans support supplémentaire de l'évent.
- 1,2 m (4 pi) de n'importe quel pignon, lucarne ou autre structure de toit permettant d'accéder à l'intérieur (une cheminée ou une fenêtre, par exemple).
- 3 m (10 pi) de toute admission d'air forcé au bâtiment. Toute prise d'air extérieur ou d'appoint (une sècheuse ou une fournaise, par exemple) sont réputées être des prises d'air forcé.
- Un minimum de 30 cm (12 po) entre les lignes d'axe des terminaisons de l'évent et de l'admission d'air de combustion.

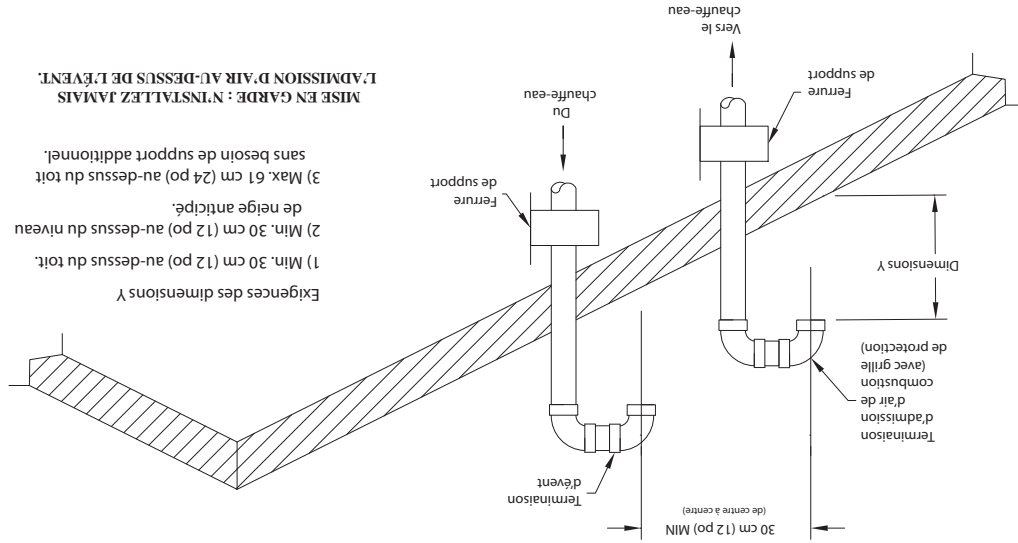


Figure 10 : Ventilation verticale, terminaison à deux tuyaux

▲ MISE EN GARDE

N'installez jamais la terminaison d'entrée d'air ou dessus de la terminaison de sortie de l'air.

VENTILATION ET ENTRÉE D'AIR DE COMBUSTION (suite)

Ventilation horizontale, ventilation directe, terminaison concentrique

Ce chauffe-eau peut être ventilé horizontalement (par un mur latéral) grâce à une trousse de terminaison concentrique de ventilation (évent). Seul un orifice aménagé dans le mur extérieur est requis pour l'évent concentrique. À la fois le tuyau d'admission d'air et le tuyau de ventilation doivent être raccordés à la terminaison de ventilation concentrique.

Tous les dégagements doivent être conformes aux codes locaux ou aux plus récentes éditions des normes NFPA 54/

ANSI Z223.1 ou CSA B149. Consultez la figure 2 et le tableau 8 pour les dégagements de la terminaison. Rapportez-vous à la figure 8 pour plus d'information.

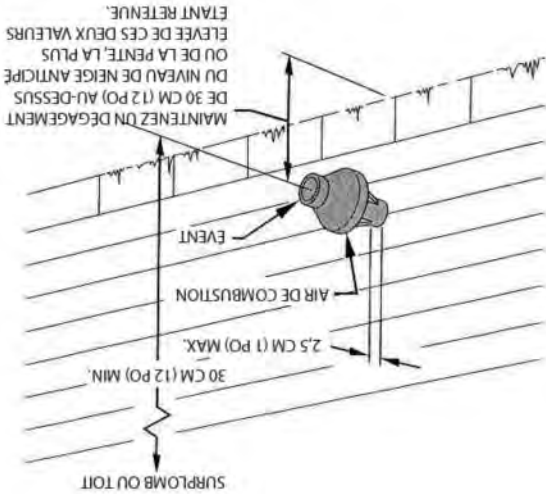


Figure 8 : Dégagements pour le mur d'un système à terminaison concentrique

Percez un orifice de 12,7 cm (5 po) dans le mur extérieur. Assurez-vous que le raccord concentrique de division en Y est collé au tuyau à grand diamètre et que le capuchon soit collé au tuyau à petit diamètre. Installez le raccord concentrique de division en Y et le groupe tuyau à grand diamètre dans l'orifice de 12,7 cm aménagé dans le mur. Rapportez-vous à la figure 9 pour plus de détails sur les fixations murales.

▲ MISE EN GARDE

Les espaces en forme d'anneau autour des orifices des tuyaux d'évent doivent être scellés de façon permanente au moyen des matériaux approuvés pour prévenir l'infiltration de produits de la combustion dans le bâtiment.

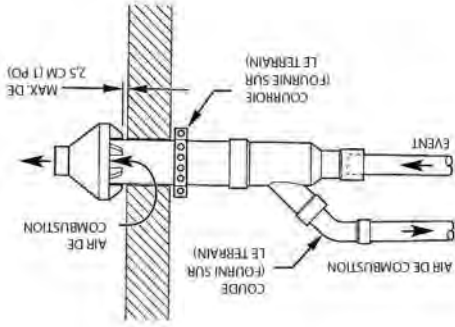


Figure 9 : Installation murale du système de ventilation concentrique

Remarque : Évitez toute accumulation d'isolant ou d'autres matériaux à l'intérieur de la tuyauterie pendant que vous procédez à l'installation murale.

VENTILATION ET ENTRÉE D'AIR DE COMBUSTION (suite)

Faites passer les tuyaux dans le mur tel qu'illustré à la figure 6. Une longueur adéquate de tuyau doit faire saillie du côté extérieur pour y fixer le raccord de terminaison. Un jeu de 2,5 cm (1 po) entre le raccord de terminaison et le mur extérieur est recommandé. Les directives de fixation des raccords (par exemple les raccords d'extrémité au tuyau droit) figurent à la page 24. Deux coudes de 45° sont fournis à titre de raccords de terminaison avec le chauffe-eau. Si d'autres raccords sont requis (p. ex. des coudes de 90°), ils doivent être achetés séparément. Installez un grillage à l'intérieur du raccord de terminaison du conduit d'admission d'air pour empêcher l'infiltration de corps étrangers dans le système. Achévez l'installation du système de ventilation et d'admission d'air, et raccordez-le au chauffe-eau comme l'illustre la figure 7. Il est recommandé que les sections horizontales de tuyauterie présentent une pente descendante s'éloignant du chauffe-eau à un minimum de 3,2 mm par 30 cm (1/8 po par pied) pour empêcher les produits de condensation de s'écouler vers le chauffe-eau.

Les espaces en forme d'anneau autour des orifices des tuyaux d'évent doivent être scellés de façon permanente au moyen des matériaux approuvés pour prévenir l'infiltration de produits de la combustion dans le bâtiment.

▲ MISE EN GARDE

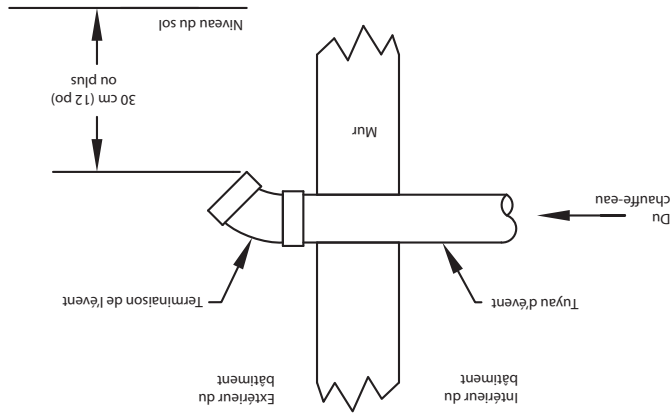


Figure 6 : Ventilation horizontale, terminaison à 1 tuyau

Coupe transversale du mur

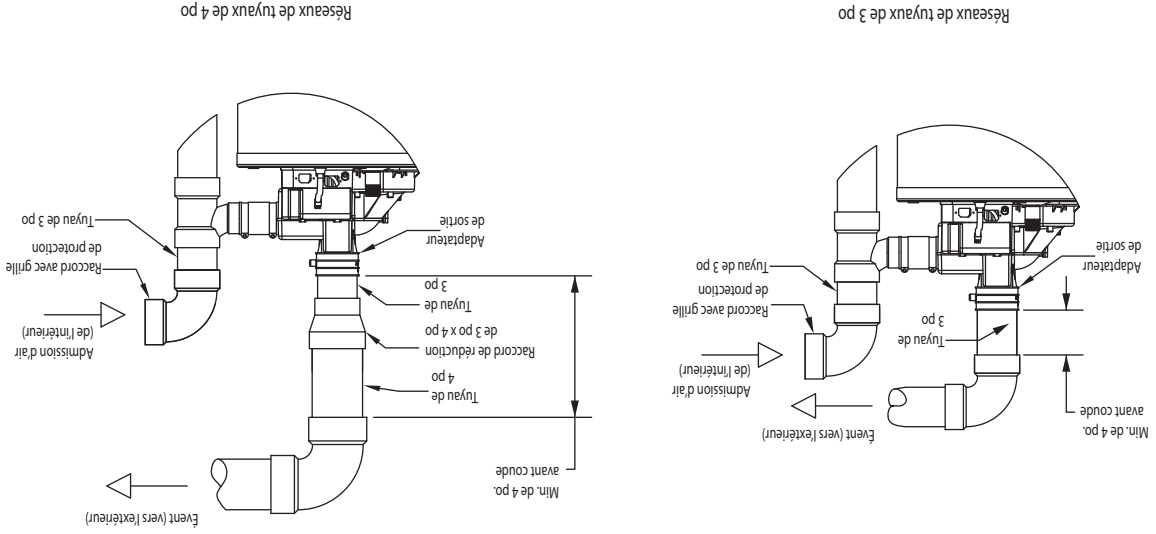


Figure 7 : Connexions d'un système horizontal à air puisé au chauffe-eau

VENTILATION ET ENTRÉE D'AIR DE COMBUSTION (suite)

Tableau 9 : Dégagements aux terminaisons des systèmes à air pulsé

Installations au Canada ¹	Installations aux F-U ²
A = Dégagement au-dessus du sol, d'une véranda, d'un porche, d'une terrasse en bois ou d'un balcon	30 cm (12 po)
B = Dégagement pour une fenêtre ou une porte qui s'ouvrent	30 cm (12 po)
C = Dégagement pour une fenêtre fermée en permanence	*
D = Dégagement pour un orifice de ventilation situé au-dessus de la terminaison, à 61 cm ou moins sur le plan horizontal de la ligne d'axe de la terminaison	*
E = Dégagement pour un orifice d'avant-toit non ventilé	*
F = Dégagement pour le coin extérieur	*
G = Dégagement pour le coin intérieur	*
H = Dégagement de part et d'autre de la ligne d'axe prolongée au-dessus du groupe compoteur/régulateur	91 cm (3 pi) sur une hauteur de 4,57 m (15 pi) au-dessus du groupe compoteur/régulateur
I = Dégagement autour de l'orifice d'évacuation du régulateur d'alimentation en gaz	91 cm (3 pi)
J = Dégagement pour une admission non mécanique d'air au bâtiment ou l'admission d'air de combustion de tout autre appareil	30 cm (12 po)
K = Dégagement pour une admission mécanique d'air	6 feet (1.83 m)
L = Dégagement au-dessus d'un trottoir asphalté ou d'une entrée de cour pavée située sur une propriété publique	7 feet (2.13 m)†
M = Dégagement au-dessus d'une véranda, d'un porche, d'une terrasse en bois ou d'un balcon	30 cm (12 po)‡

¹ Conforme au Code CSA B149.1 actuel sur l'installation de systèmes au gaz naturel et au propane.

² Conforme à la norme ANSI Z223.1 et au *National Fuel Gas Code*, le NFPA 54.

† Un évent ne doit en aucun cas aboutir directement au-dessus d'un trottoir ou d'une entrée de cour pavée située entre deux habitations unitaires si cette entrée de cour dessert les deux habitations.

‡ Autorisé seulement si la véranda, le porche, la terrasse en bois ou le balcon est complètement ouvert sur au moins deux côtés sous le plancher

* Les jeux sont conformes aux codes locaux du bâtiment et aux exigences du fournisseur de gaz

Outre les dégagements précisés, les éléments suivants devront être pris en compte lors de l'installation.

• N'aménagez pas la terminaison à proximité de dispositifs de ventilation, de galeries techniques, ou de toute autre zone où les produits de la condensation ou la vapeur peuvent créer un risque pour la santé ou causer des dommages matériels.

• N'aménagez pas la terminaison de ventilation là où des produits de condensation ou de la vapeur pourraient endommager des régulateurs, des soupapes de surpression ou d'autre équipement, ou encore nuire à leur fonctionnement.

• N'aménagez pas la terminaison de ventilation au-dessus des aires publiques ou des trottoirs, là où des produits de la condensation ou des vapeurs peuvent constituer une nuisance ou poser un risque.

• N'aménagez pas la terminaison de ventilation à proximité de plantes ou de buissons.

• Les tuyaux de ventilation et d'admission d'air doivent aboutir à un minimum de 30 cm (12 po) au-dessus du niveau de neige prévu afin de prévenir les obstructions.

MISE EN GARDE

N'installez jamais la terminaison d'entrée d'air au-dessus de la terminaison d'évent (évacuation) de l'air.

VENTILATION ET ENTRÉE D'AIR DE COMBUSTION (suite)

Ventilation horizontale, à air pulsé, terminaison à un tuyau

Ce chauffe-eau peut être ventilé horizontalement (par un mur latéral) grâce à une terminaison à un tuyau. Dans un tel contexte, le chauffe-eau utilisera l'air de l'intérieur du bâtiment pour la combustion. Un unique orifice aménagé dans le mur extérieur du bâtiment est requis pour le tuyau de ventilation.

Remarque : Si c'est l'air de l'extérieur qui sera utilisé comme air de combustion, les exigences relatives aux espaces clos de la partie III doivent être respectées.

Tous les dégagements doivent être conformes aux codes locaux ou aux plus récentes éditions des normes NFPA 54/ANSI Z223.1 ou CSA B149. Consultez la figure 5 et le tableau 9 pour les dégagements à l'extrémité d'évacuation.

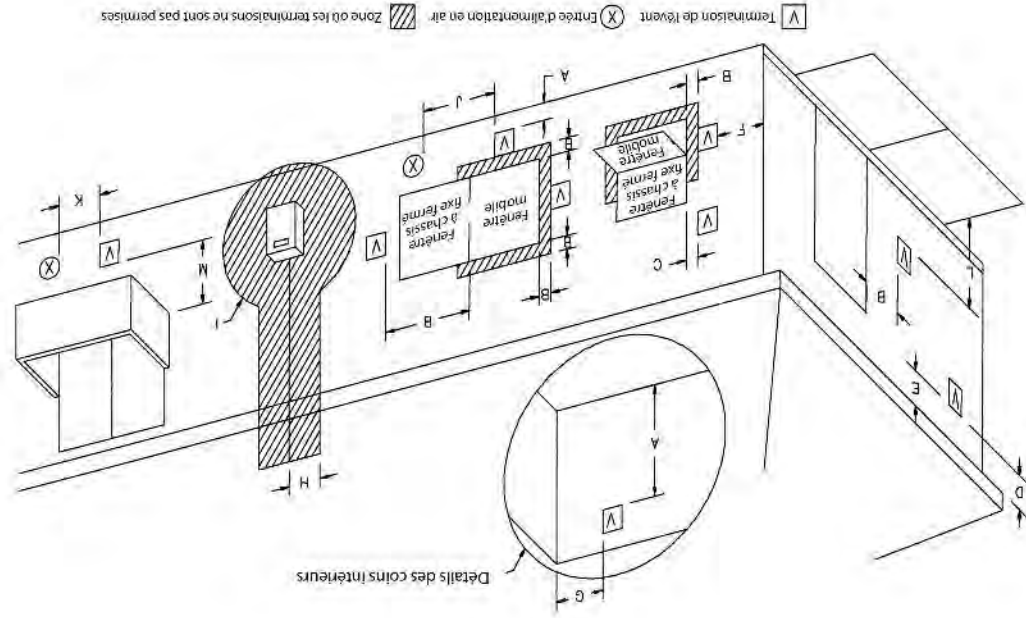


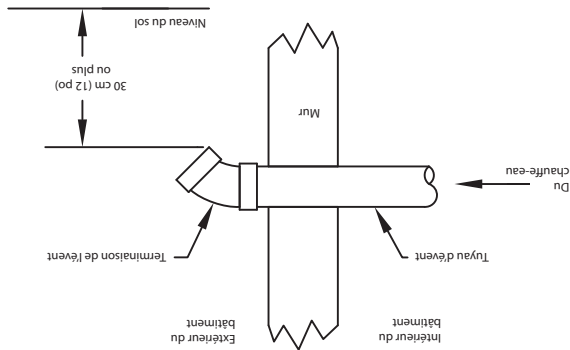
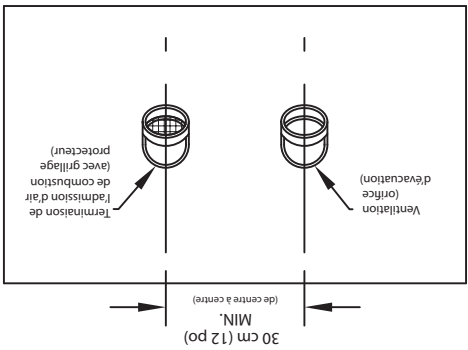
Figure 5 : Dégagements aux terminaisons

VENTILATION ET ADMISSION D'AIR DE COMBUSTION (suite)

Faites passer les tuyaux dans le mur tel qu'illustré à la figure 3. Une longueur adéquate de tuyau doit faire saillie du côté extérieur pour y fixer le raccord de terminaison. Un jeu de 2,5 cm (1 po) entre le raccord d'extrémité et le mur extérieur est recommandé. Les directives de fixation des raccords (par exemple le raccord de terminaison au tuyau droit) figurent à la page 24. Deux coudes de 45° sont fournis à titre de raccords de terminaison avec le chauffe-eau. Si d'autres raccords sont requis (p. ex. des coudes de 90°), ils doivent être achetés séparément. Installez un grillage à l'intérieur du raccord d'extrémité du conduit d'admission d'air pour empêcher l'infiltration de corps étrangers dans le système. Terminez l'installation du reste du système de ventilation et d'admission d'air, et raccordez-le au chauffe-eau comme l'illustre la figure 4. Il est recommandé que les sections horizontales de tuyauterie présentent une pente descendante s'éloignant du chauffe-eau à un minimum de 3,2 mm par 30 cm (1/8 po par pied) pour empêcher les produits de condensation de s'écouler vers le chauffe-eau.

Les espaces en forme d'anneau autour des orifices des tuyaux d'évent doivent être scellés de façon permanente au moyen des matériaux approuvés pour prévenir l'infiltration de produits de la combustion dans le bâtiment.

▲ MISE EN GARDE



Coupe transversale du mur

MISE EN GARDE : N'INSTALLEZ JAMAIS LA PRISE D'AIR AU-DESSUS DE LA TERMINAISON DE VENTILATION (ÉVACUATION).

Figure 3 : Ventilation horizontale, terminaison à deux tuyaux

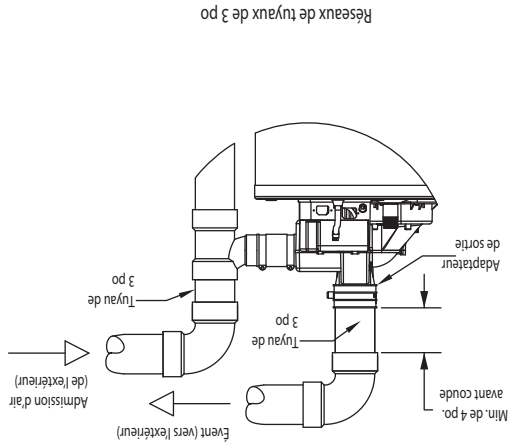
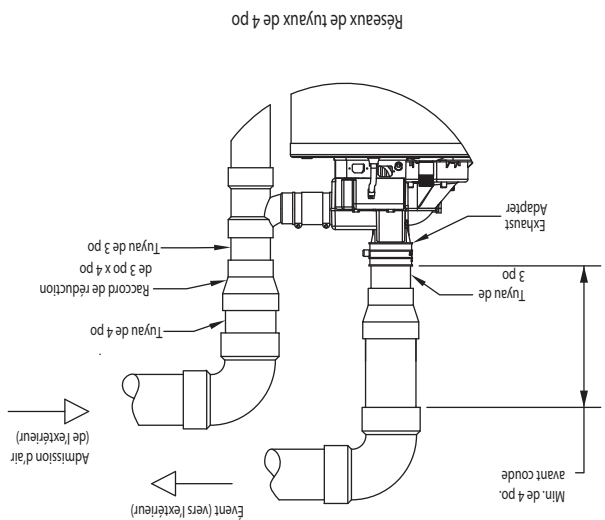


Figure 4 : connexions horizontales à ventilation directe vers le chauffe-eau

PARTIE IV : INSTALLATION (suite)

VENTILATION ET ENTRÉE D'AIR DE COMBUSTION (suite)

Tableau 8 : Dégagements aux terminaisons d'un système à ventilation directe

Installations au Canada ¹	Installations aux F-U ²	A = Dégagement au-dessus du sol, d'une veranda, d'un porche, d'une terrasse en bois ou d'un balcon	30 cm (12 po)	30 cm (12 po)
		B = Dégagement pour une fenêtre ou une porte qui s'ouvrent	30 cm (12 po)	30 cm (12 po)
		C = Dégagement pour une fenêtre fermée en permanence	*	*
		D = Dégagement pour un orifice de ventilation situé au-dessus de la terminaison, la ligne d'axe de la terminaison à 61 cm ou moins sur le plan horizontal de	*	*
		E = Dégagement pour un orifice d'avant-toit non ventilé	*	*
		F = Dégagement pour le coin extérieur	*	*
		G = Dégagement pour le coin intérieur	*	*
		H = Dégagement de part et d'autre de la ligne d'axe prolongée au-dessus du groupe compteur/régulateur	91 cm (3 pi) sur une hauteur de 4,57 m (15 pi) au-dessus du groupe compteur/régulateur	*
		I = Dégagement autour de l'orifice d'évacuation du régulateur d'alimentation en gaz	91 cm (3 pi)	*
		J = Dégagement pour une admission non mécanique d'air au bâtiment ou l'admission d'air de combustion de tout autre appareil	30 cm (12 po)	30 cm (12 po)
		K = Dégagement pour une admission mécanique d'air	1,83 m (6 pi)	91 cm (3 pi) au-dessus si à moins de 3 m (10 pi) sur le plan horizontal
		L = Dégagement au-dessus d'un trottoir asphalté ou d'une entrée de cour pavée située sur une propriété publique	2,13 m (7 pi)†	*
		M = Dégagement au-dessus d'une veranda, d'un porche, d'une terrasse en bois ou d'un balcon	30 cm (12 po) ‡	*

¹ Conforme au Code CSA B149.1 actuel sur l'installation de systèmes au gaz naturel et au propane

² Conforme à la norme ANSI Z223.1 et au *National Fuel Gas Code*, le NFPA 54.

† Un évent ne doit en aucun cas aboutir directement au-dessus d'un trottoir ou d'une entrée de cour pavée située entre deux habitations unitaires si cette entrée de cour est commune aux deux habitations.

‡ Autorisé seulement si la veranda, le porche, la terrasse en bois ou le balcon est complètement ouvert sur au moins deux côtés sous le plancher

* Les dégagements sont conformes aux codes locaux du bâtiment et aux exigences du fournisseur de gaz.

Outre les dégagements précisés, les éléments suivants devront être pris en compte lors de l'installation:
 • N'amenagez pas les terminaisons à proximité de dispositifs de ventilation, de galeries techniques, ou de toute autre zone où les produits de la condensation ou la vapeur peuvent créer un risque pour la santé ou causer des dommages matériels.
 • N'amenagez pas la terminaison de ventilation là où des produits de condensation ou de la vapeur pourraient endommager des régulateurs, des valves de surpression ou d'autre équipement, ou encore nuire à leur fonctionnement.
 • N'amenagez pas la terminaison de ventilation au-dessus des aires publiques ou des trottoirs, là ou des produits de la condensation ou des vapeurs peuvent constituer un facteur nuisible ou poser un risque.

• N'amenagez pas la terminaison de ventilation à proximité de plantes ou de buissons.
 • Les tuyaux de ventilation et d'entrée d'air doivent aboutir à un minimum de 30 cm (12 po) au-dessus du niveau de neige prévu afin de prévenir les obstructions.

▲ MISE EN GARDE

N'installez jamais la terminaison d'admission d'air au-dessus de l'orifice de sortie de l'air.

VENTILATION ET ENTRÉE D'AIR DE COMBUSTION (suite)

Les systèmes de ventilation et d'admission (entrée) d'air de combustion doivent être suffisamment supportés le long de leurs sections verticales et horizontales. À tout le moins, un support devrait être posé tous les 1,22 m (4 pi) le long de la tuyauterie de ventilation ou d'admission. Dans le cas des systèmes horizontaux, le premier support doit être immédiatement adjacent au premier coude de 90 degrés venant après la section verticale raccordée au chauffe-eau. La méthode de support devrait agir de telle sorte qu'elle isole les tuyaux de ventilation et d'admission d'un des solives de plancher ou d'autres éléments de charpente afin de réduire la transmission du bruit et des vibrations.

REMARQUE : Ne soutenez, ne raccordez ou ne fixez pas les tuyaux de ventilation et d'admission de manière à restreindre l'expansion thermique normale et la contraction du matériel de ventilation.

Lors de l'installation de chauffe-eau de remplacement, inspectez en détail les systèmes de ventilation et d'entrée d'air de combustion avant d'installer le nouveau chauffe-eau. Les étapes suivantes devraient être suivies afin de bien inspecter le système de ventilation existant :

- Assurez-vous que les matériaux précisés aux présentes ont été utilisés.
- Vérifiez si les longueurs équivalentes maximales et minimales des tuyaux de ventilation et d'entrée d'air de combustion ainsi que les dégagements aux extrémités satisfont aux spécifications figurant aux présentes.
- Inspectez les systèmes de ventilation et d'admission d'air de combustion pour voir s'ils sont fissurés. Portez une attention spéciale aux joints entre les coudes et les tuyaux droits.
- Inspectez le système pour vous assurer que tous ses composants sont bien alignés. Un mauvais alignement peut provoquer le fléchissement des joints et soumettre ces derniers à des tensions non désirées.

Si des corrections sont requises, elles doivent être calculées avant d'installer le chauffe-eau de remplacement.

Ventilation horizontale, directe, terminaison à deux tuyaux

Ce chauffe-eau peut être ventilé horizontalement (par un mur latéral) grâce à une terminaison à deux tuyaux. Deux orifices aménagés dans un mur extérieur sont requis pour poser les tuyaux de ventilation et d'admission d'air de combustion. Les minimums de dégagement entre les deux terminaisons doivent être respectés, ainsi qu'il est précisé à la figure 3. Tous les dégagements doivent être conformes aux codes locaux ou aux plus récentes éditions des normes NFPA 54/ANSI Z223.1 ou CSA B149. Consultez la figure 2 et le tableau 8 pour les dégagements aux terminaisons.

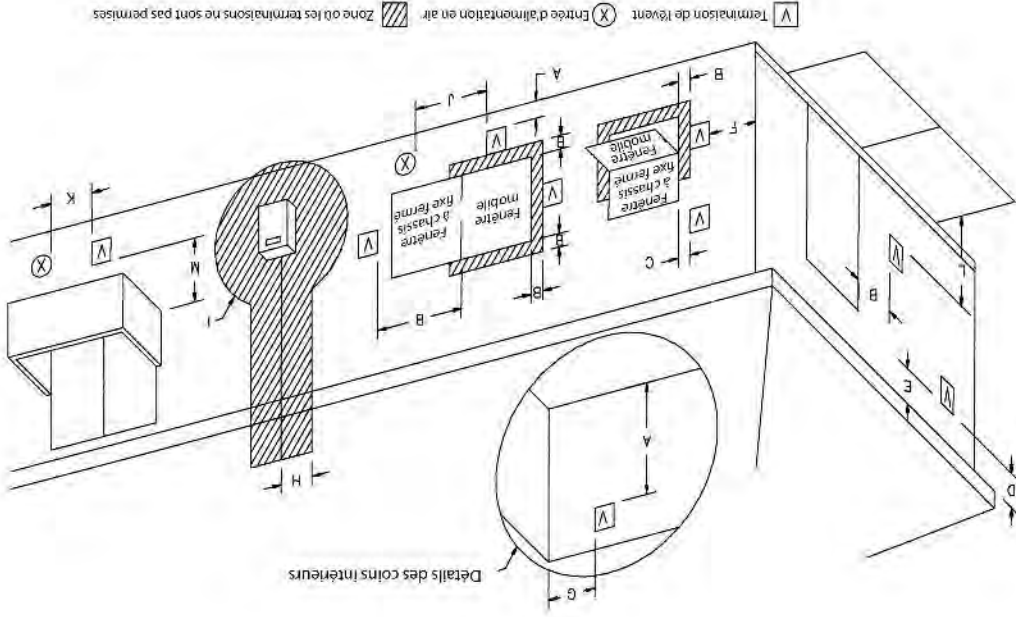


Figure 2 : Dégagements aux terminaisons

PARTIE IV : INSTALLATION (suite)

VENTILATION ET ENTRÉE D'AIR DE COMBUSTION (suite)

Les tableaux 6 et 7, offerts à titre d'aide-mémoire, fournissent les maximums de longueur permise de tuyau droit selon le nombre total de coudes utilisés dans la canalisation.

Tableau 6 : Aide-mémoire des longueurs maximales de tuyau (terminaison à deux tuyaux)

Modèle(s)	Tuyau Ø (po)	# de coudes de 90° par canalisation (y compris les raccords d'extrémité)	Longueur équivalente maximale du tuyau (par canalisation)	
			Entrée d'air pi (m)	Ventilation pi (m)
EZ 100-76PDV, EZ 75-76PDV	3	0	16,76 (55)	16,76 (55)
	3	1	15,24 (50)	15,24 (50)
	3	2	13,72 (45)	13,72 (45)
	3	3	12,19 (40)	12,19 (40)
	3	4	10,67 (35)	10,67 (35)
	3	5	9,14 (30)	9,14 (30)
	3	6	7,62 (25)	7,62 (25)
	4	0	25,91 (85)	25,91 (85)
	4	1	24,38 (80)	24,38 (80)
	4	2	22,86 (75)	22,86 (75)
	4	3	21,34 (70)	21,34 (70)
	4	4	19,81 (65)	19,81 (65)
	4	5	18,29 (60)	18,29 (60)
	4	6	16,76 (55)	16,76 (55)

Tableau 7 : Aide-mémoire des longueurs maximales de tuyau (terminaison concentrique)

Modèle(s)	Tuyau Ø (po)	# de coudes de 90° par canalisation (y compris les raccords d'extrémité)	Longueur équivalente maximale du tuyau (par canalisation)	
			Entrée d'air pi (m)	Ventilation pi (m)
EZ 100-76PDV, EZ 75-76PDV	3	0	13,72 (45)	13,72 (45)
	3	1	12,19 (40)	12,19 (40)
	3	2	10,67 (35)	10,67 (35)
	3	3	9,14 (30)	9,14 (30)
	3	4	7,62 (25)	7,62 (25)
	3	5	6,10 (20)	6,10 (20)
	3	6	4,57 (15)	4,57 (15)
	4	0	22,86 (75)	22,86 (75)
	4	1	21,34 (70)	21,34 (70)
	4	2	19,81 (65)	19,81 (65)
	4	3	18,29 (60)	18,29 (60)
	4	4	16,76 (55)	16,76 (55)
	4	5	15,24 (50)	15,24 (50)
	4	6	13,72 (45)	13,72 (45)

AVIS

Au Canada, les installations doivent être conformes aux exigences du Code CSA-B149. Les systèmes d'évent en plastique doivent être assemblés au moyen de tuyaux, de raccords, de colles et d'appâts catalogués par la norme UL-C-5636. Les composants de ce répertoire ne doivent en aucun temps être remplacés par d'autres systèmes d'évent ou des tuyaux et des raccords non répertoriés. Au Canada, l'appât et la colle doivent provenir du même fabricant que le système de ventilation. N'utilisez jamais les appâts et les colles d'un fabricant sur un système de ventilation provenant d'un autre fabricant. Les tuyaux et les raccords de plastique fournis sont homologués en tant que composants du chauffe-eau.

Longueurs minimales et maximales du système

Le chauffe-eau devrait être situé de sorte que les longueurs des tuyaux de ventilation en plastique et le nombre de raccords de tuyauterie soient réduits au minimum. Les équivalents de longueurs minimales et maximales de tuyauterie des systèmes de ventilation d'air sont fournis aux tableaux 4 et 5. Des tuyaux de plastique de 7,5 ou 10 cm (3 ou 4 po) peuvent être utilisés. Le chauffe-eau est livré avec des raccords qui s'adaptent facilement à des tuyaux de plastique de 7,5 cm. N'UTILISEZ PAS des tuyaux de moins de 7,5 cm de diamètre OU de tuyaux de diamètres inégaux, sauf ainsi qu'il est illustré pour passer d'un diamètre de 7,5 à 10 cm au point de raccordement du chauffe-eau.

REMARQUE : La longueur équivalente du tuyau droit pour un coude standard de 90 ° et ¼ de po, et pour un coude standard de 45 ° et 1/8 de po est de 1,52 m (5 pi) et de 76,2 cm (2,5 pi) respectivement. La sortie d'évacuation concentrique est équivalente à 3,04 m (10 pi) de tuyau droit. N'UTILISEZ PAS de coudes à petit angle.

REMARQUE : Les coudes employés comme raccords d'extrémité doivent être pris en compte pour déterminer le nombre total de coudes.

Tableau 4 : Longueurs minimales et maximales des tuyaux de ventilation et d'admission (terminaisons à deux tuyaux)

Modèle(s)	Tuyau Ø (po)	Longueur équivalente minimale du tuyau (par canalisation)		Longueur équivalente maximale du tuyau (par canalisation)	
		Entrée d'air m (pi)	Ventilation m (pi)	Entrée d'air m (pi)	Ventilation m (pi)
EZ 75-76PDV, EZ 100-76PDV	3	1,52 (5)	3,66 (12)	16,76 (55)	25,91 (85)
	4	1,52 (5)	3,66 (12)	25,91 (85)	25,91 (85)

Tableau 5 : Longueurs minimales et maximales des tuyaux de ventilation et d'admission (terminaisons concentrique)

Modèle(s)	Tuyau Ø (po)	Longueur équivalente minimale du tuyau (par canalisation)		Longueur équivalente maximale du tuyau (par canalisation)	
		Entrée d'air m (pi)	Ventilation m (pi)	Entrée d'air m (pi)	Ventilation m (pi)
EZ 75-76PDV, EZ 100-76PDV	3	1,52 (5)	3,66 (12)	13,72 (45)	22,86 (75)
	4	1,52 (5)	3,66 (12)	22,86 (75)	22,86 (75)

PARTIE IV : INSTALLATION

VENTILATION ET ENTRÉE D'AIR DE COMBUSTION



Le fait de ne pas installer correctement les systèmes de ventilation et d'admission d'air de combustion ainsi que le décrit le présent manuel peut se solder par une utilisation non sécuritaire du chauffe-eau. Pour éviter les risques d'incendie, d'explosion ou d'asphyxie au monoxyde de carbone, ne faites jamais fonctionner ce chauffe-eau d'admission d'air de combustion. Assurez-vous d'inspecter le système pour vérifier s'il est correctement installé avant la mise en marche initiale, puis une fois par année subséquemment. Consultez la partie sur l'Entretien pour en savoir plus.

L'évent et l'admission (entrée) d'air de combustion du chauffe-eau peuvent être installés en tant que système de ventilation directe à air pulsé (l'air de combustion provient de l'extérieur du bâtiment) ou système de ventilation à air pulsé (l'air de combustion est admis de l'intérieur du bâtiment). Les configurations verticales ou horizontales (fixées à un mur latéral) peuvent être accompagnées d'une terminaison à deux tuyaux ou concentrique.

Remarque : Si c'est l'air de l'extérieur qui sera utilisé comme air de combustion, les exigences relatives aux espaces clos de la partie III doivent être respectées.

Le chauffe-eau vous est livré avec un raccord en caoutchouc (avec pinces) qui se pose à l'orifice de sortie du ventilateur de soufflage. La tuyauterie d'admission d'air est préassemblée de façon à acheminer l'air d'appoint au ventilateur de soufflage et l'air de combustion à la chambre de brûleur. Toutes les mesures de longueur des événements précises dans le présent manuel s'ajoutent à la tuyauterie préassemblée fournie avec le chauffe-eau. Les longueurs de tuyauterie équivalentes ne doivent pas excéder les longueurs maximales (ou être inférieures aux minimums) fournies aux tableaux 4 et 5.

Remarque : NE RACCORDEZ PAS le chauffe-eau à un évent ou une cheminée déjà en place. Il doit être muni de son propre dispositif de ventilation.

Les matériaux suivants ont été approuvés pour être utilisés dans la tuyauterie de ventilation et d'admission d'air :

- PVC (DWV, ASTM-D2665 ou CSA B181.2)
- PVC (catégorie 40, ASTM-D1785 ou CSA B137.3)
- PVC (série SDR, ASTM-D2241 ou CSA B137.3)
- CPVC (catégorie 40, ASTM-F441 ou CSA B137.3)
- CPVC (série SDR, ASTM-F442)
- Plastique ABS (catégorie 40, DWV, ASTM-D2661 ou CSA B181.1)

Au Canada, vérifiez les codes locaux pour vous assurer que l'utilisation de la série SDR a été approuvée. Le SDR n'est pas approuvé pour toutes les installations au Canada.

Les matériaux suivants ont été approuvés pour être utilisés dans les raccords des systèmes de ventilation et d'admission d'air :

- PVC (catégorie 40 DWV, ASTM D2665)
- CPVC (catégorie 40, ASTM F438)
- ABS (catégorie 40 DWV, ASTM D2661)

Veuillez communiquer avec les Bock Water Heaters pour toute question relative à des matériaux qui ne sont pas énumérés précédemment.

PARTIE III : AVANT L'INSTALLATION (suite)

ESPACES NON-CLOS

La norme NFPA 54 définit les espaces non clos en termes d'espaces d'un volume supérieur à 50 pi. cu. (en usage normal) par 1000 Btu/h du débit calorifique total combiné de tous les appareils à combustible présents dans l'espace. Les pièces communiquant directement avec l'espace d'installation par des portes qui ne se ferment pas peuvent être réputées faire partie de cet espace. **Cas d'exception :** Les bâtiments munis de pare-vapeur complets, de portes et de fenêtres étanches, ou dont le taux d'infiltration d'air est inférieur à 0,35 renouvellement par heure seront réputés être des espaces clos et nécessiteront une ou des admissions d'air additionnelles.

ESPACES CLOS

La norme NFPA 54 définit les espaces clos en termes d'espaces d'un volume inférieur à 50 pi. cu. (en usage normal) par 1000 Btu/h du débit calorifique combiné de tous les appareils à combustible présents dans l'espace. Les bâtiments ou les pièces exceptionnellement étanches sont aussi réputés être des espaces clos. Consultez la partie « **Espaces non clos : cas d'exception** ».

Lorsque vous installez des appareils à combustible dans un espace clos, l'alimentation en air des lieux doit provenir soit de l'intérieur, soit de l'extérieur du bâtiment, ainsi que les conditions le permettent.

A. Alimentation en air de l'intérieur : Un espace clos doit être pourvu de deux ouvertures : l'une à moins de 30 cm (12 po) du plafond, l'autre à moins de 30 cm du plancher de l'enclave. Ces ouvertures doivent communiquer directement avec une (des) pièce(s) au volume suffisant, de sorte que le volume combiné de tous les espaces communiquant entre eux satisfasse aux exigences relatives aux espaces non clos. Chaque ouverture doit avoir une zone libre minimale d'un pouce carré par 1000 Btu/h du débit calorifique total de tous les appareils à combustible présents dans l'espace. Chaque ouverture doit couvrir au moins 100 pouces carrés ou avoir une dimension minimale de 3 pouces.

B. Alimentation en air de l'extérieur : Un espace clos doit être pourvu de deux ouvertures : l'une à moins de 30 cm (12 po) du plafond, l'autre à moins de 30 cm du plancher de l'enclave. Ces ouvertures doivent communiquer directement (ou par des conduits) avec l'extérieur ou avec les espaces qui communiquent avec l'extérieur.

1.) Communiquant directement (ou par des conduites verticales) avec l'extérieur : Chaque ouverture doit avoir une zone libre minimale d'un pouce carré par 4 000 Btu/h du débit calorifique total de tous les appareils à combustible présents dans l'espace.

2.) Communiquant directement (ou par des conduites horizontales) avec l'extérieur : Chaque ouverture doit avoir une zone libre minimale d'un pouce carré par 2000 Btu/h du débit calorifique total de tous les appareils à combustible présents dans l'espace. **Remarque :** La superficie de section transversale de toutes les conduites devra être identique à la zone libre de chaque ouverture par où elles passent. Toutes les conduites devront être d'une dimension minimale de trois pouces (7,5 cm). Les admissions d'air de combustion motorisées sont aussi distribuées sur le marché et peuvent être utilisées.

LOUVRES ET GRILLES D'AÉRATION

Lorsque vous calculez la superficie libre d'une ouverture, il importe de tenir compte des effets de blocage des louveres ou des grilles d'aération qui protègent l'ouverture. Les mailles de tous les grillages utilisés ne doivent pas être espacées de moins de 1/4 de po (6,35 mm). Si la superficie libre d'un louvre ou d'une grille d'aération est connue, il conviendrait de se servir de cette mesure pour calculer les dimensions de l'ouverture requise. Si la superficie libre est inconnue, on pourrait supposer que les louveres de bois disposent d'une superficie libre de 20 à 25 %, et que les louveres et les grilles de métal disposeront d'une superficie libre de 60 à 75 %. Les louveres et les grilles doivent être posés en position ouverte ou asservis à l'équipement, de sorte qu'ils s'ouvrent automatiquement pendant le fonctionnement de l'équipement.

PARTIE III : AVANT L'INSTALLATION (suite)

Ne déposez pas le chauffe-eau sur le côté. Déplacez le chauffe-eau en le glissant ou en utilisant un chariot à main de format approprié.

▲ MISE EN GARDE

Si le chauffe-eau est installé directement sur la moquette, il doit être placé sur un panneau de métal ou en bois dépassant d'au moins 7,62 cm (3 po) le plein diamètre du chauffe-eau de chaque côté. Si vous comptez installer le chauffe-eau dans une alcôve ou une armoire, recouvrez le plancher tout entier à l'aide du panneau. Le panneau doit être assez solide pour soutenir le poids du chauffe-eau lorsque ce dernier est rempli d'eau.

REMARQUE : Placez le chauffe-eau de sorte qu'il ne soit pas exposé aux dommages matériels dus aux véhicules en mouvement ou aux inondations. Ne placez pas le chauffe-eau dans une pièce ou des produits chimiques pour piscine ou d'importantes quantités de sel adoucisseur d'eau sont stockés. L'installation d'un chauffe-eau dans un tel endroit provoquera la défaillance prématurée du réservoir et des composants du brûleur en raison de la rouille causée par la diffusion de ces éléments dans l'air.

Le chauffe-eau peut être installé sur un plancher combustible ou non combustible. Laissez les dégagements précisés aux présentes et conformes au *National Fuel Gas Code* (NFPA 54, ANSI Z223.1), à moins d'indication contraire des exigences des codes étatiques (provinciaux) et locaux. Situez le chauffe-eau de manière à minimiser les longueurs de tuyaux de ventilation en plastique et le nombre de raccords de tuyauterie.

Les dégagements minimaux entre l'appareil et les matériaux combustibles sont :

Tableau 3 : Dégagements

CÔTES	ARRIÈRE ¹	DEVANT ²	DESSUS ³
0 cm (0 po)	15 cm (6 po)	61 cm (24 po)	66 cm (26 po)

1) Mesures de l'enveloppe du chauffe-eau jusqu'au mur. Ce dégagement permet l'installation du coude d'admission d'air.

2) Mesures de l'enveloppe jusqu'à la porte de l'armoire.

3) Mesures du dessus du chauffe-eau jusqu'au plafond.

Ce chauffe-eau a reçu l'approbation pour être installé dans une armoire ou une alcôve avec les dégagements mentionnés précédemment.

AIR DE COMBUSTION ET DE VENTILATION

Ce chauffe-eau peut être installé pour utiliser un air de combustion provenant soit de l'intérieur, soit de l'extérieur du bâtiment. Consultez le chapitre IV : « Installation » pour connaître les spécifications détaillées concernant l'évacuation de l'air. Si l'air de l'extérieur est utilisé en tant qu'air de combustion, il est impératif de munir la pièce d'une alimentation adéquate en air. Une alimentation en air inadéquate peut hausser le taux de monoxyde de carbone à un niveau non sécuritaire, entraîner la condensation des gaz de combustion ou une accumulation de suie excessive. Consultez la norme NFPA 54 ou les discussions qui suivent au sujet des « espaces non clos » et des « espaces clos ». En outre, une mauvaise aération provoquera l'apparition de points chauds autour du chauffe-eau. Des températures supérieures à 32 °C (90 °F) dans les environs du chauffe-eau dénotent généralement un manque d'aération.

PARTIE II : GÉNÉRALITÉS (suite)

DISPOSITIF ANTI-REFOULEMENT (SYSTÈME FERMÉ)

Certains codes et ordonnances municipaux exigent l'emploi de dispositifs anti-refoulement sur les conduites d'eau potable (domestiques). Là où des dispositifs anti-refoulement, des clapets de non-retour ou des régulateurs de pression sont requis, il vous faudra installer un **réservoir à dilatation thermique** (conçu pour l'eau potable) afin de prévenir l'accumulation de pression dans le chauffe-eau et la tuyauterie qui s'y rattache, ce qui pourrait provoquer la décharge de la soupape de décharge et de sécurité thermique. Suivez les recommandations du fabricant du réservoir à dilatation lors de la sélection d'un réservoir pour votre installation d'alimentation en eau chaude. La pression du réservoir à dilatation doit être égale à celle de l'installation d'alimentation en eau chaude avant le réchauffement initial.

Remarque : La pression de fonctionnement du chauffe-eau est de 10,34 kPa (150 PSI). Ne dépassez jamais 10,34 kPa.

CONDENSATION

Dans certaines installations, de la condensation se formera dans le système d'évent (évacuation). Il importe d'éviter l'accumulation de condensation autour des organes mécaniques et des pièces de métal nues du chauffe-eau. Pour cette raison, toute condensation qui se forme dans le système d'évent doit être acheminée au bon endroit pour être évacuée. Les sections horizontales du système d'évacuation doivent présenter une pente qui s'éloigne du chauffe-eau à une inclinaison minimale de 3,2 mm (1/8 po) par 30 cm (1 pi). Lorsqu'il est impossible d'orienter la pente du système d'évent vers le bas ou que le système d'évent est disposé à la verticale, il est impératif d'installer la trousse d'évacuation des produits de condensation. Consultez le chapitre IV : « Installation – Event et admission d'air de combustion / Trousse d'évacuation de la condensation », pour connaître les détails concernant l'installation.

HAUTE ALTITUDE

Communiquez avec Bock Water Heaters dans le cas des installations à une altitude supérieure à 610 mètres (2 000 pi) au-dessus du niveau de la mer.

PARTIE III : AVANT L'INSTALLATION

EMPLACEMENT

▲ MISE EN GARDE

Ce chauffe-eau doit être placé dans un endroit où les fuites du réservoir, des raccords des conduites d'eau ou de la soupape de décharge et de sécurité thermique ne causeront pas de dommages aux zones adjacentes ou au chauffe-eau ou aux planchers inférieurs de la structure. Lorsqu'il est impossible d'éviter de tels emplacements, un bac de vidange convenable doit être glissé sous le chauffe-eau. Le bac de vidange doit convenir à l'évacuation et à la collecte de l'eau. Ce bac peut être acheté chez votre professionnel de la plomberie. Il doit être raccordé à un drain adéquat, et tous les tuyaux d'évacuation doivent avoir un diamètre d'au moins 1,9 cm (0,75 po) et présenter une inclinaison convenant au drainage.

▲ MISE EN GARDE

N'entrez PAS d'essence ou autres vapeurs et (ou) liquides inflammables, combustibles ou corrosifs à proximité de ce chauffe-eau ou de tout autre appareil électroménager.

SI VOUS SENTEZ UNE ODEUR DE GAZ :

- N'essayez de mettre en marche AUCUN appareil.
 - NE touchez à AUCUN interrupteur électrique; n'utilisez aucun téléphone dans votre immeuble.
 - Téléphonez immédiatement à votre fournisseur de gaz à partir du téléphone d'un voisin. Suivez les consignes du fournisseur de gaz.
 - Si vous ne pouvez joindre votre fournisseur de gaz, appelez le service d'incendie.
- NE FAITES PLUS FONCTIONNER L'APPAREIL JUSQU'À CE QUE LA FUITE AIT ÉTÉ ORTURÉE!

La soupape de décharge et de sécurité thermique est installée en usine. Un tuyau d'évacuation doit être posé (l'installateur en est responsable) et son embout doit être uni et non fileté. Il doit être en outre installé à 15 cm (6 po) au-dessus du drain de plancher. Le tuyau de drainage doit être fait d'un matériau approuvé pour des températures égales ou supérieures à 49 °C (120 °F) et une pression égale ou supérieure à 150 PSI (10,34 kPa).

▲ MISE EN GARDE

Des blessures par ébouillantage et (ou) des dommages causés par l'eau peuvent survenir lorsque le levier est ouvert à la main ou lors du fonctionnement normal de la soupape de décharge et de sécurité thermique si celle-ci n'est pas raccordée à un tuyau d'évacuation. Si la soupape ne laisse pas couler d'eau ou ne se referme pas, appelez un plombier.

▲ MISE EN GARDE

Pour réduire les risques de surpressions et de température excessive dans ce chauffe-eau, installez l'appareillage de protection contre les surpressions et les températures excessives requis par les codes locaux, et que rien de moins qu'une soupape de décharge et de sécurité thermique homologuée par un laboratoire d'essai reconnu nationalement qui effectue l'inspection périodique de la production de l'équipement ou des matériaux catalogués pour vérifier leur conformité vis-à-vis la norme ANSI Z21.22 relative aux Soupapes de décharge et aux dispositifs de coupure automatique des gaz des installations d'alimentation en eau chaude. Cette soupape doit indiquer le réglage maximal de pression qui n'exécède pas la pression d'utilisation maximale du chauffe-eau. Installez la soupape dans la cavité marquée à cet effet du chauffe-eau, et orientez-la ou raccordez-y des tuyaux, de telle sorte que toute décharge de la soupape ne soit évacuée qu'à un maximum de six pouces du plancher porteur et n'entre pas en contact avec quelque pièce électrique sous tension que ce soit. En aucune circonstance la cavité de décharge ne doit être obstruée ou réduite en taille.

SOUPAPE DE DÉCHARGE ET DE SÉCURITÉ THERMIQUE

▲ MISE EN GARDE

Une installation d'alimentation en eau chaude desservie par un chauffe-eau qui est demeuré inutilisé pour une longue période (deux semaines ou plus) dégage de l'hydrogène. L'hydrogène est un gaz extrêmement inflammable. Pour réduire les risques de blessures dans un tel contexte, il est recommandé d'ouvrir le robinet d'eau chaude de cuisine et de laisser l'eau couler pendant plusieurs minutes avant d'utiliser tout appareil électrique raccordé à l'installation d'alimentation en eau chaude. En présence d'hydrogène, vous entendrez probablement un son inhabituel, comme de l'eau s'échappant d'un tuyau, lorsque l'eau commencera à couler. Vous ne devriez pas fumer ou allumer une flamme nue à proximité du robinet pendant qu'il est ouvert.

La tige d'anode est utilisée comme élément sacrificiel à l'intérieur du réservoir de stockage. La tige d'anode de magnésium a pour but de protéger l'intérieur du réservoir contre la rouille. La tige d'anode devrait être inspectée deux fois la première année et au moins une fois par an une fois l'intervalle d'inspection déterminé. Les conditions de l'eau peuvent influencer sur le taux de consommation des tiges d'anode. Veuillez consulter le chapitre « Entretien » du présent manuel pour savoir comment remplacer les tiges d'anode.

TIGES D'ANODE

PARTIE II : GÉNÉRALITÉS (suite)

PARTIE II : GÉNÉRALITÉS

À LA RÉCEPTION DE VOTRE NOUVEAU CHAUFFE-EAU

Inspectez le nouvel équipement pour vérifier si tous ses composants sont en bon état. Si des dommages sont constatés, ou si des pièces semblent manquantes, communiquez avec votre détaillant

TRAITEMENT/FILTRATION DE L'EAU

Dans les zones où vous soupçonnez une eau de qualité médiocre (c.-à-d. contenant de la chaux, du fer et autres minéraux), il est essentiel de vérifier la qualité de l'eau et de prendre les mesures qui s'imposent pour prévenir les dommages au chauffe-eau et veiller à la qualité de l'eau.

CONTRÔLE DE LA TEMPÉRATURE

Le chauffe-eau combine robinet de gaz, contrôleur d'allumage et thermostat. Dans le cas de l'eau chaude domestique, le réglage correct de température de l'eau est de 49 °C (120 °F) (le réglage « WARM » des commandes). S'il s'agit d'une utilisation commerciale, le réglage correct de température de l'eau est de 82 °C (180 °F) (le réglage « F » des commandes).

Une commande intégrée et à réencenchement automatique de coupure de l'alimentation (ECO, pour Energy Cut-Off) est de série sur tous les modèles. En cas de température de l'eau excessive (plus de 91 °C, ou 195 °F), l'ECO coupe toute l'alimentation en gaz au chauffe-eau. Si l'interrupteur ECO se déclenche, il se réencenche automatiquement (se referme) lorsque la température de l'eau redescend sous les 49 °C (120 °F). Le thermostat du chauffe-eau se réinitialisera automatiquement au bout d'une période de trois minutes une fois l'interrupteur ECO réencenché.

Le thermostat est réglé en usine à 49 °C (120 °F). Consultez la figure 21 pour voir les réglages de température et d'affichage. Si vous avez besoin d'une eau plus chaude, un dispositif de température ou mitigeur doit être installé à la sortie d'eau chaude domestique du chauffe-eau ou au point d'utilisation. Le tableau 3 décrit en détail la relation approximative entre la température de l'eau et le temps d'exposition relativement aux blessures par ébulliantage. Il importe que l'utilisateur prenne conscience de la nécessité des dispositifs de température ou mitigeurs s'il utilise une eau plus chaude dans un réseau domestique de chauffage de l'eau.

▲ MISE EN GARDE: Une eau à plus de 49 °C (120 °F) peut provoquer un ébulliantage!

Bock recommande qu'un dispositif de température ou de mitigeage soit installé et utilisé conformément aux directives du fabricant afin de prévenir les ébulliantages. De nombreux codes locaux ou provinciaux exigent maintenant l'installation de tels dispositifs. La température au point d'utilisation peut être plus chaude que ce qu'indique le réglage du thermostat du chauffe-eau. La vanne de température ou de mitigeage veillera à ce que la température de l'eau potable demeure à la valeur désirée avec une plus grande précision.

Tableau 2 : Liens entre la température de l'eau et la durée d'exposition relativement aux ébulliantages

LIEN APPROXIMATIF TEMPÉRATURE/DURÉE D'EXPOSITION VIS-À-VIS DES ÉBULLIANTAGES	
49 °C (120 °F)	Plus de 5 minutes
52 °C (125 °F)	1 minute ½ à 2 minutes
54 °C (130 °F)	Env. 30 secondes
57 °C (135 °F)	Env. 10 secondes
60 °C (140 °F)	Moins de 5 secondes
63 °C (145 °F)	Moins de 3 secondes
66 °C (150 °F)	Env. 1 seconde et ½
68 °C (155 °F)	Env. 1 seconde



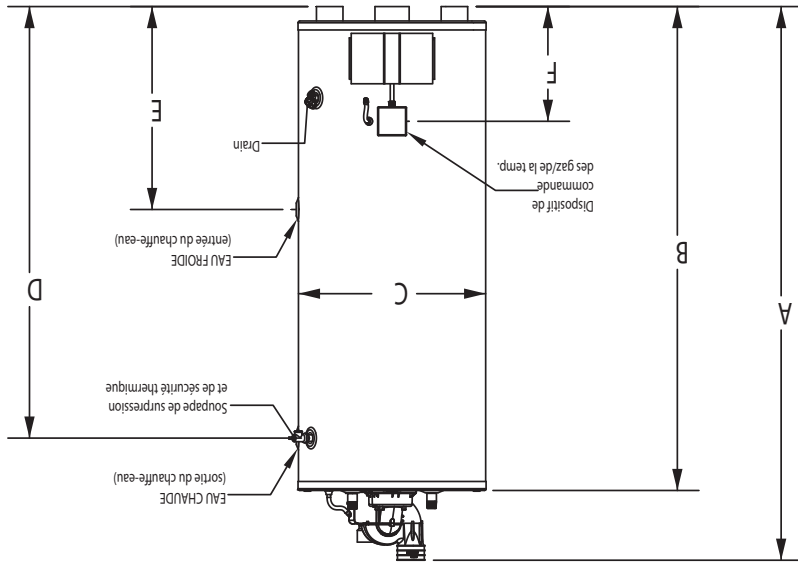
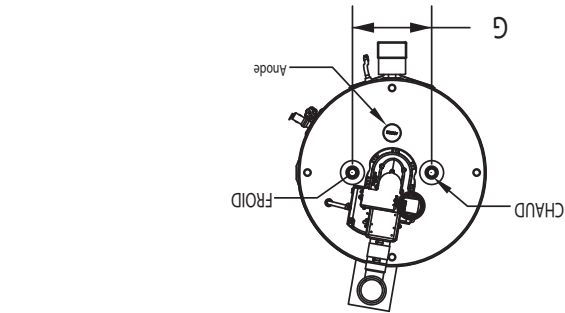


Figure 1 : Tous les modèles

Tableau 1 : Dimensions

Modèle	EZ 75-76PDVN		EZ 100-76PDVN	
	Capacité, en GAL (l)	Entrée nominale Btu/h (en kW)	Capacité, en GAL (l)	Entrée nominale Btu/h (en kW)
Recupération pour une hausse de 38 °C (100 °F) GAL/HR	74	135	76,000	155
Prod. de 1ère heure sur élévation de 38 °C (100 °F) en GAL (l)	74	135	76,000	155
A	76,88	135	76,88	155
B	67,25	135	67,25	155
C	26,00	68	26,00	68
D	60,00	68	60,00	68
E	28,19	72	28,19	72
F	16,00	41	16,00	41
G	11,00	28	11,00	28
Diam. du raccord d'entrée (NPT)	1,00	1,00	1,00	1,00
Diam. du raccord de sortie (NPT)	1,00	1,00	1,00	1,00
Diam. du raccord auxiliaire (NPT)	1,00	1,00	1,00	1,00
Poids à l'expédition LBS (kg)	427 (194)	427 (194)	530 (240)	530 (240)

Dans le cas des modèles au GLP, changez le suffixe « N » pour « GLP ».

Pression de fonctionnement : 1034 kPa (150 PSI)
Pression d'essai : 2 068 kPa (300 PSI)

Dans le cas du gaz naturel : Pression d'admission = 1,00 kPa (4 po CE); Plage de pression d'admission - 1,25 jusqu'à 3,49 kPa (5 à 14 po CE)
Dans le cas du gaz propane : Pression d'admission = 1,00 kPa (10 po CE); Plage de pression d'admission - 2,74 jusqu'à 3,49 kPa (11 à 14 po CE)

Valve de protection du traqueur

Tous les produits Bock respectent ou dépassent les normes actuelles de RA-SH-RAE

La conception de ces produits est homologuée par TUL (Underwriters Laboratories) et satisfait aux exigences ANSI Z21.10.3 / CSA 4.3 relative à une utilisation allant jusqu'à 82 °C (180 °F).
Utilisation approuvée en tant que chauffe-eau à ventilation directe et stockage automatique.

AVERTISSEMENT : Installez l'appareil conformément à l'ensemble des codes fédéraux et (ou) locaux. En l'absence de codes locaux, rappez-vous aux normes NFPA 54 et (ou) CSA B149.1.

MISE EN GARDE : Le réglage maximal recommandé de température de l'eau chaude pour un usage résidentiel typique est de 49 °C (120 °F). Bock recommande qu'une vanne de tempérage ou de mitigation soit installée et utilisée conformément aux directives du fabricant afin de prévenir les ébouillantes.

TABLE DES MATIÈRES

Partie I : Spécifications	4
Partie II : Généralités	5
Partie III : Avant l'installation	7
Partie IV : Installation	10
Partie V : Utilisation	30
Partie VI : Entretien	33
Partie VII : Dépannage	35
Partie VIII : Liste des pièces	37
Partie IX : Garantie	39

CONSERVEZ CES INSTRUCTIONS.

Le fait de ne pas installer correctement l'évent (tuyau de ventilation) et le système d'admission d'air de combustion ainsi que le décrit le présent manuel peut se solder par une utilisation non sécuritaire du chauffe-eau. Pour éviter les risques d'incendie, d'explosion ou d'asphyxie au monoxyde de carbone, ne faites jamais fonctionner ce chauffe-eau à moins qu'il ne soit correctement ventilé et allimé en air pour la combustion et la dilution des gaz de cheminée. Assurez-vous d'inspecter le système pour vérifier s'il est correctement installé avant sa mise en marche initiale, puis une fois par année subséquemment. Consultez le chapitre « Entretien » pour en savoir plus.

▲ DANGER

Les chauffe-eau au gaz de pétrole liquéfiés (GPL) diffèrent des modèles au gaz naturel. Un chauffe-eau au gaz naturel ne fonctionnera pas de façon sécuritaire avec du GPL (et vice-versa). Afin d'éviter les dommages à l'équipement, les blessures corporelles ou les incendies : NE RACCORDEZ PAS ce chauffe-eau à une source de gaz d'un type qui n'est pas conforme à l'étiquette. Ces appareils ne sont homologués que pour un seul type de carburant.

▲ DANGER

- N'entreposez ou n'utilisez pas d'essence ou d'autres vapeurs et liquides inflammables à proximité de ce chauffe-eau ou de tout autre appareil électroménager.
- QUOI FAIRE SI UNE ODEUR DE GAZ EST DÉCELÉE
- Ne mettez en marche aucun appareil.
- Ne touchez à aucun interrupteur électrique; n'utilisez aucun téléphone dans votre immeuble.
- Appelez immédiatement votre fournisseur de gaz à partir du téléphone d'un voisin. Suivez les consignes du fournisseur de gaz.
- Si vous ne pouvez joindre votre fournisseur de gaz, appelez le service d'incendie.
- L'installation et les réparations doivent être effectuées par un installateur qualifié, un service de réparation et d'entretien ou le fournisseur de gaz.

POUR VOTRE SÉCURITÉ!

Si les informations figurant aux présentes ne sont pas suivies à la lettre, un incendie ou une explosion peut survenir et entraîner des dommages matériels ou des blessures corporelles pouvant être mortelles.

▲ AVERTISSEMENT

CONSIGNES IMPORTANTES DE SÉCURITÉ

Au consommateur :
Veuillez lire et conserver les présentes ainsi que toutes les instructions concernant les composants pour consultation ultérieure.

À l'installateur :
Veuillez fixer ces instructions près du chauffe-eau.

Directives d'installation et d'utilisation

EZFIT Chauffe-eau au gaz à ventilation directe et à air pulsé

Modèles : EZ 75-76PDV, EZ 100-76PDV

Garantie, fiche d'enregistrement et liste des pièces comprises. Propriétaire de maison : N'oubliez pas de nous renvoyer la fiche d'inscription!



▲ AVERTISSEMENT

Une installation, un réglage, une modification, un entretien ou une réparation inadéquats du système peuvent entraîner des dommages corporels ou matériels graves. Consultez le présent manuel. Pour de l'aide ou des renseignements supplémentaires, consultez un installateur certifié ou un service de réparation et d'entretien.

▲ AVERTISSEMENT

Si les informations figurant aux présentes ne sont pas suivies à la lettre, un incendie ou une explosion peuvent survenir, pouvant entraîner des dommages matériels ou des blessures corporelles qui peuvent être mortelles.

▲ AVERTISSEMENT

L'installation doit respecter tous les codes en vigueur. En l'absence de tels codes, consultez les normes ANSI Z23.1/NFPA 54 et (ou) CSA B149.1.

▲ MISE EN GARDE

La température recommandée pour un usage résidentiel normal est de 49 °C (120 °F). La valeur indiquée par le cadran de l'aquastat ne correspond pas toujours à la température réelle de l'eau fournie et pourrait, à l'occasion, excéder les 49 °C (120 °F). Les variations de température de l'eau fournie peuvent être liées à certains facteurs dont notamment, mais non exclusivement, les habitudes d'utilisation et le type d'installation. Testez l'eau du robinet le plus près du chauffe-eau. Consultez la page 32 pour savoir comment mesurer la température de l'eau fournie.

▲ AVERTISSEMENT

L'eau brûlante accentue les risques de blessure par éboullissage. Avant de régler la température de l'eau, lisez le présent manuel d'instructions. Les températures pouvant entraîner des blessures varient selon l'âge de l'individu et la durée d'exposition. En raison de leurs réflexes plus lents, les enfants, les personnes âgées, aux prises avec des difficultés physiques ou ayant une déficience mentale sont plus susceptibles de s'ébouillanter. L'utilisation de températures moins élevées est recommandée dans un tel contexte. Lorsque de jeunes enfants ou des personnes handicapées sont présents, il est conseillé de régler la température à moins de 49 °C (120 °F) afin d'éviter tout contact accidentel avec l'eau brûlante. Pour abaisser la température sous les 49 °C (120 °F), utilisez des dispositifs de limitation de la température au point d'utilisation.

Si une eau plus chaude est nécessaire dans une certaine partie du réseau d'alimentation en eau, des dispositifs automatiques de limitation de la température doivent être posés sur chaque conduite menant aux robinets.

▲ AVERTISSEMENT

Des vapeurs inflammables provenant d'autres parties de la structure peuvent être attirées vers ce chauffe-eau, transportées par des courants d'air. N'entrez pas ou n'utilisez aucun liquide inflammable à proximité de ce chauffe-eau.

▲ AVERTISSEMENT

Les ouvertures de chauffe-eau peuvent nuire à la circulation de l'air vers le chauffe-eau et causer un incendie, l'asphyxie, des blessures corporelles ou la mort.

LE PRÉSENT MANUEL A ÉTÉ PRÉPARÉ POUR VOUS FAMILIARISER AVEC L'INSTALLATION, L'UTILISATION ET L'ENTRETIEN DE VOTRE CHAUFFE-EAU ET VOUS FOURNIR D'IMPORTANTS RENSEIGNEMENTS SUR LA SÉCURITÉ.

Lisez toutes les directives en détail avant d'essayer d'installer ou d'utiliser votre chauffe-eau. Conservez ces directives pour consultation ultérieure.

Les Codes locaux de plomberie et d'électricité doivent être suivis lors de l'installation de ce chauffe-eau. En l'absence d'un code local, utilisez le UNIFORM PLUMBING CODE et le Code de la NFPA. Les codes locaux peuvent remplacer les instructions figurant aux présentes.

Ces directives constituent un guide pour l'installation appropriée du chauffe-eau. Le fabricant ne sera pas responsable des dommages causés par une installation et une utilisation non conformes aux directives figurant aux pages suivantes.

L'installation, l'essai et le remplacement des conduites de gaz, des appareils ou des accessoires, ainsi que la réparation et l'entretien de l'équipement, devront être effectués par un service qualifié.

NE PAS TENIR COMPTE DE CES DIRECTIVES OU DES RÈGLEMENTS DE LA CONSTRUCTION EN VIGUEUR AURA POUR EFFET D'ANNULER LA GARANTIE DE CE CHAUFFE-EAU.

